



4700 W. 160th St.
Cleveland, OH 44135
1-800-321-9532
1-800-321-9535
www.oatey.com

TECHNICAL SPECIFICATION

TRUE SET™ COMMERCIAL
LEVELING KIT

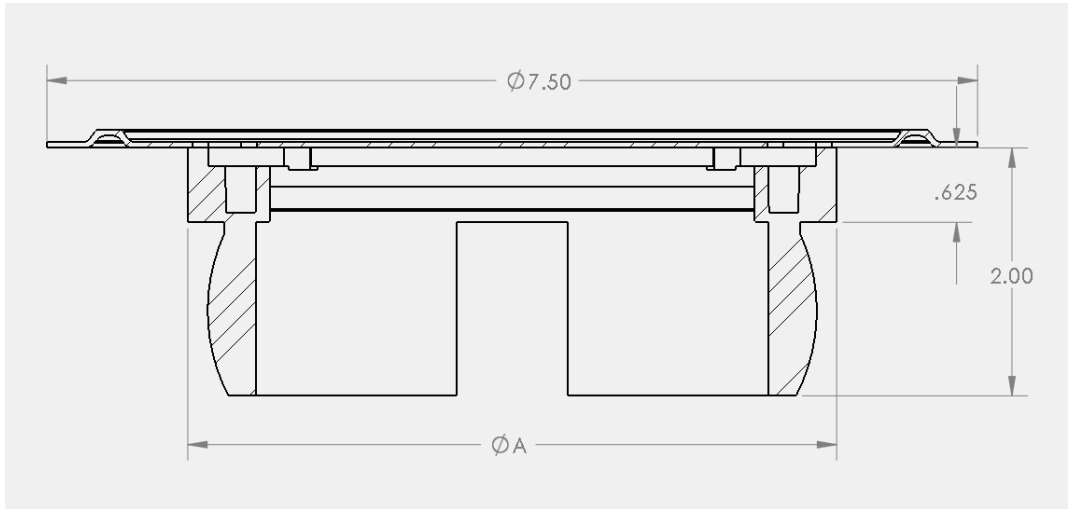


TECHNICAL SPECIFICATION: Oatey's True Set™ commercial leveling kits are used for leveling the strainer with the top of the concrete or finished floor in commercial applications. The leveling kits can only be used with Oatey True Set drains and are used once the finished floor is completed.

*ALL DIMENSIONS
IN INCHES

*ALL PVC
DIMENSIONS AND
MATERIALS MEET
ASTM D2665

*ALL ABS
DIMENSIONS AND
MATERIALS MEET
ASTM D2661



P/N	DESCRIPTION	A	MATERIAL	✓
TP5KIT	5" SW PVC True-Set Leveling Kit	5.25"	PVC	
TP6KIT	6" SW PVC True-Set Leveling Kit	6.20"	PVC	
TA5KIT	5" SW ABS True-Set Leveling Kit	5.25"	ABS	
TA6KIT	6" SW ABS True-Set Leveling Kit	6.20"	ABS	