



Z5220

19" x 16" Undermount Lavatory

TAG _____

Architectural/Engineering Specification:

19" x 16" vitreous china undermount lavatory.

Product Features:

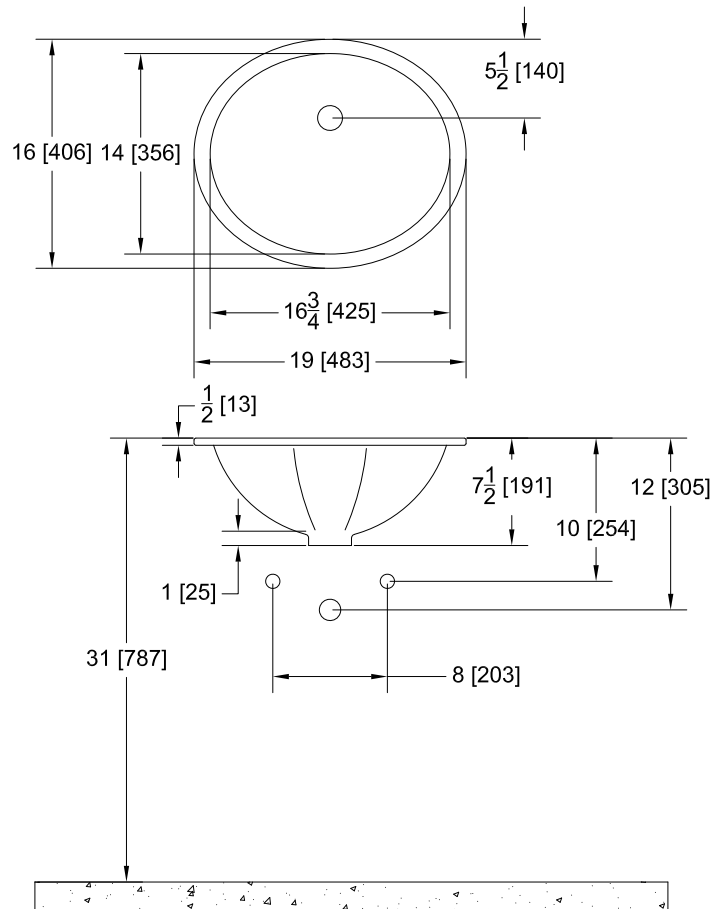
- 19" [483 mm] x 16" [406 mm]
- Vitreous china
- Rimless oval design for undermount installation
- Front overflow
- Waste: 1-1/4" O.D.
- Depth: 5"
- Shipping Weight: 22 lbs.

Recommended Trim:

- Z8743-PC Grid Strainer
- Z8700 Series P-Trap
- Z8800 Series Top with Flexible Supplies
- Z8946-1-NT ADA Trap, Stop, and Supply Protectors

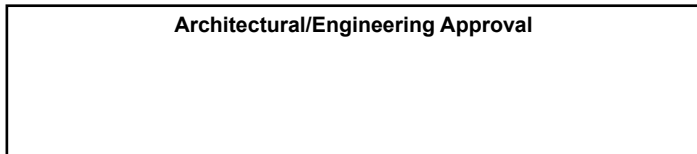
Optional Trim:

- Z8746-PC ADA Grid Strainer
- Z8946-3-NT ADA Trap, Stop, and Supply Protectors for Offset Grid Strainer



Rough-in/Overview dimensions for Z5220 Series

See Zurn One Systems for suggested packages.



The information contained in this document is subject to change without notice. Please contact Zurn for most up to date information.

Compliance and Certification:

- ADA Compliant



Meets the American Disabilities Guidelines and ANSI A117.1 requirements when installed 34"[84mm] from finished floor. Fixture dimensions meet ASME A112.19.2/CSA B45.1 requirements. In Canada - Consult local codes and standards.

