



# Commercial Super-Capacity Dryer

With 100 years of experience in the industry and features that streamline service, Whirlpool® Commercial Laundry machines provide performance with the quality you expect.

Featuring Factory-Installed Coin Drop and Coin Box

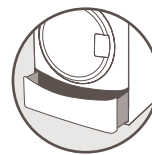
## Commercial-Grade Features:

Choose a commercial-built product that withstands heavy traffic, regular use, and performs continuously.



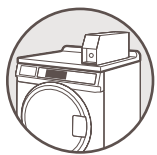
### Microprocessor Controls

Owners can customize vend prices, while end users can easily select the cycle that best fits their needs.



### Front-Access Panel

Provides quick entry to the motor, transmission, and wash tub for service.



### Porcelain-Enamel Top

The premium porcelain-enamel top and lid possess a quality finish that lends to the machine's longevity.



### Extra-Large Capacity

The extra-large, 6.7-cu.-ft. capacity means loads from small to large can be dried efficiently and effectively.

## CED9150GW—27" Commercial Electric Dryer CGD9150GW—27" Commercial Gas Dryer

- 6.7-cu.-ft. Drum Capacity
- Large Lint Screen (84 sq. in.)
- 1/3-HP Motor
- Electric Heating Element at 5600 Watts
- Reversible Door with Heavy-Duty Die-Cast Hinges

- Front Service Accessibility
- Factory Coin Drop and Coin Box Equipped
- 90-Day Labor/2-Year Limited Parts Only Warranty\*

\*See [whirlpoolcommerciallaundry.com](http://whirlpoolcommerciallaundry.com) for complete warranty details.

# Commercial Super-Capacity Dryer

Featuring Factory-Installed Coin Drop and Coin Box



## Dryer Specifications

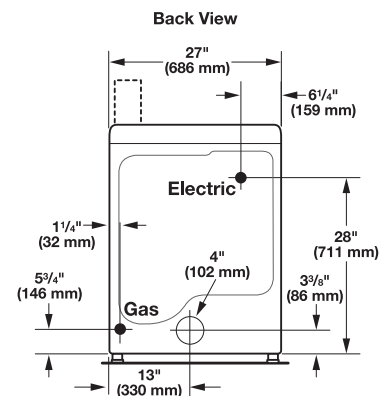
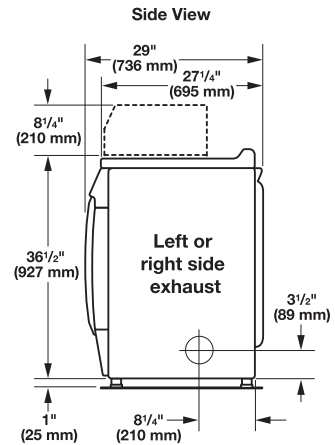
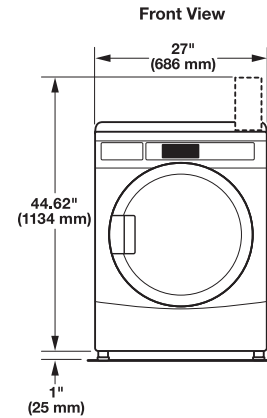
<b>Model</b>	CED9150GW (Electric) CGD9150GW (Gas)
<b>Motor Size—HP (kw)</b>	1/3 (.25)
<b>Electric Heating Element (Watts) Domestic/Canada</b>	5,600
<b>Gas Rating—BTU/hr. (kcal/hr.)</b>	22,000
<b>Gas Inlet Size</b>	3/8 N.P.T.
<b>Capacity</b>	
Cylinder volume—cu. ft. (liters)	6.7 (190)
Cylinder diameter—in. (mm)	26.25 (667)
Cylinder depth—in. (mm)	20.5 (521)
<b>Dimensions</b>	
Width—in. (mm)	27 (686)
Depth—in. (mm)	29 (736)
Height—in. (mm)	44.62 (1,134)*
Door opening—in. (mm)	18.25 (464)
Exhaust duct diameter—in. (mm)	4 (100)**
<b>Crated Dimensions</b>	
Width—in. (mm)	29.5 (749)
Depth—in. (mm)	31 (787)
Height—in. (mm)	46.5 (1,181)
<b>Approximate Weight</b>	
Uncrated—lbs. (kg) CED/CGD model	147 (67)/150 (68)
Crated—lbs. (kg) CED/CGD model	160 (73)/163 (74)
<b>Electrical Requirements</b>	
CED model voltage/HZ—CGD model voltage/HZ	240V/60HZ—120V/60HZ
Breaker/Fuse—amps CED/CGD model	30/15
<b>Warranty</b>	2-Year Limited/90-Day Labor

\*Includes height of metercase.

\*\*Use 4" (100 mm) diameter rigid aluminum or galvanized steel duct. Never use plastic, non-metal or combustible duct.

Dimensions are for planning purposes only. See specific instructions for proper installation. Because of continuous product improvement, Whirlpool reserves the right to change specifications without notice.

ADA-compliant.



## 2-YEAR LIMITED PARTS ONLY WARRANTY/90-DAY LABOR

For 90 days from the date of original purchase, when this commercial appliance is installed, maintained and operated according to instructions attached to or furnished with the product, Whirlpool Corporation (hereafter "Whirlpool") will pay for factory-specified replacement parts and repair labor to correct defects in materials or workmanship that existed when this commercial appliance was purchased. For the first two years from the date of purchase, when this major appliance is installed, maintained and operated according to the instructions attached to or furnished with the product, Whirlpool will pay for factory-specified replacement parts to correct defects in materials or workmanship that existed when this commercial appliance was purchased.