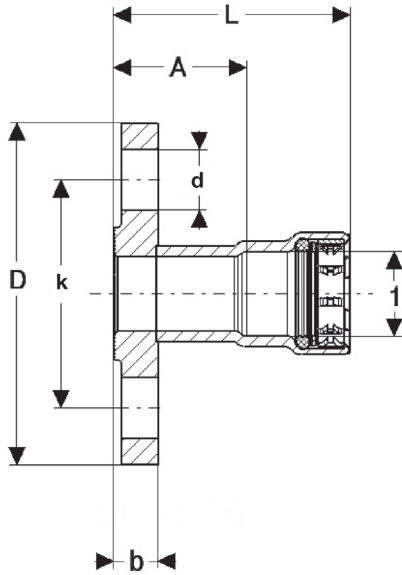


# Submittal Package

**viega**

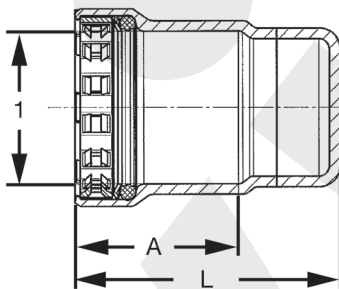


## Steel Flange x P - Models 4859.5 / 6659.5



Part No.		Size	A (in)	L (in)	b (in)	k (in)	D (in)	d (in)
MegaPress	MegaPressG	1						
25760	25761	1/2"	1 3/8	2 7/16	7/16	2 3/8	3 9/16	5/8
25765	25766	3/4"	1 1/2	2 5/8	1/2	2 3/4	3 15/16	5/8
25770	25771	1"	1 5/8	2 15/16	9/16	3 1/8	4 5/16	5/8
25775	25776	1 1/4"	1 3/4	3 9/16	5/8	3 1/2	4 1/2	5/8
25780	25781	1 1/2"	1 15/16	3 13/16	11/16	3 7/8	4 15/16	5/8
25785	25786	2"	1 15/16	3 7/8	3/4	4 3/4	5 7/8	3/4

## Steel Cap x P - Models 4856 / 6656



Part No.		Size	A (in)	L (in)
MegaPress	MegaPressG	1		
25730	25731	1/2"	1 1/16	2 1/8
25735	25736	3/4"	1 1/8	2 1/4
25740	25741	1"	1 5/16	2 7/16
25745	25746	1 1/4"	1 13/16	2 15/16
25750	25751	1 1/2"	1 7/8	3 1/16
25755	25756	2"	2	3 1/8