



4700 W. 160th St.
Cleveland, OH 44135
PH: 800-321-9532
FX: 800-321-9535
www.oatey.com

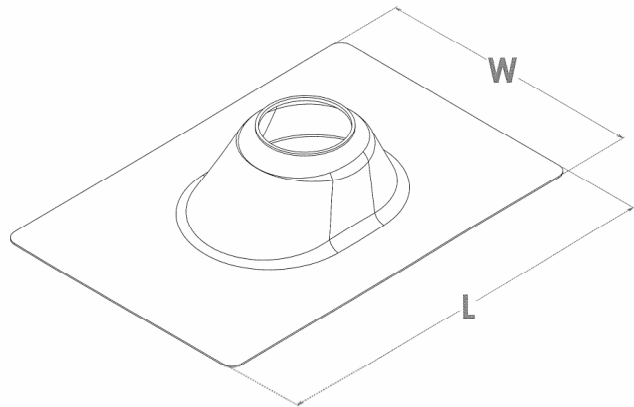
TECHNICAL SPECIFICATION

**FLEX-FLASH™
ROOF FLASHINGS**



Engineering Specification: Oatey Flex-Flash Roof Flashings can be used in commercial and residential applications where a watertight seal for roof penetrations around the plumbing vent pipe is required.

Job Reference



(All dimensions in inches)

- ◆ Roof Flashing slides over vent pipe for pitch to 45°
- ◆ Flexible base conforms to most flat or contoured roof surfaces including clay tile
- ◆ Non-fading sealing collar
- ◆ Approved for Type B installations
- ◆ Not for hot-mopped or built-up roofs
- ◆ Do not use paint or petroleum based products on Flex-Flash product

✓	Product No.	Description	Length (L)	Width (W)	PACK	CARTON WEIGHT
	14009	1-1/4" - 1-1/2" Flex-Flash Roof Flashing	11-1/4	9	12	6 lbs.
	14012	2" Flex-Flash Roof Flashing	11-1/4	9	12	6 lbs.
	14025*	2-1/2" Flex-Flash Roof Flashing	11-1/4	9	12	7 lbs.
	14038	3" Flex-Flash Roof Flashing	13-1/4	10	12	9 lbs.
	14041	4" Flex-Flex Roof Flashing	14	11-1/2	12	13 lbs.



IAPMO Listed
*excludes #14025



Data is subject to manufacturing tolerances.