



4675 W. 160th St.
Cleveland, Ohio 44135
Ph: (800) 321-9532
Fax: (800) 321-9535
www.dearbornbrass.com

SUBMITTAL SPECIFICATION

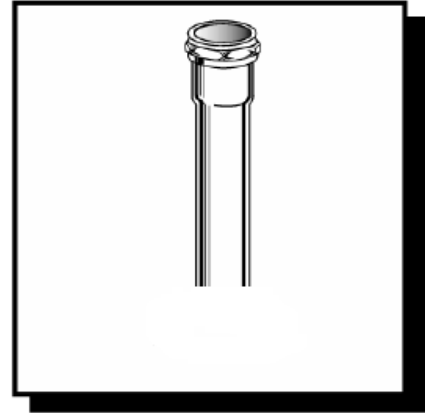
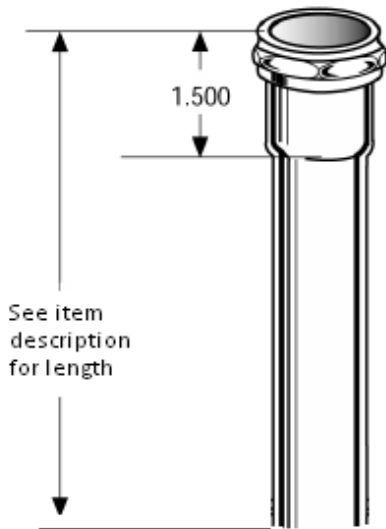
**BRASS TUBULAR
1-½" EXTENSION TUBES
WITH SLIP JOINT CONNECTION**

Engineering Specification: Dearborn Brass 1-½" Brass Tubular Extension Tubes with Slip Joint Connection are designed for use in tubular drain applications. Available in 17, 20 or Budget Gauge Brass. Options include Brass Nuts, Unfinished Brass and various tube lengths.

Job Reference

DESCRIPTION

- Chrome or Rough Brass Finish
- Extension Tube with Slip Joint Connection
 - Extension Tube
 - (1) Nut
 - (1) Washer



✓	Product No.	Description	Carton Quantity	Carton Weight (lbs)
	792-1	1-½" x 6" Extension Tube w/Slip Joint – Budget Gauge	10	3
	792A-1	1-½" x 8" Extension Tube w/Slip Joint – Budget Gauge	10	4
	793A-1	1-½" x 12" Extension Tube w/Slip Joint – Budget Gauge	10	5
	792-20-1	1-½" x 6" Extension Tube w/Slip Joint – 20 Gauge	10	4
	792A-20-1	1-½" x 8" Extension Tube w/Slip Joint – 20 Gauge	10	5
	792A-20BN-1	1-½" x 8" Extension Tube w/Slip Joint – 20 Gauge with Brass Nut	10	5
	793A-20-1	1-½" x 12" Extension Tube w/Slip Joint – 20 Gauge	10	6
	793A-20BN-1	1-½" x 12" Extension Tube w/Slip Joint – 20 Gauge with Brass Nut	10	6
	793A-20BN-3	1-½" x 12" Extension Tube w/Slip Joint – 20 Gauge with Brass Nut – Unfinished Brass	10	6
	792-17-1	1-½" x 6" Extension Tube w/Slip Joint – 17 Gauge	10	4
	792A-17-1	1-½" x 8" Extension Tube w/Slip Joint – 17 Gauge	10	6
	792A-17BN-1	1-½" x 8" Extension Tube w/Slip Joint – 17 Gauge with Brass Nut	10	6
	793A-17-1	1-½" x 12" Extension Tube w/Slip Joint – 17 Gauge	10	8
	793A-17BN-1	1-½" x 12" Extension Tube w/Slip Joint – 17 Gauge with Brass Nut	10	8
	793A-17BN-3	1-½" x 12" Extension Tube w/Slip Joint – 17 Gauge with Brass Nut – Unfinished Brass	10	8
	794-17BN-1	1-½" x 24" Extension Tube w/Slip Joint – 17 Gauge with Brass Nut and Shallow Escutcheon Flange	10	14

Data is subject to manufacturing tolerances.