

**MAYTAG<sup>®</sup>**

## TECHNICAL SPECIFICATIONS

*Model PGC2T (A and K) Series*

iSEER<sup>®</sup>

SmartStart<sup>®</sup>

iQ  
Drive<sup>®</sup>  
READY



M1200 Product Line

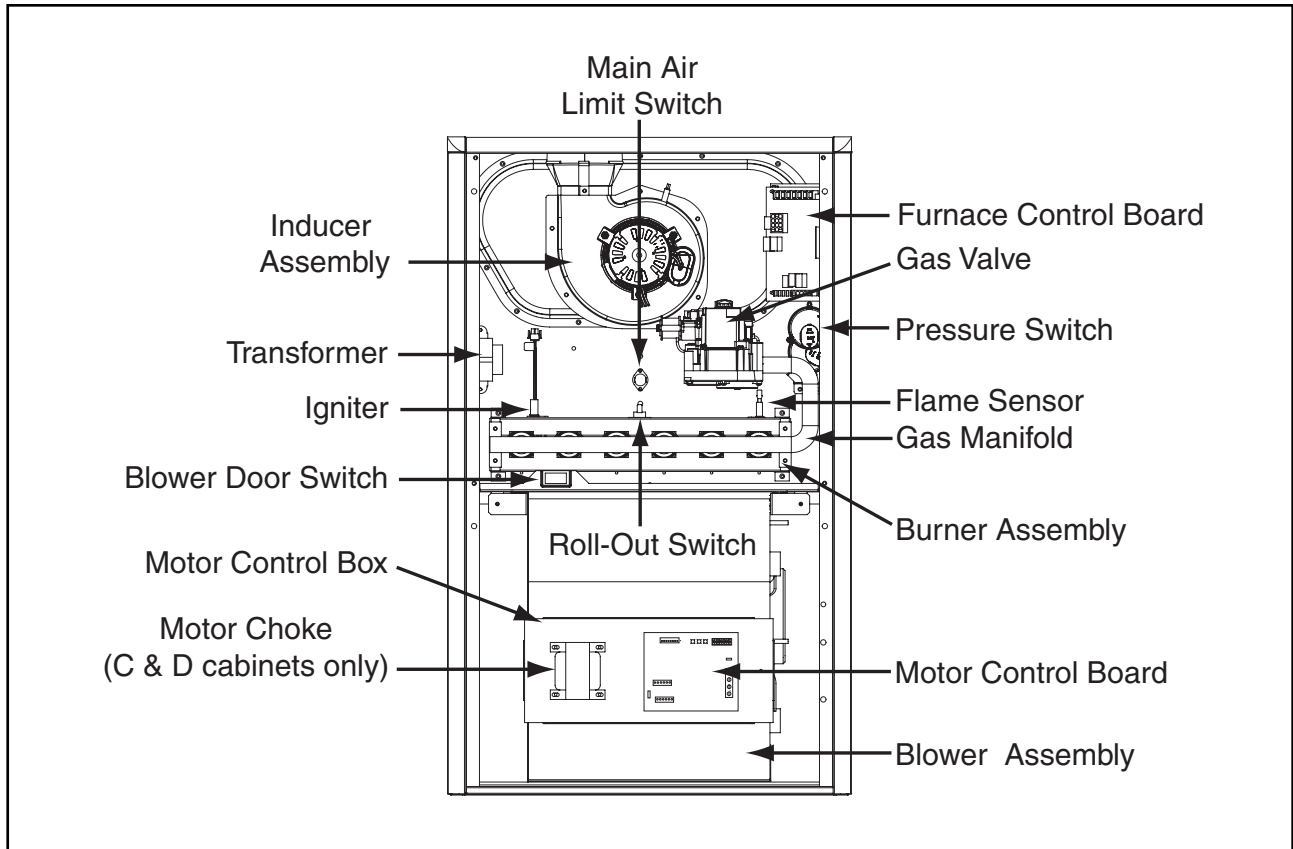
**Two Stage, Variable Speed, High Efficiency  
Upflow/Horizontal and Downflow  
Gas Furnaces 80+ AFUE Input 60,000-140,000 Btuh**

The high efficiency gas furnace may be installed free standing in a utility room, basement, or enclosed in an alcove or closet. The rounded corner jacket provides a pleasing “appliance appearance.” Design certified by CSA for Canada and the United States.

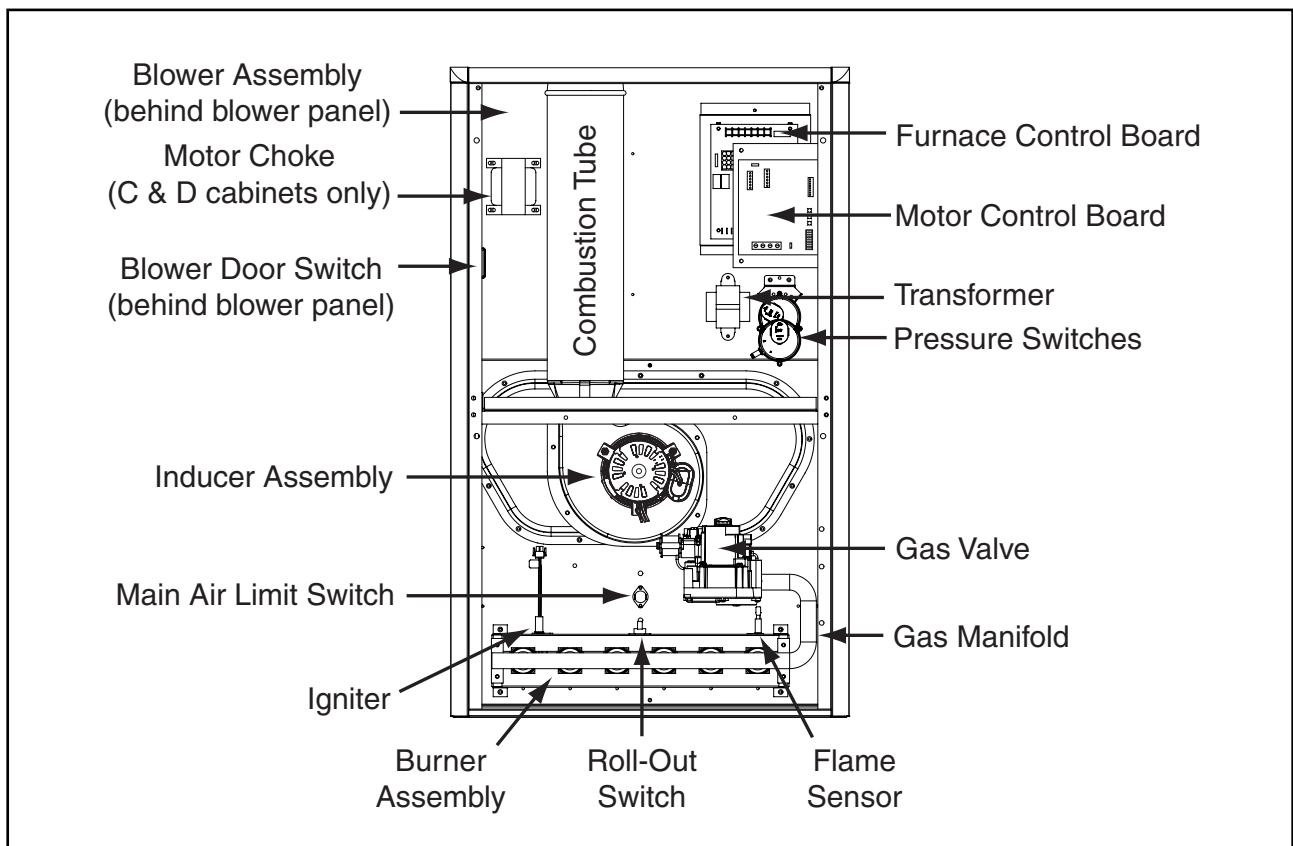
## Features and Benefits

- **iSEER™**: Energy efficient brushless DC (ECM) motor gives up to 1 SEER point efficiency gain in cooling.
- **Two Stage Inducer**: Optimizes efficiency on first stage heat and reduces sound levels.
- **100% fired and tested**: All units and each component are tested on the manufacturing line.
- **Best packaging in the industry**: Unique corner post design assures product will arrive to the homeowner dent free.
- **Low Boy Height**: Easy to apply in low ceiling applications, works well with taller high SEER coils, easier to handle and install.
- **Tubular primary heat exchanger**: Heavy gauge aluminized steel heat exchanger assures a long life.
- **30 second blower delay at start-up**: Assures a warm duct temperature at furnace start-up. Adjustable blower off settings (60, 90, 120 and 180 seconds).
- **30 second post purge**: Increases life of heat exchanger.
- **Hot surface igniter**: Innovative application of an appliance type igniter with a 20 year history of reliability. Utilizes proven SmartStart® technology.
- **Color coded wire harness**: Designed to fit the components, all with quick-connect fittings for ease of service and replacement.
- **High static blowers**: All models equipped with high static blowers.
- **90 second cooling cycle blower-off delay (TDR)**: Increases cooling performance when matched with a Nortek Global HVAC coil.
- **Flexible category I venting system**: May be vented with dedicated venting system or common vented with other category one appliances.
- **LP convertible**: Simple burner orifice and regulator spring change for ease of convertibility.
- **Diagnostic lights for easy troubleshooting without counting flashes**: Dedicated light for flame signal strength and 2 lights in combination to indicate all other fault codes with easy to recognize states without counting flashes.
- **Integrated control board**: Incorporates connections for electronic air cleaner and humidifier.
- **Two piece door design**: Enhances furnace appearance and uses captured screws to prevent losing door screws.
- **Blower Compartment**: Insulated for ultra quiet operation.
- **Furnace Air Leakage**: These furnaces comply with Energy Star cabinet air leakage requirement of less than or equal to 2%. Keep the conditioned air flowing to where it's needed.

# GAS FURNACE COMPONENTS



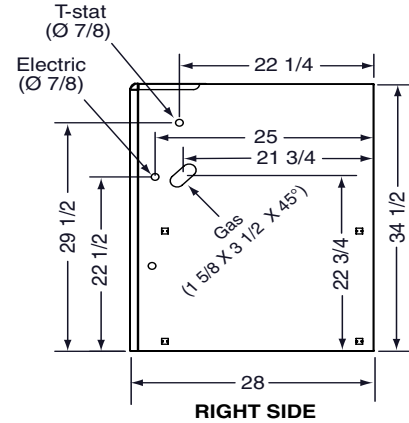
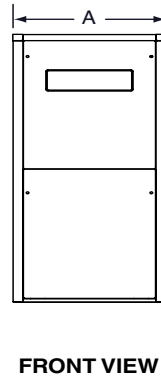
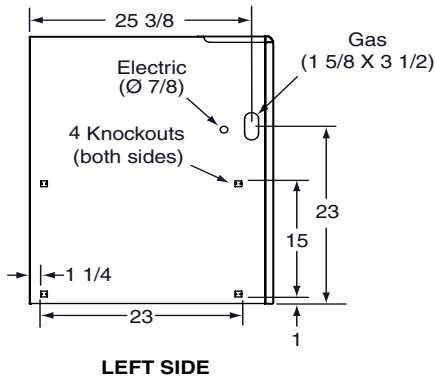
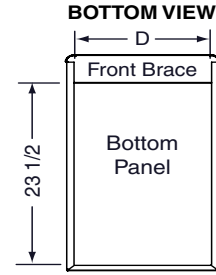
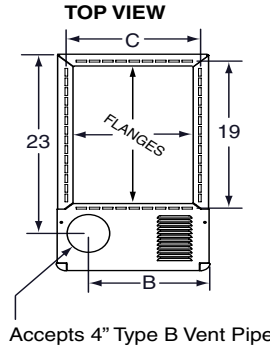
**Upflow/Horizontal Gas Furnace**



**Downflow Gas Furnace**

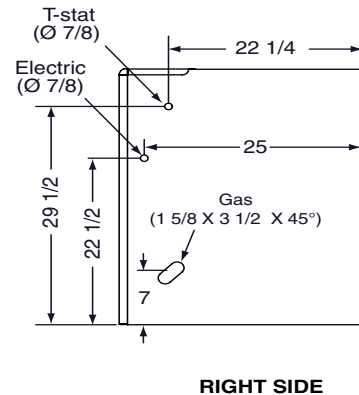
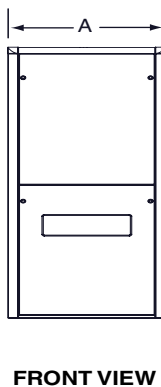
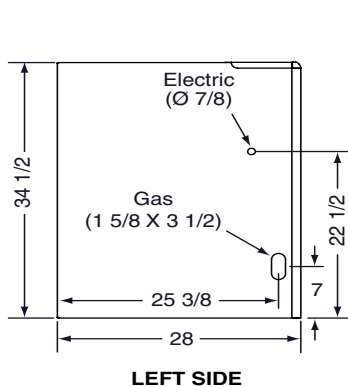
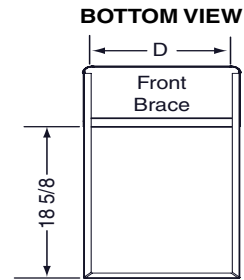
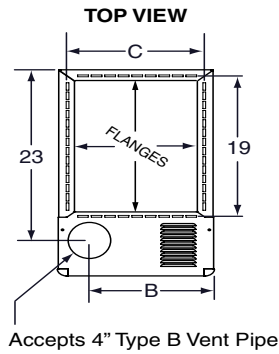
# DIMENSIONS

*TA Model #'s	Dimension "A"	Dimension "B"	Dimension "C"	Dimension "D"
060-VA1	14 1/4	10 3/4	12 5/8	12 7/8
080-VB1	17 1/2	11 3/4	15 7/8	16 1/8
100-VC1	21	14	19 3/8	19 5/8
120-VC1			19 3/8	19 5/8
140-VD1	24 1/2	15 1/4	22 7/8	23 1/8



## PGC2TA 80+ High Efficiency Upflow/Horizontal Series

*TK Model #'s	Dimension "A"	Dimension "B"	Dimension "C"	Dimension "D"
060-VA1	14 1/4	10 3/4	12 5/8	12 7/8
080-VB1	17 1/2	11 3/4	15 7/8	16 1/8
100-VC1	21	14	19 3/8	19 5/8
120-VC1			19 3/8	19 5/8



## PGC2TK 80+ High Efficiency Downflow Series

# BLOWER PERFORMANCE PGC2TA/TK

## Nominal Heating Airflows (CFM) and Temperature Rise (°F)

A Cabinet				*TA/TK-060(-)VA1 Models		
Switch Settings HEAT				Input (BTU) 60000		
A/B	2	3	4	CFM	Temp Rise (°F)	
0	0	0	0	640	69	
0	0	0	1	720	62	
0	0	1	0	800	56	
0	0	1	1	880	51	
0	1	0	0	960	46	
0	1	0	1	1040	43	
0	1	1	0	1120	40	
0	1	1	1	1200	37	

B Cabinet				*TA/TK-080(-)VB1 Models		
Switch Settings HEAT				Input (BTU) 80000		
A/B	2	3	4	CFM	Temp Rise (°F)	
1	0	0	0	1000	59	
1	0	0	1	1100	54	
1	0	1	0	1200	49	
1	0	1	1	1300	46	
1	1	0	0	1400	42	
1	1	0	1	1500	40	
1	1	1	0	1600	37	
1	1	1	1	1700	35	

C Cabinet				*TA/TK-100(-)VC1 Models			*TA/TK-120(-)VC1 Models		
Switch Settings HEAT				Input (BTU) 100000			Input (BTU) 120000		
A/B	2	3	4	CFM	Temp Rise (°F)		CFM	Temp Rise (°F)	
#	0	0	0	1000	-		1000	-	
#	0	0	1	1115	-		1115	-	
#	0	1	0	1230	60		1230	-	
#	0	1	1	1345	55		1345	66	
#	1	0	0	1460	51		1460	61	
#	1	0	1	1575	47		1575	56	
#	1	1	0	1690	44		1690	53	
#	1	1	1	1805	41		1805	49	

D Cabinet				*TA-140(-)VD1 Model		
Switch Settings HEAT				Input (BTU) 140000		
A/B	2	3	4	CFM	Temp Rise (°F)	
#	0	0	0	1500	69	
#	0	0	1	1615	64	
#	0	1	0	1730	60	
#	0	1	1	1845	56	
#	1	0	0	1960	53	
#	1	0	1	2075	50	
#	1	1	0	2190	47	
#	1	1	1	2305	45	

# Switch not used - can be 0 or 1

**Notes:**

- Two openings are required for airflows above 1600 CFM if the filter(s) is (are) adjacent to the furnace.
- Temperature rises in the table are approximate. Actual temperature rises may vary.
- Temperature rises that are shaded in grey are not recommended.
- The blower operating range is .1" to .8" ESP in wc.

# COOLING AIRFLOWS

"A" CABINET									
Switch Settings (0 = OFF, 1 = ON)					CFM		Nominal A/C & HP Capacity		
HEAT		COOL			LOW	HIGH			
1-4	5	6	7	8					
0	0	0	0	0	350	525	3 TON 2.5 TON 2 TON 1.5 TON		
0	0	0	0	1	390	580			
0	0	0	1	0	425	635			
0	0	0	1	1	460	690			
0	0	1	0	0	500	745			
0	0	1	0	1	535	800			
0	0	1	1	0	575	855			
0	0	1	1	1	610	910			
0	1	0	0	0	645	965			
0	1	0	0	1	685	1020			
0	1	0	1	0	720	1075			
0	1	0	1	1	755	1130			
0	1	1	0	0	795	1185			
0	1	1	0	1	830	1240			
0	1	1	1	0	870	1295			
0	1	1	1	1	905	1350			

"B" CABINET									
Switch Settings (0 = OFF, 1 = ON)					CFM		Nominal A/C & HP Capacity		
HEAT		COOL			LOW	HIGH			
1-4	5	6	7	8					
1	0	0	0	0	470	700	3.5 TON 3 TON 2.5 TON 2 TON		
1	0	0	0	1	510	760			
1	0	0	1	0	550	820			
1	0	0	1	1	590	880			
1	0	1	0	0	630	940			
1	0	1	0	1	670	1000			
1	0	1	1	0	710	1060			
1	0	1	1	1	750	1120			
1	1	0	0	0	790	1180			
1	1	0	0	1	830	1240			
1	1	0	1	0	870	1300			
1	1	0	1	1	910	1360			
1	1	1	0	0	950	1420			
1	1	1	0	1	990	1480			
1	1	1	1	0	1030	1540			
1	1	1	1	1	1070	1600			

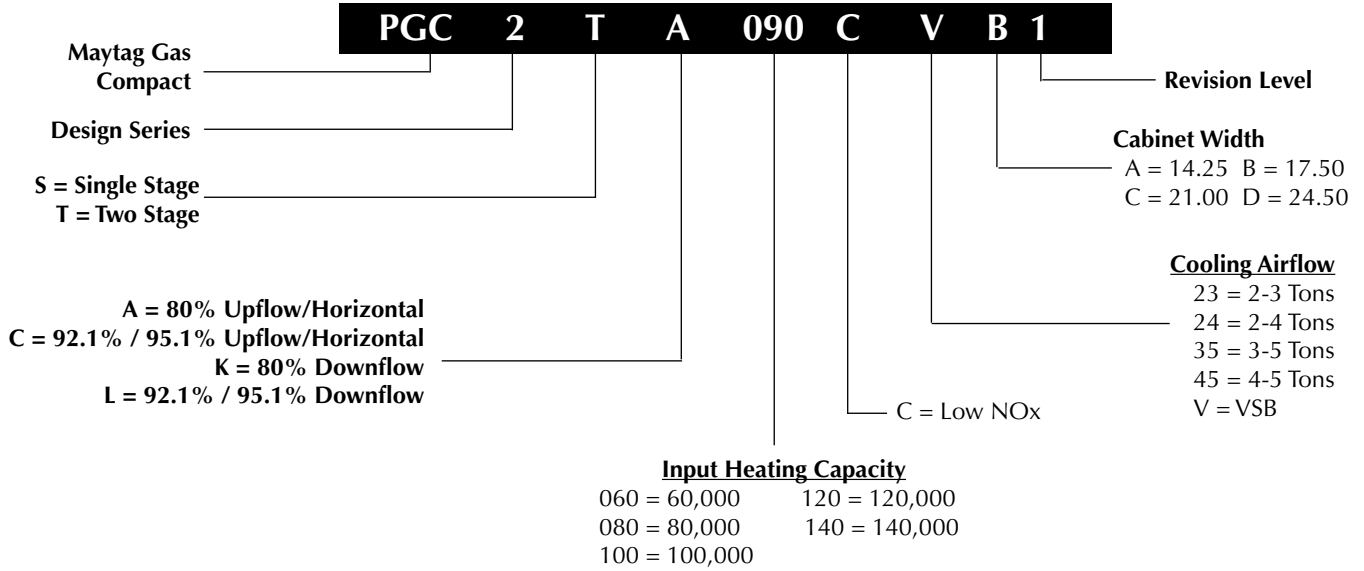
"C" CABINET									
Switch Settings (0 = OFF, 1 = ON)					CFM		Nominal A/C & HP Capacity		
HEAT		COOL			LOW	HIGH			
1-4	5	6	7	8					
#	0	0	0	0	685	1025	5 TON 4 TON 3.5 TON 3 TON 2.5 TON		
#	0	0	0	1	730	1090			
#	0	0	1	0	775	1155			
#	0	0	1	1	815	1220			
#	0	1	0	0	860	1285			
#	0	1	0	1	905	1350			
#	0	1	1	0	950	1415			
#	0	1	1	1	990	1480			
#	1	0	0	0	1035	1545			
#	1	0	0	1	1080	1610			
#	1	0	1	0	1120	1675			
#	1	0	1	1	1165	1740			
#	1	1	0	0	1210	1805			
#	1	1	0	1	1255	1870			
#	1	1	1	0	1295	1935			
#	1	1	1	1	1340	2000			

# Switch not used - can be 0 or 1

"D" CABINET									
Switch Settings (0 = OFF, 1 = ON)					CFM		Nominal A/C & HP Capacity		
HEAT		COOL			LOW	HIGH			
1-4	5	6	7	8					
#	0	0	0	0	940	1400	5 TON 4 TON 3.5 TON		
#	0	0	0	1	965	1440			
#	0	0	1	0	990	1480			
#	0	0	1	1	1020	1520			
#	0	1	0	0	1045	1560			
#	0	1	0	1	1070	1600			
#	0	1	1	0	1100	1640			
#	0	1	1	1	1125	1680			
#	1	0	0	0	1150	1720			
#	1	0	0	1	1180	1760			
#	1	0	1	0	1205	1800			
#	1	0	1	1	1235	1840			
#	1	1	0	0	1260	1880			
#	1	1	0	1	1285	1920			
#	1	1	1	0	1315	1960			
#	1	1	1	1	1340	2000			

# Switch not used - can be 0 or 1

# IDENTIFICATION CODE



# SPECIFICATIONS

PGC2TA/TK MODEL NUMBERS	060C-VA1	080C-VB1	100C-VC1	120*-VC1	140*-VD1
Input - Btuh (a)	60,000 / 39,000	80,000 / 52,000	100,000 / 65,000	120,000 / 78,000	140,000 / 91,000
Heating Capacity - Btuh	48,000 / 31,200	64,000 / 41,600	80,000 / 52,000	96,000 / 62,400	112,000 / 72,800
<b>AFUE</b>	80.0	80.0	80.0	80.0	80.0
Blower D x W	10 x 6	11 x 8	11 x 10	11 x 10	11 x 10
Motor H.P. - Speed - Type	1/2 - Variable	1/2 - Variable	3/4 - Variable	3/4 - Variable	1 - Variable
Motor FLA	6.2	6.2	8.7	8.7	11.7
Rated Ext. SP - In. W.C.	0.5	0.5	0.5	0.5	0.5
Temperature Rise Range - °F	25-55	30-60	35-65	35-65	40-70
Shipping Weights	115lbs	110lbs	125lbs	135lbs	155lbs

All models are 115 V, 60 HZ. Gas connections are 1/2" N.P.T.  
 AFUE= Annual Fuel Utilization Efficiency

# ACCESSORIES

PGC2TA/TK KITS	
Description	SKU
"A" Cabinet Downflow Sub Base Kit	902974
"B", "C", "D" Cabinet Downflow Sub Base Kit	904911
U.S. LP Conversion Kit (0 to 10,000 ft.)	905028
Canada LP Conversion Kit (0 to 4,500 ft.)	905029
Bottom Return Filter 20 per Box, "B" Cabinet	904916
Bottom Return Filter 20 per Box, "D" Cabinet	904918
Side Return Filter Kit	541036



We Encourage Professionalism



Through Technician Certification by NATE

**MAYTAG**

Before purchasing this appliance, read important energy cost and efficiency information available from your retailer. Specifications and illustrations subject to change without notice and without incurring obligations.

Manufactured under license by Nortek Global HVAC, LLC, O'Fallon, MO. ®Registered Trademark/™ Trademark of Maytag Corporation or its related companies. © Nortek Global HVAC, LLC 2017. All rights reserved.

846C-0617 (Replaces 846C-0816)

Printed in U.S.A. (06/17)