

MAYTAG®

TECHNICAL SPECIFICATIONS

Model PGC2T (A and K) Series

iSEER®

SmartStart®



M1200 Product Line

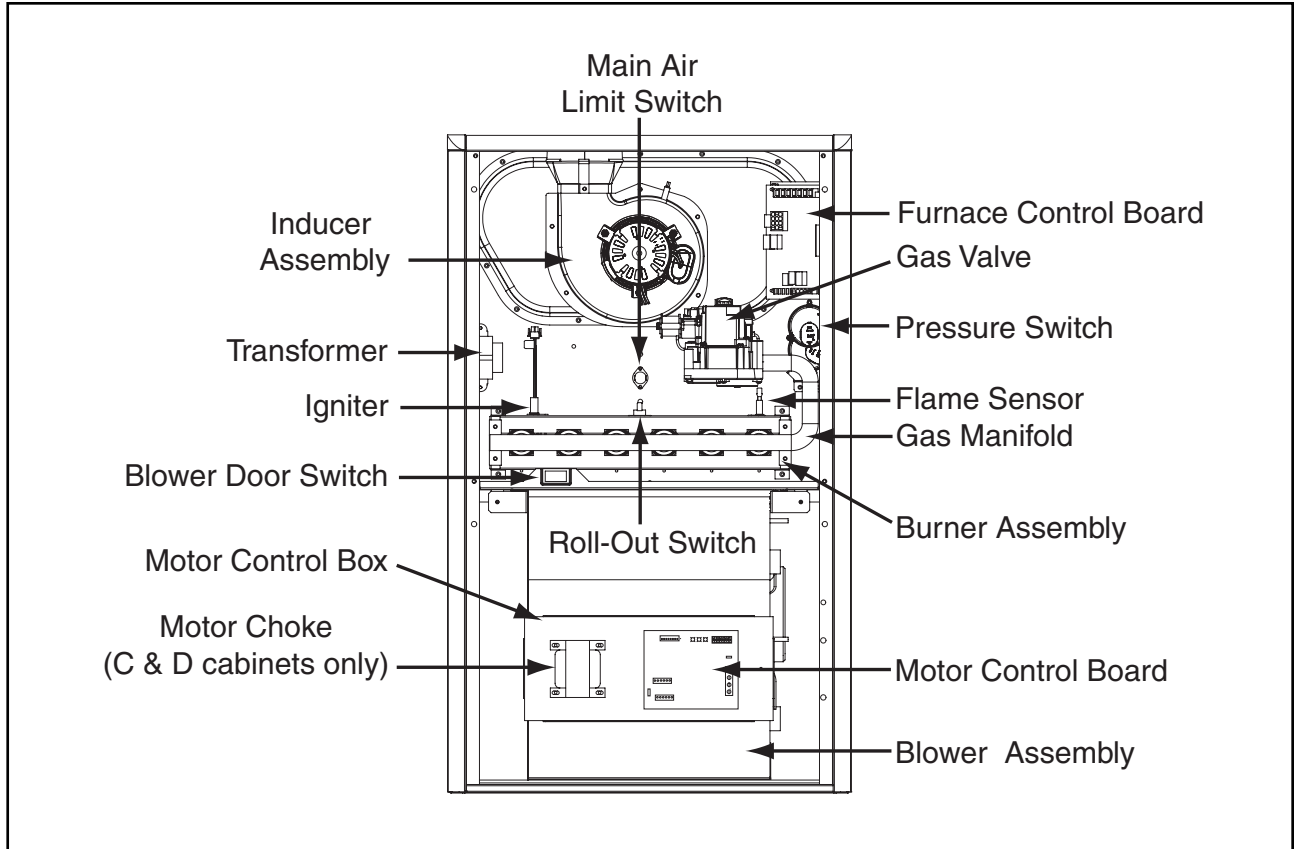
**Two Stage, Fixed Speed, High Efficiency
Upflow/Horizontal and Downflow Gas Furnaces
80+ AFUE Input 60,000-140,000 Btuh**

The high efficiency gas furnace may be installed free standing in a utility room, basement, or enclosed in an alcove or closet. The rounded corner jacket provides a pleasing “appliance appearance.” Design certified by CSA for Canada and the United States.

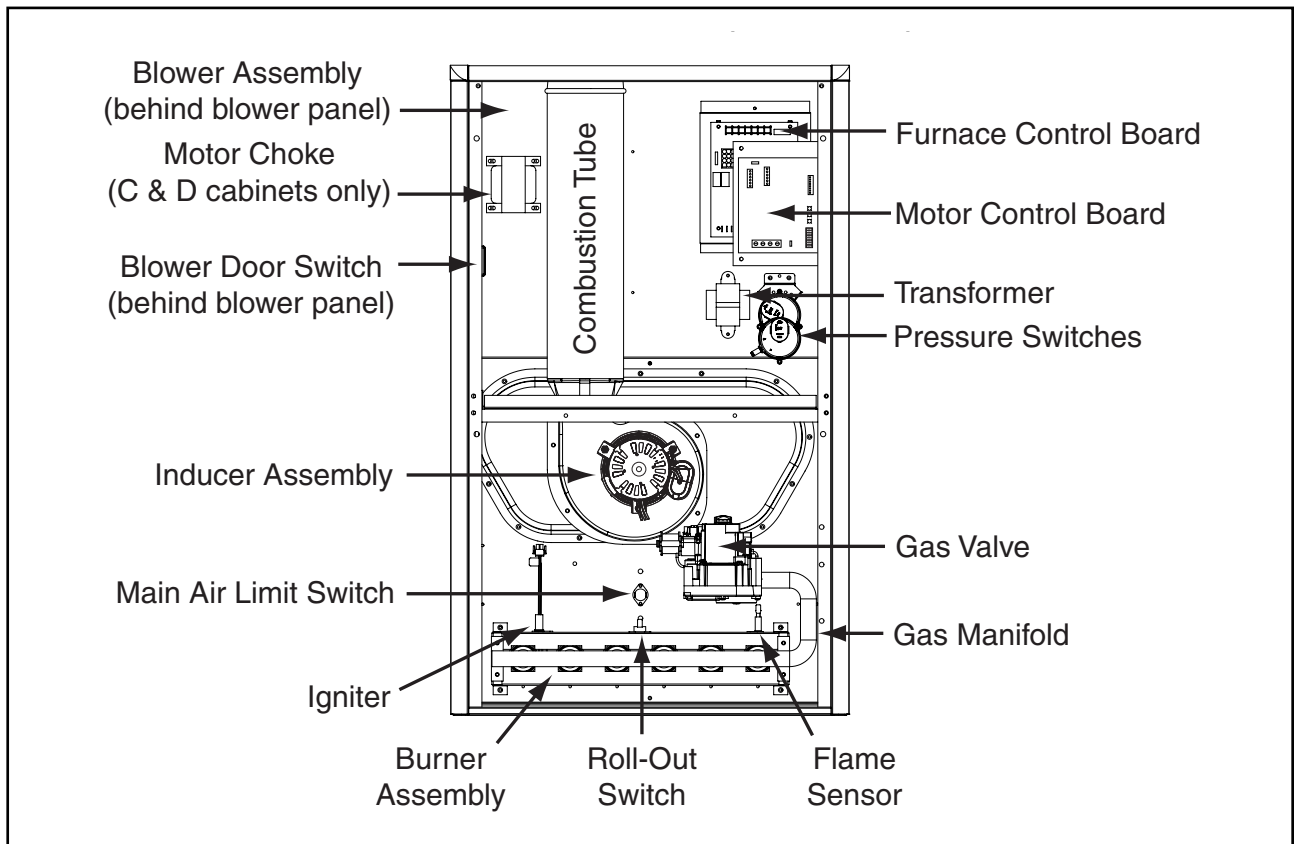
Features and Benefits

- **iSEER™**: Energy efficient brushless DC (ECM) motor gives up to 1 SEER point efficiency gain in cooling.
- **100% fired and tested**: All units and each component are tested on the manufacturing line.
- **Best packaging in the industry**: Unique corner post design assures product will arrive to the homeowner dent free.
- **Low Boy Height**: Easy to apply in low ceiling applications, works well with taller high SEER coils, easier to handle and install.
- **Tubular primary heat exchanger**: Heavy gauge aluminized steel heat exchanger assures a long life.
- **30 second blower delay at start-up**: Assures a warm duct temperature at furnace start-up. Adjustable blower off settings (60, 90, 120 and 180 seconds).
- **30 second post purge**: Increases life of heat exchanger.
- **Hot surface igniter**: Innovative application of an appliance type igniter with a 20 year history of reliability. Utilizes proven SmartStart® technology.
- **Color coded wire harness**: Designed to fit the components, all with quick-connect fittings for ease of service and replacement.
- **High static blowers**: All models equipped with high static blowers.
- **90 second cooling cycle blower-off delay (TDR)**: Increases cooling performance when matched with a Nortek Global HVAC coil.
- **Flexible category I venting system**: May be vented with dedicated venting system or common vented with other category one appliances.
- **Variable Speed Blower Kit**: Upgradable to full variable speed with kit.
- **LP convertible**: Simple burner orifice and regulator spring change for ease of convertibility.
- **Diagnostic lights for easy troubleshooting without counting flashes**: Dedicated light for flame signal strength and 2 lights in combination to indicate all other fault codes with easy to recognize states without counting flashes.
- **Integrated control board**: Incorporates connections for electronic air cleaner and humidifier.
- **Two piece door design**: Enhances furnace appearance and uses captured screws to prevent losing door screws.
- **Blower Compartment**: Insulated for ultra quiet operation.
- **2 Stage Inducer**: Optimizes efficiency on first stage heat and reduces sound levels.
- **Furnace Air Leakage**: These furnaces comply with Energy Star cabinet air leakage requirement of less than or equal to 2%. Keep the conditioned air flowing to where it's needed.

GAS FURNACE COMPONENTS



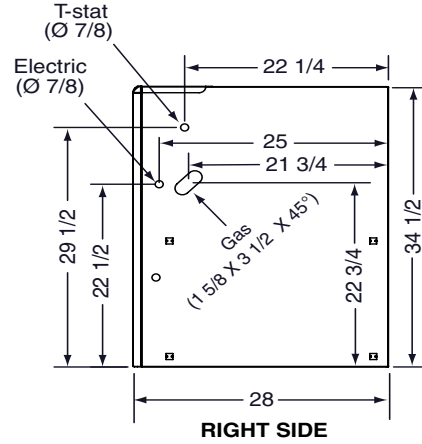
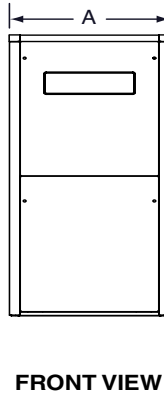
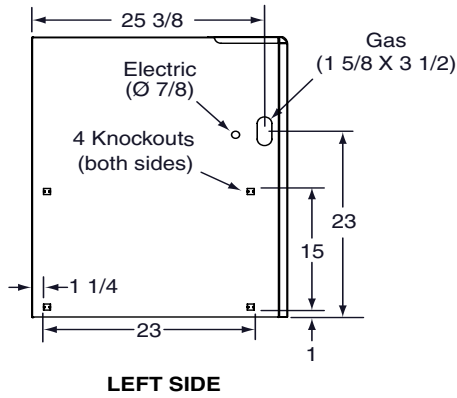
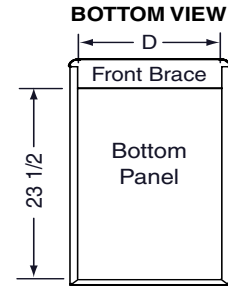
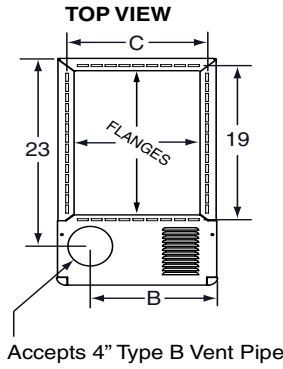
Upflow/Horizontal Gas Furnace



Downflow Gas Furnace

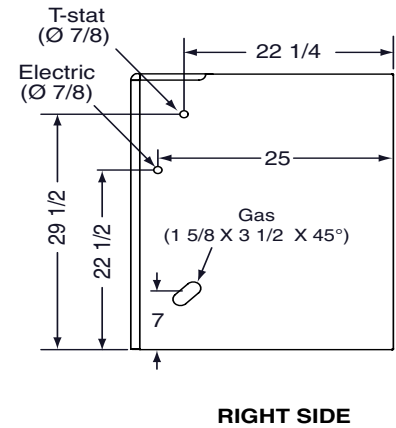
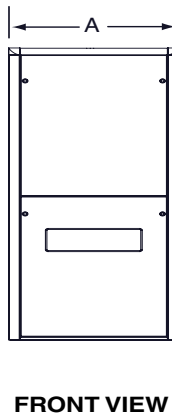
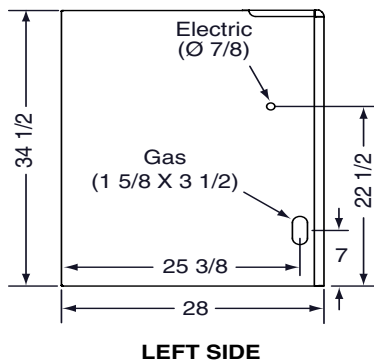
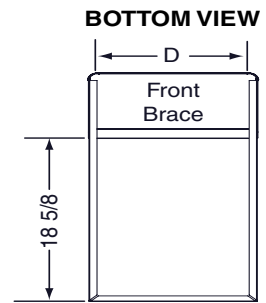
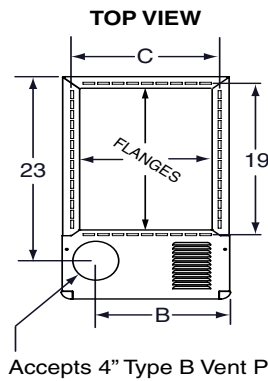
DIMENSIONS

*TA Model #s	Dimension "A"	Dimension "B"	Dimension "C"	Dimension "D"
060-23A1	14 1/4	10 3/4	12 5/8	12 7/8
080-24B1	17 1/2	11 3/4	15 7/8	16 1/8
100-24B1				
100-35C1	21	14	19 3/8	19 5/8
120-35C1				
140-45D1	24 1/2	15 1/4	22 7/8	23 1/8



PGC2TA 80+ High Efficiency Upflow/Horizontal Series

*TK Model #s	Dimension "A"	Dimension "B"	Dimension "C"	Dimension "D"
060-23A1	14 1/4	10 3/4	12 5/8	12 7/8
080-24B1	17 1/2	11 3/4	15 7/8	16 1/8
100-24B1				
100-35C1	21	14	19 3/8	19 5/8
120-35C1				
140-45D1	24 1/2	15 1/4	22 7/8	23 1/8



PGC2TK 80+ High Efficiency Downflow Series

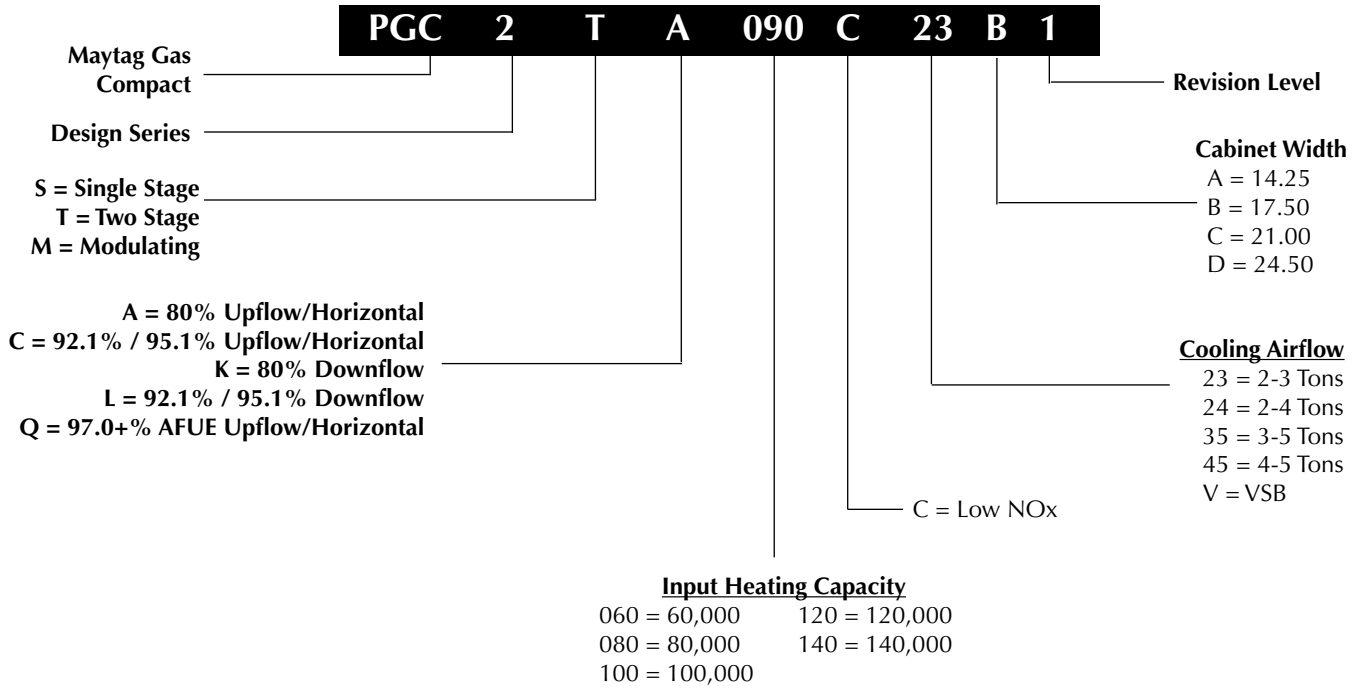
BLOWER PERFORMANCE PGC2TA/TK

PGC2T-TK - 80% AFUE, Two Stage Gas Furnace																						
Model Number	Heating Input (Btuh)	Motor Switch Setting				External Static Pressure (in.w.c.)																
						0.1		0.2		0.3		0.4		0.5		0.6		0.7		0.8		
		1/5	2/6	3/7	4/8	CFM	Rise	CFM	Rise	CFM	Rise	CFM	Rise	CFM	Rise	CFM	Rise	CFM	Rise	CFM	Rise	
*TA/TK-060(C)-*A1	60000	0	0	0	0																	
		1	0	0	0																	
		0	1	0	0	600	–	555	–	510												
		1	1	0	0	705	–	670	–	635	–	600	–									
		0	0	1	0	775	57	740	60	705	–	665	–									
		1	0	1	0	900	49	870	51	835	53	800	56	765	58	730	61	695	64	660	67	
		0	1	1	0	950	47	920	48	890	50	855	52	825	54	795	56	765	58	730	61	
		1	1	1	0	1000	44	970	46	940	47	910	49	880	51	850	52	820	54	790	56	
		0	0	0	1	1075	41	1045	43	1015	44	985	45	960	46	925	48	900	49	870	51	
		1	0	0	1	1110	40	1080	41	1055	42	1025	43	1000	44	975	46	945	47	920	48	
		0	1	0	1	1170	38	1140	39	1115	40	1090	41	1060	42	1035	43	1010	44	985	45	
		1	1	0	1	1210	37	1185	38	1160	38	1130	39	1105	40	1080	41	1055	42	1025	43	
		0	0	1	1	1520	29	1225	36	1200	37	1175	38	1150	39	1120	40	1095	41	1070	42	
		1	0	1	1	1305	34	1280	35	1255	35	1230	36	1205	37	1180	38	1155	38	1130	39	
		0	1	1	1	1350	33	1230	36	1305	34	1285	35	1260	35	1240	36	1215	37	1195	37	
1	1	1	1	1440	31	1400	32	1365	33	1230	36	1295	36	1255	35	1220	36	1185	38			
*TA/TK-080(C)-*B1	80000	0	0	0	0																	
		1	0	0	0																	
		0	1	0	0																	
		1	1	0	0	725	–															
		0	0	1	0	810	–															
		1	0	1	0	940	–	890	–	845	–	795	–	750	–	700	–					
		0	1	1	0	990	60	945	–	905	–	860	–	820	–	775	–	735	–	690	–	
		1	1	1	0	1055	56	1015	58	970	–	930	–	890	–	845	–	805	–	760	–	
		0	0	0	1	1135	52	1095	54	1055	56	1010	59	960	–	930	–	890	–	850	–	
		1	0	0	1	1185	50	1145	52	1105	54	1065	56	1030	58	990	60	950	–	910	–	
		0	1	0	1	1250	47	1210	49	1170	51	1135	52	1095	54	1055	56	1020	58	980	60	
		1	1	0	1	1290	46	1255	47	1220	49	1180	50	1145	52	1110	53	1075	55	1040	57	
		0	0	1	1	1315	45	1275	46	1240	48	1200	49	1160	51	1120	53	1085	55	1045	57	
		1	0	1	1	1350	44	1315	45	1280	46	1245	48	1205	49	1170	51	1135	52	1100	54	
		0	1	1	1	1390	43	1350	44	1315	45	1275	46	1240	48	1200	49	1160	51	1125	53	
1	1	1	1	1420	42	1380	43	1345	44	1310	45	1270	47	1235	48	1200	49	1160	51			
*TA100(C)-*B1	100000	0	0	0	0	905	–	890	–	805	–	780	–									
		1	0	0	0	980	–	930	–	900	–	835	–	820	–	800	–	715	–	670	–	
		0	1	0	0	1095	–	1015	–	980	–	915	–	895	–	870	–	810	–	765	–	
		1	1	0	0	1160	64	1100	–	1065	–	1035	–	995	–	940	–	895	–	865	–	
		0	0	1	0	1230	60	1195	62	1170	–	1110	–	1075	–	1060	–	995	–	970	–	
		1	0	1	0	1315	56	1275	58	1240	60	1195	62	1160	64	1140	65	1115	–	1075	–	
		0	1	1	0	1345	55	1310	57	1280	58	1250	59	1220	61	1190	62	1140	65	1115	–	
		1	1	1	0	1445	51	1390	53	1350	55	1315	56	1280	58	1250	59	1230	60	1185	63	
		0	0	0	1	1490	50	1430	52	1420	52	1380	54	1340	55	1310	57	1280	58	1275	58	
		1	0	0	1	1550	48	1510	49	1475	50	1450	51	1420	52	1375	54	1340	55	1325	56	
		0	1	0	1	1600	46	1270	58	1540	48	1500	49	1475	50	1445	51	1425	52	1385	53	
		1	1	0	1	1640	45	1605	46	1570	47	1550	48	1525	49	1490	50	1460	51	1430	52	
		0	0	1	1	1690	44	1665	44	1630	45	1600	46	1570	47	1550	48	1515	49	1490	50	
		1	0	1	1	1755	42	1730	43	1680	44	1660	45	1640	45	1610	46	1575	47	1550	48	
		0	1	1	1	1805	41	1770	42	1740	43	1715	43	1690	44	1655	45	1645	45	1605	46	
1	1	1	1	1860	40	1825	41	1790	41	1765	42	1745	42	1710	43	1695	44	1660	45			

Notes:

1. Motor Switch Settings are for heating speeds using HEAT switches 1, 2, 3, & 4 and cooling speeds using COOL switches 5, 6, 7, & 8.
2. Two openings are required for airflows above 1600 CFM if the filter(s) is (are) adjacent to the furnace.
3. Data is shown without filter.
4. Temperature rises in the table are approximate. Actual temperature rises may vary.
5. Temperature rises that are shaded in grey are not recommended.

IDENTIFICATION CODE



SPECIFICATIONS

PGC2TA/TK MODEL NUMBERS	060C-23A1	080C-24B1	100C-24B1	100C-35C1	120C-35C1	140C-45D1
Input - Btuh (a)	60,000 / 39,000	80,000 / 52,000	100,000 / 65,000	100,000 / 65,000	120,000 / 78,000	140,000 / 91,000
Heating Capacity - Btuh	48,000 / 31,200	64,000 / 41,600	80,000 / 52,000	80,000 / 52,000	96,000 / 62,400	112,000 / 72,800
AFUE	80.0	80.0	80.0	80.0	80.0	80.0
Blower D x W	10 x 6	11 x 8	11 x 8	11 x 10	11 x 10	11 x 10
Motor H.P. - Speed - Type	1/2 - BLDC	1/2 - BLDC	3/4 - BLDC	3/4 - BLDC	3/4 - BLDC	1 - BLDC
Motor FLA	6.2	6.2	8.7	8.7	8.7	11.7
Rated Ext. SP - In. W.C.	0.5	0.5	0.5	0.5	0.5	0.5
Temperature Rise Range - °F	25-55	30-60	30-60	35-65	35-65	40-70
Shipping Weights - TA	104lbs	116lbs	120lbs	135lbs	135lbs	154lbs
Shipping Weights - TK	104lbs	116lbs	116lbs	135lbs	140lbs	146lbs

All models are 115 V, 60 HZ. Gas connections are 1/2" N.P.T.
 AFUE= Annual Fuel Utilization Efficiency

ACCESSORIES

PGC2TA/TK KITS	
Description	SKU
Fixed Speed to Variable Speed	904880
"A" Cabinet Downflow Sub Base Kit	902974
"B", "C", "D" Cabinet Downflow Sub Base Kit	904911
U.S. LP Conversion Kit (0 to 10,000 ft.)	905028
Canada LP Conversion Kit (0 to 4,500 ft.)	905029
Bottom Return Filter 20 per Box, "B" Cabinet	904916
Bottom Return Filter 20 per Box, "D" Cabinet	904918
Side Return Filter Kit	541036



MAYTAG

Before purchasing this appliance, read important energy cost and efficiency information available from your retailer. Specifications and illustrations subject to change without notice and without incurring obligations.

Manufactured under license by Nortek Global HVAC, LLC, O'Fallon, MO. ®Registered Trademark/™ Trademark of Maytag Corporation or its related companies. © Nortek Global HVAC, LLC 2017. All rights reserved.

821C-0617 (Replaces 821C-0816)

Printed in U.S.A. (06/17)