

JS6BE-K Builder's Series

High Efficiency Air Conditioner
14 SEER Residential System
1½ – 3 Ton Capacity

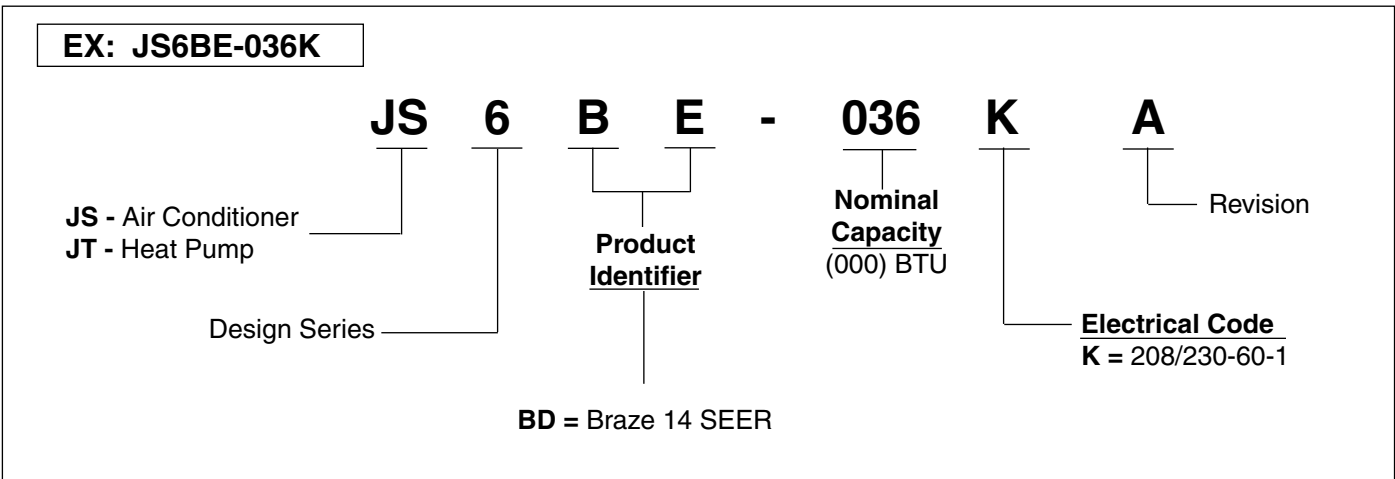
The JS6BE Series of air conditioners offers exceptional performance. The unit, when combined with our engineered coils or air handlers, offers a full line of quality, split system cooling equipment.



FEATURES and BENEFITS

- **Designed using galvanized steel:** with a polyester urethane coat finish. The finish passes 950 hours of salt spray per ASTM Std. B117.
- **Composite Base Pan:** Absorbs sound and is corrosion resistant. Composite is also stronger and lighter than steel.
- **Permanently Lubricated Motor:** A heavy duty PSC motor for long lasting reliability and quiet operation. Requires no maintenance and is completely protected from rain and snow.
- **Removable Top Grille Assembly:** Allows ease of service from the top without disconnecting fan motor leads.
- **High Pressure Switch:** Protects against abnormally high system pressures. Auto-reset feature prevents nuisance service visits.
- **Liquid Line Filter Drier:** Included with unit, field installed.
- **One Piece Top/Orifice:** Designed for maximum airflow and quiet operation.
- **Easy Compressor and Control Access:** Designed to make servicing easier for the contractor, access panels are provided to all controls and the compressor from the side of the unit.
- **Complete Metal Wrapper:** Durable metal guard protects the coil from yard hazards and extreme weather.
- **Micro-Channel Coils:** All aluminum coil which provides high corrosion resistance.

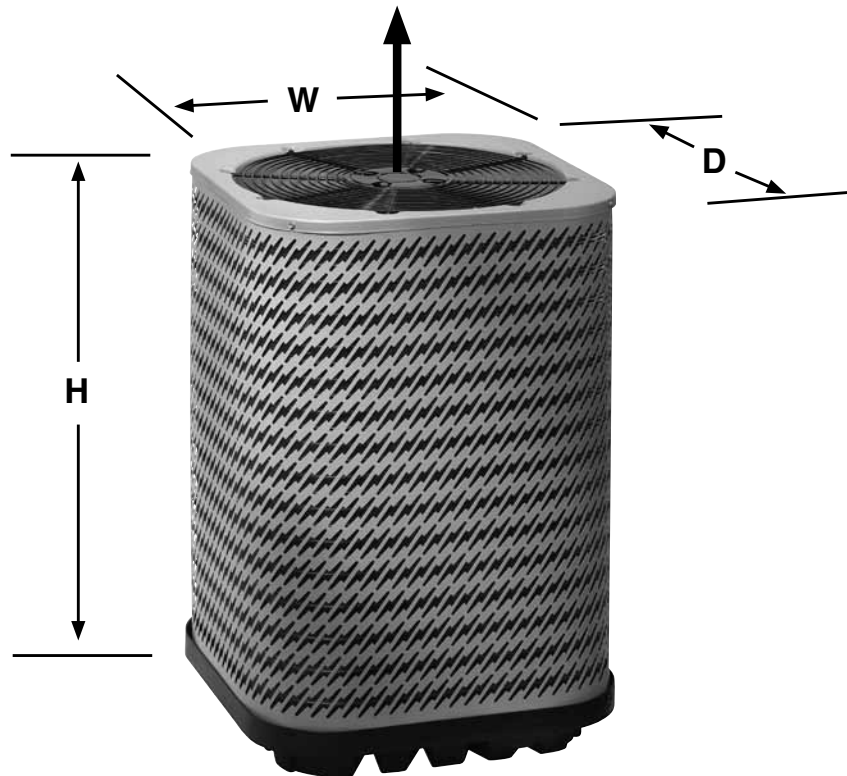
MODEL IDENTIFICATION CODES



DIMENSIONS AIR CONDITIONER OUTDOOR SECTION

JS6BE	018K	024K	030K	036K
H	31 1/2"	31 1/2"	27 1/2"	35 1/2"
W	22 3/4"	22 3/4"	30 3/4"	30 3/4"
D	22 3/4"	22 3/4"	30 3/4"	30 3/4"

**Air Discharge
 Allow Adequate
 Clearance for Airflow**



PHYSICAL AND ELECTRICAL SPECIFICATIONS / OUTDOOR UNITS

13 SEER — High Efficiency — Single Phase

Model Number JS6BE-		018K	024K	030K	036K	
"Electrical Data "	Volts-Cycles-Phase (1)	208/230-60-1				
	Total Amps	7.4	9.0	10.8	13.4	
	Delay Fuse Max. (2)	15	15	20	25	
	Min. Circuit Ampacity	9.0	11.1	13.3	16.5	
"Component Data "	Coil	Area (ft ²)	11.7	11.7	15.2	20.4
		Rows-FPI	1-23	1-23	1-18	1-18
		Tube Dia	MC			
	Fan Motor	Type	PSC			
		Amps	0.7	0.7	0.9	1.0
		HP	0.10	0.10	0.13	0.20
	Compressor Data	RLA	6.7	8.3	9.9	12.4
		LRA	42.0	50.0	69.0	67.0
"Refrigerant suction line O.D.*		0-24 ft.	3/4"	3/4"	3/4"	3/4"
NOTE: Liquid line is 3/8" O.D. for entire length."		25-39 ft.	3/4"	3/4"	3/4"	7/8" (3)
		40-75 ft.	3/4"	3/4"	3/4"	7/8" (3)
"Refrigerant charge R-410A in ounces for outdoor unit & 15' lineset"		56.0	61.0	62.0	76.0	
Approximate Weight (lbs.)	Net	117	131	137	146	
	Ship	124	138	145	155	
Sound Rating dB		71	72	73	73	

(1) Operating Voltage Range: 187v min. - 253v max.

(2) HACR Type Circuit Breakers may be used.

(3) Requires 7/8" to 3/4" reducer from line to unit.

(4) Requires 7/8" to 1-1/8" reducer from line to unit.

(5) Additional charge for line sets above 15 feet.

Values based on suction line as follows with 3/8" liquid line.

a) 3/4" = 0.6 oz. per additional foot.

b) 7/8" = 0.7 oz. per additional foot.

c) 1 1/8" = 0.8 oz. per additional foot.

* For other line set dimensions, refer to the Application Guidelines for Refrigerant Lines Addendum

ACCESSORIES - Condensing Unit

Start Assist Kit - 912933

Provides additional starting torque for the compressor motor when operating with low line voltage or high operating temperatures.

Extreme wind condition Mounting Kit - 920900

SYSTEM COOLING CAPACITIES
14 SEER — High Efficiency — Single Phase

Outdoor Unit	Indoor Unit	A Cap	EER	SEER	CFM
JS6BE-018K	C7B(A,H)MX24(C,U)-A	18000	12.2	14	655
JS6BE-018K	C7B(A,H)MX24(C,U)-B	18000	12.2	14	655
JS6BE-024K	C7B(A,H)MX24(C,U)-A	23400	12.2	14	780
JS6BE-024K	C7B(A,H)MX24(C,U)-B	23400	12.2	14	780
JS6BE-030K	C7B(A,H)MX30(C,U)-A	29800	12.2	14	1000
JS6BE-030K	C7B(A,H)MX30(C,U)-B	29800	12.2	14	1000
JS6BE-036K	C7B(A,H)MX36(C,U)-B	34800	11.5	14	1205
JS6BE-036K	C7B(A,H)MX36(C,U)-C	34800	11.5	14	1215

Outdoor Unit	Indoor Unit	A Cap	EER	SEER	CFM
JS6BE-018K	B6BMM024K-A	18000	12.2	14	670
JS6BE-018K	B6BMM024K-B	18000	12.2	14	660
JS6BE-024K	B6BMM024K-A	22800	12.2	14	820
JS6BE-024K	B6BMM024K-B	22800	12.2	14	825
JS6BE-030K	B6BMM030K-A	28400	12.2	14	915
JS6BE-030K	B6BMM030K-B	28600	12.2	14	895
JS6BE-036K	B6BMM042K-B	34400	11.5	14	1230

COOLING EXPANDED RATINGS

JS6BE-018K C7B(A,H)M01824(C,U)-B TXV

JS6BE-018K C7B(A,H)MX24(C,U)-B

O.D.T			65°F			75°F			85°F			95°F			105°F			115°F		
CFM	E.D.B.	E.W.B.	T.C.	S.C.	K.W.	T.C.	S.C.	K.W.	T.C.	S.C.	K.W.	T.C.	S.C.	K.W.	T.C.	S.C.	K.W.	T.C.	S.C.	K.W.
525	80	62	19.9	15.5	0.76	18.6	15.1	1.07	17.5	15.0	1.31	16.5	14.7	1.49	15.69	15.38	1.64	14.89	14.59	1.79
	80	67	21.7	12.6	0.76	20.2	12.3	1.07	19.0	12.3	1.30	18.0	12.0	1.49	17.06	11.83	1.64	16.10	11.10	1.80
	80	72	23.9	9.7	0.76	22.3	9.5	1.06	21.1	9.6	1.29	20.0	9.4	1.48	18.94	9.29	1.64	17.84	9.54	1.81
	75	62	19.7	12.8	0.76	18.3	12.4	1.07	17.3	12.5	1.31	16.3	12.2	1.49	15.45	11.31	1.64	14.58	12.10	1.79
600	80	62	20.4	16.7	0.79	19.1	16.7	1.10	17.9	16.2	1.33	17.0	16.0	1.51	16.29	15.74	1.67	15.51	15.38	1.82
	80	67	22.1	13.4	0.79	20.6	13.6	1.09	19.4	13.1	1.33	18.4	12.9	1.51	17.43	13.14	1.67	16.43	13.15	1.83
	80	72	24.4	10.3	0.78	22.8	10.6	1.08	21.5	10.2	1.31	20.4	10.1	1.50	19.25	10.15	1.67	18.10	10.23	1.84
	75	62	20.2	13.6	0.79	18.8	13.8	1.10	17.7	13.4	1.33	16.7	13.2	1.52	15.78	13.11	1.67	14.87	13.08	1.82
675	80	62	20.9	18.0	0.81	19.5	17.9	1.12	18.5	17.2	1.36	17.6	16.7	1.54	16.84	16.27	1.70	16.01	15.94	1.85
	80	67	22.5	14.4	0.81	21.0	14.4	1.12	19.8	14.1	1.35	18.7	14.1	1.54	17.69	13.96	1.70	16.66	14.04	1.86
	80	72	24.8	11.0	0.81	23.2	11.1	1.11	21.8	10.7	1.34	20.6	10.7	1.53	19.41	10.66	1.69	18.19	10.80	1.86
	75	62	20.6	14.8	0.81	19.2	14.7	1.12	18.0	14.2	1.36	17.0	14.1	1.54	16.03	13.93	1.70	15.10	13.96	1.85

JS6BE-024K C7B(A,H)M01824(C,U)-A TXV

JS6BE-024K C7B(A,H)MX24(C,U)-A

O.D.T			65°F			75°F			85°F			95°F			105°F			115°F		
CFM	E.D.B.	E.W.B.	T.C.	S.C.	K.W.	T.C.	S.C.	K.W.	T.C.	S.C.	K.W.	T.C.	S.C.	K.W.	T.C.	S.C.	K.W.	T.C.	S.C.	K.W.
700	80	62	25.1	19.8	1.16	23.7	19.4	1.45	22.4	19.4	1.69	21.3	19.0	1.89	20.22	19.83	2.08	19.11	18.74	2.30
	80	67	27.2	16.0	1.16	25.6	15.7	1.46	24.3	15.8	1.69	23.1	15.4	1.90	21.83	15.18	2.10	20.56	14.27	2.31
	80	72	30.1	12.4	1.17	28.5	12.3	1.46	27.0	12.4	1.70	25.6	12.2	1.91	24.11	11.97	2.12	22.61	12.29	2.33
	75	62	24.9	16.2	1.16	23.3	15.8	1.45	22.1	15.8	1.69	20.9	15.5	1.89	19.88	14.54	2.08	18.72	15.56	2.28
800	80	62	25.8	21.3	1.20	24.3	21.5	1.49	23.0	20.9	1.73	21.9	20.6	1.93	20.96	20.25	2.13	19.87	19.70	2.34
	80	67	27.9	17.1	1.20	26.2	17.3	1.49	24.8	16.8	1.73	23.5	16.6	1.94	22.19	16.52	2.15	20.96	16.80	2.36
	80	72	30.7	13.1	1.21	29.0	13.6	1.49	27.4	13.1	1.73	25.6	12.9	1.95	24.16	12.98	2.16	22.78	13.04	2.37
	75	62	25.4	17.3	1.20	23.9	17.4	1.49	22.6	17.2	1.73	21.4	16.9	1.93	20.27	16.85	2.12	18.98	16.72	2.33
900	80	62	26.4	23.0	1.24	24.8	22.9	1.53	23.7	22.1	1.77	22.7	21.5	1.97	21.60	20.87	2.17	20.47	20.38	2.39
	80	67	28.3	18.3	1.24	26.7	18.3	1.53	25.2	17.8	1.77	23.9	18.0	1.98	22.59	17.82	2.19	21.27	17.90	2.40
	80	72	31.1	14.1	1.24	29.0	14.2	1.53	27.4	13.7	1.77	25.9	13.6	2.00	24.52	13.53	2.20	23.07	13.67	2.41
	75	62	25.9	18.9	1.23	24.4	18.8	1.53	23.0	18.2	1.77	21.8	18.0	1.97	20.57	17.85	2.16	19.27	17.82	2.38

JS6BE-030K C7B(A,H)M03036(C,U)-A + TXV

JS6BE-030K C7B(A,H)MX30(C,U)-A

O.D.T			65°F			75°F			85°F			95°F			105°F			115°F		
CFM	E.D.B.	E.W.B.	T.C.	S.C.	K.W.	T.C.	S.C.	K.W.	T.C.	S.C.	K.W.	T.C.	S.C.	K.W.	T.C.	S.C.	K.W.	T.C.	S.C.	K.W.
875	80	62	29.7	24.0	0.47	29.7	24.3	1.47	28.7	24.6	2.07	27.5	24.2	2.36	25.95	25.38	2.53	24.37	23.84	2.70
	80	67	32.2	19.3	0.50	31.9	19.5	1.53	30.9	19.8	2.08	29.4	19.5	2.35	27.71	19.11	2.52	25.96	18.12	2.70
	80	72	35.4	14.8	0.61	34.8	15.0	1.57	33.6	15.4	2.05	31.9	15.1	2.31	30.03	14.85	2.48	28.05	15.18	2.69
	75	62	29.4	19.5	0.47	29.3	19.8	1.46	28.4	20.1	2.07	27.1	19.7	2.36	25.55	18.13	2.53	24.00	19.75	2.70
1000	80	62	30.5	25.9	0.51	30.4	26.9	1.53	29.4	26.5	2.12	28.0	26.1	2.40	26.68	25.78	2.57	25.20	24.99	2.75
	80	67	32.9	20.6	0.58	32.6	21.5	1.61	31.4	21.1	2.12	29.9	20.8	2.39	28.13	20.79	2.56	26.30	20.72	2.75
	80	72	36.0	15.7	0.68	35.4	16.6	1.61	34.0	16.2	2.08	32.2	16.1	2.34	30.13	16.17	2.52	28.16	16.17	2.73
	75	62	30.0	20.8	0.51	29.9	21.8	1.52	29.0	21.3	2.12	27.6	21.5	2.41	26.04	21.39	2.57	24.35	21.25	2.75
1125	80	62	31.2	28.0	0.56	31.0	28.6	1.60	30.1	28.0	2.17	28.9	27.4	2.44	27.36	26.44	2.61	25.80	25.70	2.80
	80	67	33.4	22.1	0.65	33.0	22.7	1.66	31.8	22.3	2.16	30.2	22.2	2.43	28.47	22.43	2.60	26.61	22.46	2.79
	80	72	36.3	16.8	0.75	35.6	17.4	1.65	34.1	17.0	2.12	32.3	17.0	2.38	30.38	16.82	2.56	28.38	16.94	2.77
	75	62	30.6	22.9	0.56	30.4	23.5	1.58	29.4	23.1	2.17	28.0	22.9	2.45	26.32	22.64	2.62	24.64	22.60	2.80

JS6BE-036K C7B(A,H)M03642(C,U)-B + TXV

JS6BE-036K C7B(A,H)MX36(C,U)-B

O.D.T			65°F			75°F			85°F			95°F			105°F			115°F		
CFM	E.D.B.	E.W.B.	T.C.	S.C.	K.W.	T.C.	S.C.	K.W.	T.C.	S.C.	K.W.	T.C.	S.C.	K.W.	T.C.	S.C.	K.W.	T.C.	S.C.	K.W.
1050	80	62	35.1	26.5	2.38	34.0	26.4	2.46	32.6	26.6	2.61	31.2	26.2	2.81	29.65	28.50	3.07	28.05	26.97	3.33
	80	67	38.7	22.1	2.34	37.4	22.1	2.44	35.9	22.3	2.60	34.2	21.9	2.83	32.49	21.57	3.08	30.70	20.01	3.35
	80	72	43.1	17.4	2.28	41.6	17.4	2.40	39.9	17.7	2.60	38.1	17.4	2.83	36.10	17.18	3.09	34.09	17.70	3.38
	75	62	34.9	22.3	2.38	33.8	22.2	2.46	32.4	22.3	2.61	31.0	21.9	2.81	29.33	20.29	3.06	27.67	21.73	3.32
1200	80	62	36.0	28.4	2.42	35.0	30.2	2.51	33.6	29.6	2.66	32.1	29.4	2.87	30.50	29.30	3.13	29.27	29.02	3.40
	80	67	39.6	23.5	2.37	38.3	24.3	2.48	36.7	23.7	2.65	35.0	23.4	2.88	33.20	23.44	3.14	31.28	23.45	3.41
	80	72	44.2	18.3	2.32	42.6	19.2	2.45	40.7	18.7	2.65	38.8	18.5	2.88	36.72	18.73	3.15	34.43	18.91	3.43
	75	62	35.8	23.6	2.42	34.6	24.3	2.51	33.2	23.7	2.66	31.7	23.4	2.87	29.97	23.33	3.12	28.22	23.07	3.39
1350	80	62	37.0	31.9	2.46	35.8	32.3	2.56	34.4	31.7	2.71	33.1	31.4	2.93	31.76	30.68	3.19	30.21	30.08	3.46
	80	67	40.5	25.2	2.42	39.1	25.6	2.53	37.4	24.9	2.71	35.6	24.8	2.94	33.71	24.68	3.20	31.76	24.83	3.47
	80	72	45.0	19.6	2.36	43.2	20.1	2.50	41.2	19.5	2.70	39.1	19.6	2.94	36.94	19.56	3.21	34.78	19.81	3.49
	75	62	36.6	25.3	2.47	35.3	25.6	2.56	33.9	25.0	2.72	32.2	24.8	2.93	30.42	24.58	3.18	28.63	24.62	3.45

COOLING EXPANDED RATINGS

JS6BE-018K B6BMM024K-A

O.D.T			65°F			75°F			85°F			95°F			105°F			115°F		
CFM	E.D.B.	E.W.B.	T.C.	S.C.	K.W.	T.C.	S.C.	K.W.	T.C.	S.C.	K.W.	T.C.	S.C.	K.W.	T.C.	S.C.	K.W.	T.C.	S.C.	K.W.
525	80	62	19.6	14.8	0.62	18.3	14.5	0.89	17.2	14.8	1.09	16.3	14.5	1.25	15.41	15.15	1.39	14.67	14.42	1.52
	80	67	21.5	12.2	0.62	20.1	11.9	0.88	18.9	11.9	1.09	17.8	11.7	1.25	16.84	11.49	1.39	15.83	10.81	1.52
	80	72	23.5	9.5	0.62	22.0	9.3	0.88	20.8	9.4	1.08	19.7	9.1	1.24	18.60	8.99	1.39	17.48	9.22	1.53
	75	62	19.6	12.4	0.62	18.2	12.1	0.89	17.1	12.0	1.09	16.2	11.7	1.25	15.25	10.84	1.39	14.33	11.65	1.52
600	80	62	20.3	16.4	0.63	18.9	16.5	0.90	17.7	16.1	1.10	16.8	15.9	1.26	16.10	15.56	1.40	15.29	15.16	1.53
	80	67	22.0	13.0	0.63	20.6	13.2	0.90	19.4	12.8	1.10	18.3	12.6	1.26	17.20	12.60	1.40	16.15	12.62	1.54
	80	72	24.1	10.0	0.63	22.6	10.3	0.89	21.3	9.9	1.09	20.1	9.8	1.25	19.00	9.83	1.40	17.82	9.89	1.55
	75	62	20.1	13.2	0.63	18.7	13.3	0.90	17.5	12.8	1.10	16.5	12.6	1.26	15.58	12.62	1.40	14.63	12.60	1.53
675	80	62	20.7	17.8	0.65	19.3	17.7	0.91	18.4	17.1	1.11	17.5	16.6	1.27	16.67	16.11	1.41	15.82	15.76	1.55
	80	67	22.5	14.0	0.65	21.0	14.0	0.91	19.7	13.5	1.11	18.6	13.5	1.27	17.50	13.39	1.41	16.41	13.48	1.55
	80	72	24.6	10.7	0.64	23.0	10.8	0.90	21.7	10.4	1.10	20.5	10.4	1.26	19.31	10.33	1.41	18.08	10.47	1.56
	75	62	20.5	14.2	0.65	19.1	14.1	0.91	17.9	13.6	1.11	16.8	13.5	1.27	15.91	13.81	1.41	14.93	13.87	1.54

JS6BE-024K B6BMM024K-A

O.D.T			65°F			75°F			85°F			95°F			105°F			115°F		
CFM	E.D.B.	E.W.B.	T.C.	S.C.	K.W.	T.C.	S.C.	K.W.	T.C.	S.C.	K.W.	T.C.	S.C.	K.W.	T.C.	S.C.	K.W.	T.C.	S.C.	K.W.
700	80	62	24.3	19.1	1.16	22.9	18.7	1.47	21.6	18.7	1.72	20.6	18.4	1.94	19.56	19.17	2.14	18.54	18.16	2.36
	80	67	26.4	15.3	1.17	24.9	15.0	1.48	23.6	15.1	1.73	22.4	14.8	1.95	21.23	14.54	2.16	19.95	13.68	2.38
	80	72	29.1	11.9	1.18	27.6	11.7	1.48	26.1	11.9	1.73	24.8	11.6	1.96	23.43	11.42	2.18	22.10	11.75	2.41
	75	62	24.1	15.5	1.16	22.6	15.1	1.47	21.4	15.1	1.72	20.3	14.8	1.94	19.23	13.71	2.13	18.11	14.69	2.34
800	80	62	24.9	20.5	1.20	23.5	20.7	1.51	22.2	20.2	1.76	21.2	19.9	1.97	20.37	19.68	2.18	19.31	19.15	2.41
	80	67	27.1	16.3	1.21	25.5	16.5	1.51	24.1	16.0	1.76	22.9	15.8	1.98	21.61	15.83	2.20	20.31	15.84	2.42
	80	72	29.8	12.5	1.21	28.1	12.9	1.51	26.7	12.5	1.76	25.2	12.3	2.01	23.81	12.46	2.22	22.36	12.57	2.44
	75	62	24.7	16.5	1.20	23.1	16.6	1.51	21.9	16.1	1.76	20.7	15.9	1.97	19.66	16.30	2.17	18.43	16.23	2.39
900	80	62	25.5	22.2	1.23	24.0	22.1	1.54	23.0	21.4	1.79	22.0	20.9	2.01	21.01	20.30	2.22	19.91	19.82	2.45
	80	67	27.6	17.4	1.24	25.9	17.5	1.54	24.5	16.9	1.79	23.2	16.9	2.01	21.87	16.72	2.24	20.64	17.35	2.46
	80	72	30.3	13.4	1.25	28.6	13.6	1.54	27.0	13.1	1.80	25.4	13.1	2.04	24.00	13.05	2.25	22.63	13.24	2.48
	75	62	25.1	17.6	1.23	23.6	17.6	1.54	22.3	17.6	1.79	21.1	17.5	2.00	19.99	17.31	2.20	18.71	17.31	2.43

JS6BE-030K B6BMM030K-A

O.D.T			65°F			75°F			85°F			95°F			105°F			115°F		
CFM	E.D.B.	E.W.B.	T.C.	S.C.	K.W.	T.C.	S.C.	K.W.	T.C.	S.C.	K.W.	T.C.	S.C.	K.W.	T.C.	S.C.	K.W.	T.C.	S.C.	K.W.
875	80	62	28.2	22.6	0.57	28.2	22.8	1.48	27.4	23.1	1.98	26.2	22.7	2.27	24.70	24.00	2.45	23.00	22.35	2.60
	80	67	31.1	18.1	0.96	30.7	18.3	1.68	29.6	18.6	2.08	28.3	18.2	2.31	26.70	17.90	2.46	24.91	16.64	2.61
	80	72	34.5	14.2	1.31	33.6	14.3	1.84	32.4	14.6	2.15	30.8	14.3	2.34	29.02	14.09	2.48	27.07	14.43	2.64
	75	62	27.9	18.2	0.52	27.9	18.4	1.45	27.2	18.8	1.97	26.0	18.4	2.27	24.37	16.63	2.45	22.55	17.93	2.60
1000	80	62	29.1	24.3	0.76	28.9	25.2	1.60	28.1	24.8	2.06	26.9	24.6	2.33	25.42	24.40	2.50	23.99	23.79	2.65
	80	67	31.9	19.3	1.11	31.3	20.1	1.77	30.2	19.7	2.15	28.8	19.5	2.36	27.14	19.41	2.51	25.34	19.30	2.66
	80	72	35.2	14.9	1.41	34.2	15.8	1.91	32.8	15.3	2.20	31.0	15.2	2.38	29.18	15.28	2.52	27.32	15.30	2.68
	75	62	28.8	19.4	0.72	28.6	20.2	1.57	27.7	19.9	2.05	26.5	19.6	2.32	24.85	19.49	2.49	22.97	19.22	2.64
1125	80	62	29.9	26.4	0.93	29.5	26.9	1.70	28.6	26.5	2.14	27.6	26.1	2.39	26.29	25.40	2.54	24.70	24.60	2.69
	80	67	32.5	20.7	1.23	31.8	21.1	1.85	30.6	20.7	2.20	29.2	20.6	2.41	27.48	20.41	2.55	25.65	20.42	2.70
	80	72	35.5	16.0	1.48	34.4	16.5	1.96	33.0	16.0	2.25	31.3	16.0	2.42	29.49	15.86	2.56	27.59	15.98	2.73
	75	62	29.4	20.8	0.86	29.1	21.3	1.67	28.2	20.9	2.12	26.8	20.8	2.37	25.22	20.52	2.54	23.38	21.08	2.68

JS6BE-036K B6BMM042K-B

O.D.T			65°F			75°F			85°F			95°F			105°F			115°F		
CFM	E.D.B.	E.W.B.	T.C.	S.C.	K.W.	T.C.	S.C.	K.W.	T.C.	S.C.	K.W.	T.C.	S.C.	K.W.	T.C.	S.C.	K.W.	T.C.	S.C.	K.W.
1050	80	62	34.4	26.6	2.28	33.1	26.4	2.37	31.7	27.5	2.53	30.0	27.0	2.74	28.10	27.63	3.02	26.60	26.15	3.31
	80	67	38.3	22.1	2.25	36.9	22.0	2.36	35.3	22.2	2.54	33.5	21.8	2.78	31.42	21.35	3.05	29.32	19.55	3.34
	80	72	42.7	17.3	2.23	41.2	17.3	2.38	39.5	17.7	2.58	37.6	17.3	2.83	35.54	17.01	3.11	33.29	17.42	3.41
	75	62	34.3	22.2	2.28	33.0	22.0	2.37	31.5	22.1	2.53	29.7	21.6	2.74	27.59	19.26	3.01	25.28	20.91	3.30
1200	80	62	35.5	29.7	2.32	34.2	30.4	2.42	32.7	29.8	2.58	31.2	29.3	2.81	29.72	28.71	3.09	28.01	27.77	3.39
	80	67	39.3	23.6	2.30	37.9	24.3	2.42	36.3	23.7	2.60	34.3	23.4	2.84	32.21	23.35	3.12	30.01	23.26	3.41
	80	72	43.8	18.2	2.29	42.2	19.2	2.45	40.5	18.6	2.65	38.5	18.4	2.90	36.36	18.58	3.18	34.07	18.68	3.49
	75	62	35.2	23.6	2.32	33.9	24.2	2.42	32.3	23.6	2.58	30.5	23.2	2.80	28.33	22.96	3.08	26.01	22.63	3.36
1350	80	62	36.4	32.3	2.37	35.1	32.6	2.47	34.2	31.8	2.64	32.6	31.0	2.88	30.91	29.86	3.16	29.14	29.02	3.46
	80	67	40.2	25.3	2.35	38.7	25.7	2.48	36.9	25.1	2.66	35.0	25.0	2.91	32.84	24.74	3.18	30.57	24.77	3.48
	80	72	44.7	19.6	2.35	43.1	20.1	2.51	41.2	19.5	2.72	39.2	19.5	2.97	36.91	19.48	3.25	34.58	19.74	3.56
	75	62	36.0	25.4	2.37	34.6	25.6	2.47	32.9	25.0	2.64	31.0	24.7	2.86	28.92	24.36	3.14	26.74	25.12	3.43



GENERAL TERMS OF LIMITED WARRANTY

Nortek Global HVAC LLC will furnish a replacement for any part of this product which fails in normal use and service within the terms and conditions of the warranty.

For complete details of the Limited Warranty, including applicable terms and conditions, see your local installer or contact the Nortek Global HVAC LLC warranty department for a copy.

Before purchasing this appliance, read important energy cost and efficiency information available from your retailer. Specifications and illustrations subject to change without notice and without incurring obligations. Printed in U.S.A (07/2015)