

Gibson

Heating and Cooling Products

R410-A

Inverter



AIR CONDITIONER CERTIFIED



Submittal: GXH30(8.8)FMK4DH

Flex Match Outdoor Unit

Job Name:

Location:

Date:

Purchaser:

Engineer:

Submitted To:

For:

Unit Designation:

Schedule #:

Features:

- Inverter-driven Compressor and Fan
- Flared Piping Connections
- Wireless Remote Controller Included
- Anti-corrosion coils
- Intelligent defrost
- Auto-Restart
- Easy diagnosis
- Limited 5-year parts & 7-year compressor warranty



SYSTEM RATINGS

Rated Cooling Capacity:	29,002
Minimum Cooling Capacity:	8,189
Maximum Cooling Capacity:	33,438
Rated Heating Capacity:	31,595
Minimum Heating Capacity:	8,189
Maximum Heating Capacity:	32,414
SEER:	21
EER:	12.01
HSPF:	10.2
COP:	12.79

OUTDOOR UNIT DATA

Compressor

Type:	Inverter Rotary
RLA:	13.9

Fan Motor

Ouput Power:	100
FLA:	0.68
Air Flow CFM (Max):	2,330

Sound Pressure

Cooling:	59
Heating:	69

Physical Characteristics

Dimensions:

Width:	38.583
Height:	31.102
Depth:	17.323

Weight (Net lbs)	145.53
------------------	--------

Operating Ambient Temperature Range (°F)

Cooling (Min-Max):	0~118
Heating (Min-Max):	-4~86

Power Supply

Voltage (Min-Max):	176/253
Minimum Circuit Ampacity (MCA):	19
Max. Overcurrent Protection (MOCP):	30

Refrigerant Piping Data

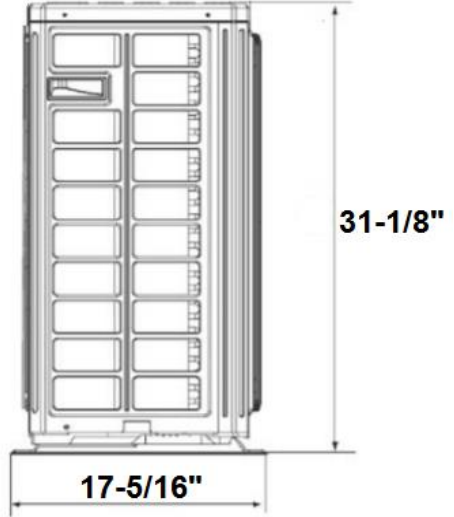
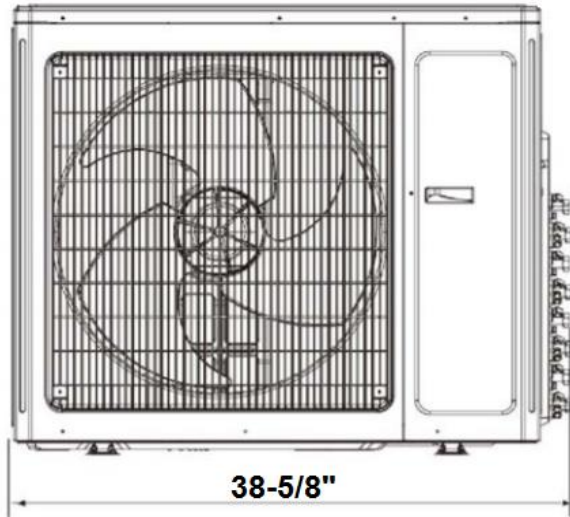
Refrigerant Type:	R-410A
Pre-charged Amount (Oz):	98.8
Additional amount (Oz/ft.):	0.215

No additonal refrigerant is needed if total line set length does not exceed 131.2 feet. If length exceeds 131.2 feet, add 0.2 Oz/ft

See page 3 and 4 for piping limitations.

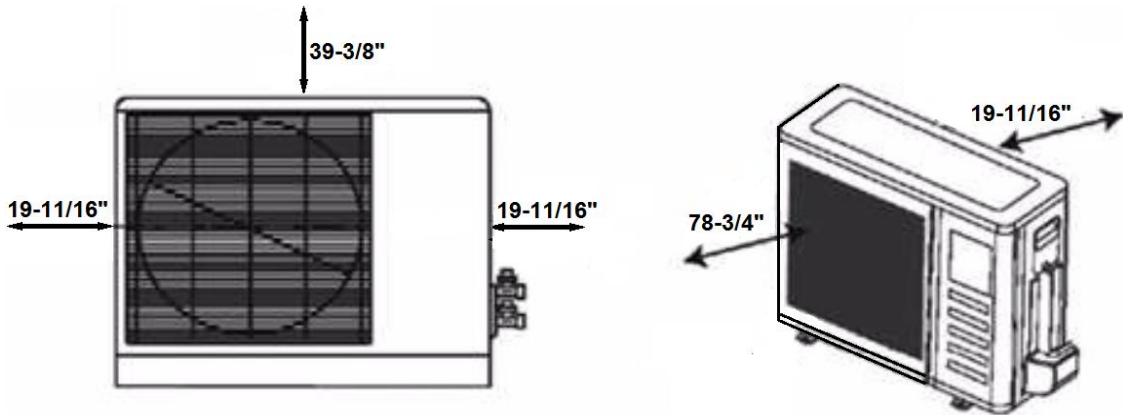
Submittal: GXH30(8.8)FMK4DH

Outdoor Unit Dimensions



Outdoor Unit Piping Connection Size		
	"Liquid"	Gas
Circuit "A"	1/4"	3/8"
Circuit "B"	1/4"	3/8"
Circuit "C"	1/4"	3/8"
Circuit "D"	1/4"	3/8"

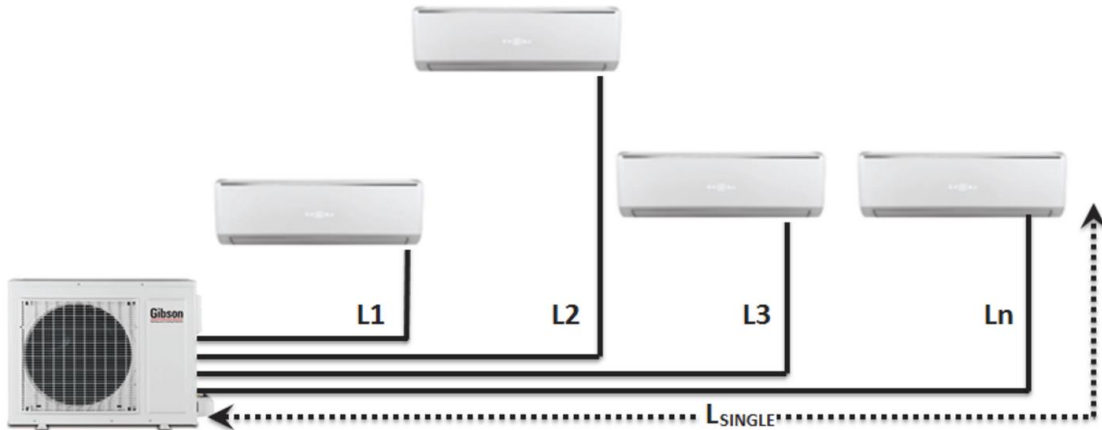
Outdoor Unit Minimum Clearances



Specifications are subject to change without notice.

Submittal: GXH30(8.8)FMK4DH

System Piping Length Information

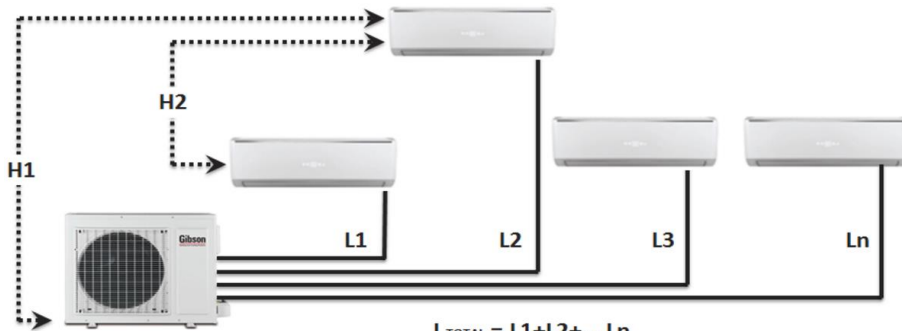


$$L_{TOTAL} = L1 + L2 + \dots + Ln$$

Model Number	Min. Piping Length Per Indoor Unit (Ln)	Max. Piping Length Per Indoor Unit (Ln)	Max. Total Piping Length (L _{TOTAL})
GXH18(5.3)FMK4DH	10	32.8	65.6
GXH24(7.0)FMK4DH	10	65.6	196.8
GXH30(8.8)FMK4DH	10	82	229.7
GXH36(10.6)FMK4DH	10	82	246.1
GXH42(12.3)FMK4DH	10	82	246.1

"L" is the linear equivalent length of liquid line including elbows.

System Piping Height Difference Information



$$L_{TOTAL} = L1 + L2 + \dots + Ln$$

Model Number	Max. Height Difference Between Indoor and Outdoor Units (H1)	Max. Height Difference Between Indoor Units (H2)
GXH18(5.3)FMK4DH	32.8	32.8
GXH24(7.0)FMK4DH	32.8	32.8
GXH30(8.8)FMK4DH	49.2	49.2
GXH36(10.6)FMK4DH	49.2	49.2
GXH42(12.3)FMK4DH	49.2	49.2

"H" is the difference in height measured from the piping connections.