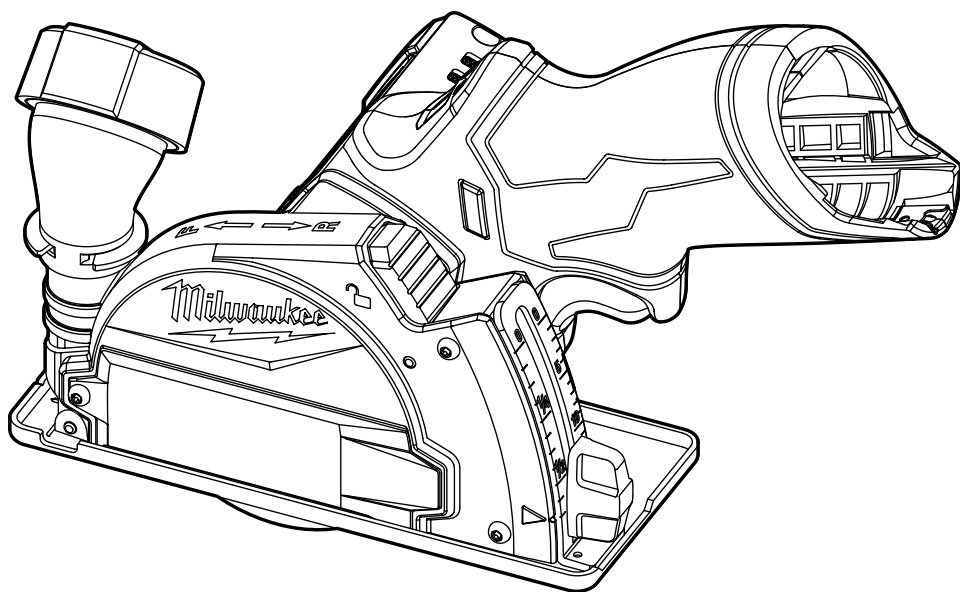




OPERATOR'S MANUAL
MANUEL de L'UTILISATEUR
MANUAL del OPERADOR



Cat. No. / No de cat.
2522-20

M12 FUEL™ 3" CUT OFF TOOL
OUTIL DE SECTIONNEMENT DE 76 mm (3") M12 FUEL™
HERRAMIENTA DE CORTE DE 76 mm (3") M12 FUEL™



WARNING To reduce the risk of injury, user must read and understand operator's manual.

AVERTISSEMENT Afin de réduire le risque de blessures, l'utilisateur doit lire et bien comprendre le manuel.

ADVERTENCIA Para reducir el riesgo de lesiones, el usuario debe leer y entender el manual.

GENERAL POWER TOOL SAFETY WARNINGS

WARNING Read all safety warnings, instructions, illustrations and specifications provided with this power tool. Failure to follow all instructions listed below may result in electric shock, fire and/or serious injury. **Save all warnings and instructions for future reference.** The term "power tool" in the warnings refers to your mains-operated (corded) power tool or battery-operated (cordless) power tool.

WORK AREA SAFETY

- **Keep work area clean and well lit.** Cluttered or dark areas invite accidents.
- **Do not operate power tools in explosive atmospheres, such as in the presence of flammable liquids, gases or dust.** Power tools create sparks which may ignite the dust or fumes.
- **Keep children and bystanders away while operating a power tool.** Distractions can cause you to lose control.

ELECTRICAL SAFETY

- **Power tool plugs must match the outlet. Never modify the plug in any way. Do not use any adapter plugs with earthed (grounded) power tools.** Unmodified plugs and matching outlets will reduce risk of electric shock.
- **Avoid body contact with earthed or grounded surfaces, such as pipes, radiators, ranges and refrigerators.** There is an increased risk of electric shock if your body is earthed or grounded.
- **Do not expose power tools to rain or wet conditions.** Water entering a power tool will increase the risk of electric shock.
- **Do not abuse the cord. Never use the cord for carrying, pulling or unplugging the power tool. Keep cord away from heat, oil, sharp edges or moving parts.** Damaged or entangled cords increase the risk of electric shock.
- **When operating a power tool outdoors, use an extension cord suitable for outdoor use.** Use of a cord suitable for outdoor use reduces the risk of electric shock.
- **If operating a power tool in a damp location is unavoidable, use a ground fault circuit interrupter (GFCI) protected supply.** Use of an GFCI reduces the risk of electric shock.

PERSONAL SAFETY

- **Stay alert, watch what you are doing and use common sense when operating a power tool. Do not use a power tool while you are tired or under the influence of drugs, alcohol or medication.** A moment of inattention while operating power tools may result in serious personal injury.
- **Use personal protective equipment. Always wear eye protection.** Protective equipment such as a dust mask, non-skid safety shoes, hard hat or hearing protection used for appropriate conditions will reduce personal injuries.
- **Prevent unintentional starting. Ensure the switch is in the off-position before connecting to power source and/or battery pack, picking up or carrying the tool.** Carrying power tools with your finger on the switch or energizing power tools that have the switch on invites accidents.
- **Remove any adjusting key or wrench before turning the power tool on.** A wrench or a key left

attached to a rotating part of the power tool may result in personal injury.

- **Do not overreach. Keep proper footing and balance at all times.** This enables better control of the power tool in unexpected situations.
- **Dress properly. Do not wear loose clothing or jewelry. Keep your hair and clothing away from moving parts.** Loose clothes, jewelry or long hair can be caught in moving parts.
- **If devices are provided for the connection of dust extraction and collection facilities, ensure these are connected and properly used.** Use of dust collection can reduce dust-related hazards.
- **Do not let familiarity gained from frequent use of tools allow you to become complacent and ignore tool safety principles.** A careless action can cause severe injury within a fraction of a second.

POWER TOOL USE AND CARE

- **Do not force the power tool. Use the correct power tool for your application.** The correct power tool will do the job better and safer at the rate for which it was designed.
- **Do not use the power tool if the switch does not turn it on and off.** Any power tool that cannot be controlled with the switch is dangerous and must be repaired.
- **Disconnect the plug from the power source and/or remove the battery pack, if detachable, from the power tool before making any adjustments, changing accessories, or storing power tools.** Such preventive safety measures reduce the risk of starting the power tool accidentally.
- **Store idle power tools out of the reach of children and do not allow persons unfamiliar with the power tool or these instructions to operate the power tool.** Power tools are dangerous in the hands of untrained users.
- **Maintain power tools and accessories. Check for misalignment or binding of moving parts, breakage of parts and any other condition that may affect the power tool's operation. If damaged, have the power tool repaired before use.** Many accidents are caused by poorly maintained power tools.
- **Keep cutting tools sharp and clean.** Properly maintained cutting tools with sharp cutting edges are less likely to bind and are easier to control.
- **Use the power tool, accessories and tool bits etc. in accordance with these instructions, taking into account the working conditions and the work to be performed.** Use of the power tool for operations different from those intended could result in a hazardous situation.
- **Keep handles and grasping surfaces dry, clean and free from oil and grease.** Slippery handles and grasping surfaces do not allow for safe handling and control of the tool in unexpected situations.

BATTERY TOOL USE AND CARE

- **Recharge only with the charger specified by the manufacturer.** A charger that is suitable for one type of battery pack may create a risk of fire when used with another battery pack.
- **Use power tools only with specifically designated battery packs.** Use of any other battery packs may create a risk of injury and fire.
- **When battery pack is not in use, keep it away from other metal objects, like paper clips, coins, keys, nails, screws or other small metal objects, that can make a connection from one terminal to**

another. Shorting the battery terminals together may cause burns or a fire.

- **Under abusive conditions, liquid may be ejected from the battery; avoid contact.** If contact accidentally occurs, flush with water. If liquid contacts eyes, additionally seek medical help. Liquid ejected from the battery may cause irritation or burns.
- **Do not use a battery pack or tool that is damaged or modified.** Damaged or modified batteries may exhibit unpredictable behavior resulting in fire, explosion or risk of injury.
- **Do not expose a battery pack or tool to fire or excessive temperature.** Exposure to fire or temperature above 265°F (130°C) may cause explosion.
- **Follow all charging instructions and do not charge the battery pack or tool outside the temperature range specified in the instructions.** Charging improperly or at temperatures outside the specified range may damage the battery and increase the risk of fire.

SERVICE

- **Have your power tool serviced by a qualified repair person using only identical replacement parts.** This will ensure that the safety of the power tool is maintained.
- **Never service damaged battery packs.** Service of battery packs should only be performed by the manufacturer or authorized service providers.

SPECIFIC SAFETY RULES FOR CUT OFF TOOLS

Cut-Off Machine Safety Warnings

- **The guard provided with the tool must be securely attached to the power tool and positioned for maximum safety, so the least amount of wheel is exposed towards the operator. Position yourself and bystanders away from the plane of the rotating wheel.** The guard helps to protect operator from broken wheel fragments and accidental contact with wheel.
- **Use only bonded reinforced or diamond cut-off wheels for your power tool.** Just because an accessory can be attached to your power tool, it does not assure safe operation.
- **The rated speed of the accessory must be at least equal to the maximum speed marked on the power tool.** Accessories running faster than their rated speed can break and fly apart.
- **Wheels must be used only for recommended applications. For example: do not grind with the side of cut-off wheel.** Abrasive cut-off wheels are intended for peripheral grinding, side forces applied to these wheels may cause them to shatter.
- **Always use undamaged wheel flanges that are of correct diameter for your selected wheel.** Proper wheel flanges support the wheel thus reducing the possibility of wheel breakage.
- **Do not use worn down reinforced wheels from larger power tools.** Wheels intended for a larger power tool are not suitable for the higher speed of a smaller tool and may burst.
- **The outside diameter and the thickness of your accessory must be within the capacity rating of your power tool.** Incorrectly sized accessories cannot be adequately guarded or controlled.
- **The arbour size of wheels and flanges must properly fit the spindle of the power tool.** Wheels and flanges with arbour holes that do not match the mounting hardware of the power tool will run out of

balance, vibrate excessively and may cause loss of control.

- **Do not use damaged wheels. Before each use, inspect the wheels for chips and cracks. If power tool or wheel is dropped, inspect for damage or install an undamaged wheel. After inspecting and installing the wheel, position yourself and bystanders away from the plane of the rotating wheel and run the power tool at maximum no load speed for one minute.** Damaged wheels will normally break apart during this test time.
 - **Wear personal protective equipment. Depending on application, use face shield, safety goggles or safety glasses. As appropriate, wear dust mask, hearing protectors, gloves and shop apron capable of stopping small abrasive or workpiece fragments.** The eye protection must be capable of stopping flying debris generated by various operations. The dust mask or respirator must be capable of filtering particles generated by your operation. Prolonged exposure to high intensity noise may cause hearing loss.
 - **Keep bystanders a safe distance away from work area. Anyone entering the work area must wear personal protective equipment.** Fragments of workpiece or of a broken wheel may fly away and cause injury beyond immediate area of operation.
 - **Hold the power tool by insulated gripping surfaces only, when performing an operation where the cutting accessory may contact hidden wiring.** Cutting accessory contacting a "live" wire may make exposed metal parts of the power tool "live" and could give the operator an electric shock.
 - **Never lay the power tool down until the accessory has come to a complete stop.** The spinning wheel may grab the surface and pull the power tool out of your control.
 - **Do not run the power tool while carrying it at your side.** Accidental contact with the spinning accessory could snag your clothing, pulling the accessory into your body.
 - **Regularly clean the power tool's air vents.** The motor's fan can draw the dust inside the housing and excessive accumulation of powdered metal may cause electrical hazards.
 - **Do not operate the power tool near flammable materials. Do not operate the power tool while placed on a combustible surface such as wood.** Sparks could ignite these materials.
- ### Kickback and Related Warnings
- Kickback is a sudden reaction to a pinched or snagged rotating wheel, backing pad, brush or any other accessory. Pinching or snagging causes rapid stalling of the rotating accessory which in turn causes the uncontrolled power tool to be forced in the direction opposite of the accessory's rotation at the point of the binding.
 - For example, if an abrasive wheel is snagged or pinched by the workpiece, the edge of the wheel that is entering into the pinch point can dig into the surface of the material causing the wheel to climb out or kick out. The wheel may either jump toward or away from the operator, depending on direction of the wheel's movement at the point of pinching. Abrasive wheels may also break under these conditions.
 - Kickback is the result of power tool misuse and/or incorrect operating procedures or conditions and can be avoided by taking proper precautions as given below.

- **Maintain a firm grip on the power tool and position your body and arm to allow you to resist kickback forces. Always use auxiliary handle, if provided, for maximum control over kickback or torque reaction during start-up.** The operator can control torque reactions or kickback forces, if proper precautions are taken.
- **Never place your hand near the rotating accessory.** Accessory may kick back over your hand.
- **Do not position your body in line with the rotating wheel.** Kickback will propel the tool in direction opposite to the wheel's movement at the point of snagging.
- **Use special care when working corners, sharp edges etc. Avoid bouncing and snagging the accessory.** Corners, sharp edges or bouncing have a tendency to snag the rotating accessory and cause loss of control or kickback.
- **Do not attach a saw chain, woodcarving blade, segmented diamond wheel with a peripheral gap greater than 10 mm or toothed saw blade.** Such blades create frequent kickback and loss of control.
- **Do not "jam" the cut-off wheel or apply excessive pressure. Do not attempt to make an excessive depth of cut.** Overstressing the wheel increases the loading and susceptibility to twisting or binding of the wheel in the cut and the possibility of kickback or wheel breakage.
- **When wheel is binding or when interrupting a cut for any reason, switch off the power tool and hold the power tool motionless until the wheel comes to a complete stop. Never attempt to remove the cut-off wheel from the cut while the wheel is in motion otherwise kickback may occur.** Investigate and take corrective action to eliminate the cause of wheel binding.
- **Do not restart the cutting operation in the workpiece. Let the wheel reach full speed and carefully reenter the cut.** The wheel may bind, walk up or kickback if the power tool is restarted in the workpiece.
- **Support panels or any oversized workpiece to minimize the risk of wheel pinching and kickback.** Large workpieces tend to sag under their own weight. Supports must be placed under the workpiece near the line of cut and near the edge of the workpiece on both sides of the wheel.
- **Use extra caution when making a "pocket cut" into existing walls or other blind areas.** The protruding wheel may cut gas or water pipes, electrical wiring or objects that can cause kickback.

Safety Warnings Common for Abrasive Cutting-Off Operations:

- **This power tool is intended to function as a cut-off tool. Read all safety warnings, instructions, illustrations and specifications provided with this power tool.** Failure to follow all instructions listed below may result in electric shock, fire and/or serious injury.
- **Operations such as grinding, sanding, wire brushing, or polishing are not recommended to be performed with this power tool.** Operations for which the power tool was not designed may create a hazard and cause personal injury.
- **Do not use accessories which are not specifically designed and recommended by the tool manufacturer.** Just because the accessory can be attached to your power tool, it does not assure safe operation.

- **The outside diameter and the thickness of your accessory must be within the capacity rating of your power tool.** Incorrectly sized accessories cannot be adequately guarded or controlled.
- **The arbour size of wheels, flanges, backing pads or any other accessory must properly fit the spindle of the power tool.** Accessories with arbour holes that do not match the mounting hardware of the power tool will run out of balance, vibrate excessively and may cause loss of control.

Additional Safety Warnings

- **Use clamps or another practical way to secure and support the workpiece to a stable platform.** Holding the work by hand or against your body leaves it unstable and may lead to loss of control.
- **To reduce the risk of explosion, electric shock and property damage, always check the work area for hidden gas pipes, electrical wires or water pipes when making blind or plunge cuts.**
- **Keep hands away from all cutting edges and moving parts. Do not reach underneath the workpiece.**

⚠ WARNING To reduce the risk of injury in applications that produce a considerable amount of dust, use an OSHA compliant dust extraction solution in accordance with the solution's operating instructions.

- **Always use common sense and be cautious when using tools.** It is not possible to anticipate every situation that could result in a dangerous outcome. Do not use this tool if you do not understand these operating instructions or you feel the work is beyond your capability; contact Milwaukee Tool or a trained professional for additional information or training.

• **Maintain labels and nameplates.** These carry important information. If unreadable or missing, contact a MILWAUKEE service facility for a free replacement.

⚠ WARNING Some dust created by power sanding, sawing, grinding, drilling, and other construction activities contains chemicals known to cause cancer, birth defects or other reproductive harm. Some examples of these chemicals are:

- lead from lead-based paint
 - crystalline silica from bricks and cement and other masonry products, and
 - arsenic and chromium from chemically-treated lumber.
- Your risk from these exposures varies, depending on how often you do this type of work. To reduce your exposure to these chemicals: work in a well ventilated area, and work with approved safety equipment, such as those dust masks that are specially designed to filter out microscopic particles.

SYMBOLGY



Volts



Direct Current

n XXXX min⁻¹ Rated Revolutions per Minute (RPM)



Read operator's manual



Wear eye and respiratory protection.

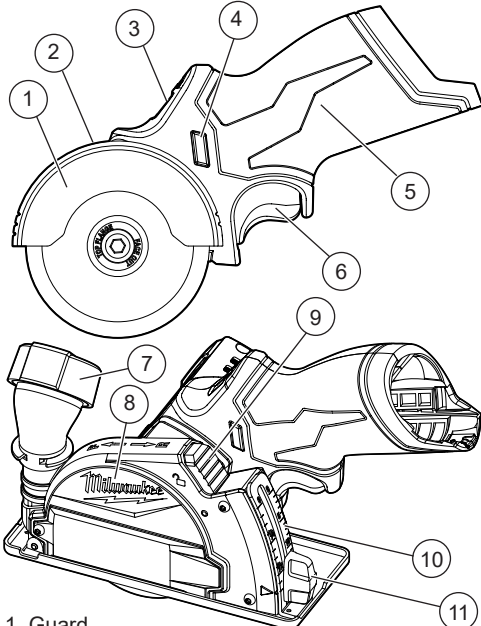


UL Listing for Canada and U.S.

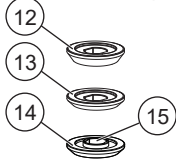
SPECIFICATIONS

Cat. No.....	2522-20
Volts.....	12 DC
Battery Type.....	M12™
Charger Type.....	M12™
RPM.....	20,000
Wheel Size.....	3"
Arbor Size.....	3/8" or 7/16"
Maximum Wheel Thickness.....	1/8"
Maximum Cutting Depth.....	0.64"
Recommended Ambient Operating Temperature.....	0°F to 125°F

FUNCTIONAL DESCRIPTION



1. Guard
2. Spindle lock (behind guard)
3. Control switch indicator
4. Control switch
5. Handle
6. Trigger
7. Dust extraction attachment
8. Dust shoe assembly
9. Shoe release button
10. Depth of cut gauge
11. Depth of cut wing nut



ASSEMBLY

WARNING Recharge only with the charger specified for the battery. For specific charging instructions, read the operator's manual supplied with your charger and battery.

Removing/Inserting the Battery

To **remove** the battery, push in the release buttons and pull the battery pack away from the tool.

WARNING Always remove battery pack before changing or removing accessories.

To **insert** the battery, slide the pack into the body of the tool. Make sure it latches securely into place.

WARNING Only use accessories specifically recommended for this tool. Others may be hazardous.

Wheel Selection

WARNING To reduce the risk of injury, only use Type "1" abrasive and diamond wheels with a maximum 1/8" thickness, rated with a maximum safe operating speed at least 20,000 RPM. Type 1 wheels are for side grinding only, not surface grinding. Read all safety information supplied with cut-off wheels.

Always wear proper safety equipment, including a dust mask. Protect everyone in the area from sparks. Use the chart below to choose the correct wheel. Different types of wheels work best for different materials. Follow the use recommendations from the wheel manufacturer.

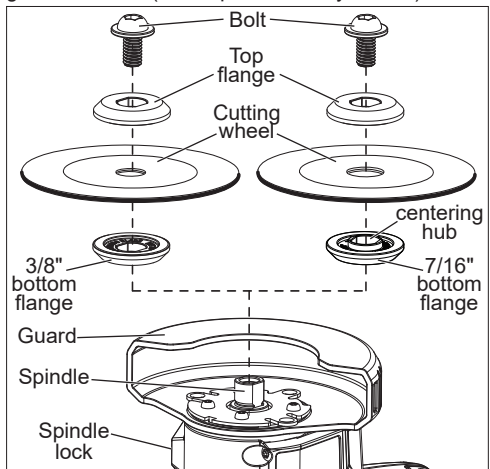
Wheel Type:	Recommended for Cutting:
Carbide Abrasive Wheel	Drywall, Fiber Cement, Plastic
Abrasive Cut-off wheel	Steel, Stainless Steel, Non-Ferrous Materials
Diamond Abrasive Wheel	Tile, Ceramics

WARNING To reduce the risk of injury, use only the proper wheel made for this tool. Do NOT use any type of saw blade. Use only abrasive and diamond wheels. To ensure the wheel is properly secured, always use the mounting hardware supplied with your tool.

Do not touch the cut-off wheel or workpiece immediately after cutting; they may be hot and could burn skin.

Installing and Removing Cut-Off Wheels

Before operating the tool, make sure the wheel is in good condition (see "Specific Safety Rules").

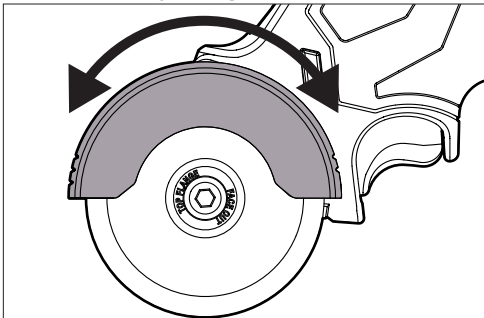


1. To **install** cut-off wheels, remove the battery pack.
2. Place tool on a firm surface with the guard surface facing up.

3. Remove the dust shoe assembly (see "Installing, Removing, and Adjusting the Dust Shoe Assembly").
4. Remove dust and debris from the flanges, cut-off wheel, bolt, spindle, and guard.
5. Place a 3/8" or 7/16" bottom flange on the spindle in the orientation shown, with the flat side towards the cut-off wheel. The text "BOTTOM FLANGE-FACE BLADE" will be visible when installed correctly. Always select the flange that matches the arbor of the cut-off wheel.
6. Inspect the cut-off wheel for damage, and replace if necessary. Place the wheel onto the spindle. For wheels with a 7/16" arbor, ensure the flange's centering hub fits inside the wheel's arbor.
7. When installing a diamond wheels, match direction of rotation of the wheel to the desired direction of rotation of the tool. Diamond wheels will not cut effectively unless the direction marked on the wheel matches the direction of rotation.
8. Place the top flange on the spindle in the orientation shown, with the flat side towards the cut-off wheel. The text "TOP FLANGE-FACE OUT" will be visible when installed correctly.
9. Insert the bolt into the spindle and, while holding in the spindle lock, tighten the bolt securely with the 3/16" hex wrench.
NOTE: Bolt has a left hand thread. To tighten, turn bolt counterclockwise.
10. Run the tool under no-load to ensure the cut-off wheel moves freely and does not contact other parts.
11. To remove, reverse the procedure.
NOTE: Bolt has a left hand thread. To loosen, turn bolt clockwise.

⚠WARNING To reduce the risk of injury when grinding, ALWAYS adjust the guard to provide the best control and protection. Wear gloves to protect hands when adjusting the guard.

Adjusting the Guard



To adjust the guard:

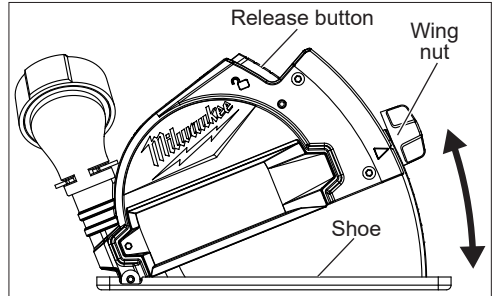
1. Remove the battery pack.
2. Grasp the guard and rotate forward or backward (45° range). Always position the guard in the location which offers best control and protection.

Installing, Removing, and Adjusting the Dust Shoe Assembly

The dust shoe assembly provides cutting stability, depth of cut control, and provisions for dust extraction.

1. To **install** the dust shoe assembly, remove the battery pack.

2. Install the correct wheel for the job, and rotate the guard all the way forward.
3. Loosen the depth of cut wing nut and fully extend the shoe. Hand-tighten the wing nut.



4. Maneuver the upper guard and wheel into the dust shoe assembly and rotate tool to lock in place. The front of the guard will rest against the stop inside the assembly, and the back of the guard will catch the release tab.
5. To **remove** the dust shoe assembly, remove the battery pack.
6. Loosen the depth of cut wing nut and fully extend the shoe. Hand-tighten the wing nut.
7. Press in the shoe release button and rotate the tool out of the dust shoe assembly.
8. To **adjust** the depth of cut, loosen the depth of cut wing nut and slide the shoe up or down. Use the markings on the depth of cut gauge to help determine proper depth. Adjust the cutting depth to the thickness of the workpiece. Less than 1/4" of the wheel should be visible below the workpiece.

Using the Control Switch

The control switch may be set to three positions: forward, reverse and lock. The indicator on the top of the tool will display the current position. Due to a lockout mechanism, the control switch can only be adjusted when the ON/OFF switch is not pressed. Always allow the motor to come to a complete stop before using the control switch.

Some applications or accessories may require the tool to be run in forward or reverse. When making a cut, select the direction of cut that allows the tool to be pushed away from your body. When installing a diamond wheel, select the rotation that matches the arrow on the wheel.

1. For **forward** (clockwise) rotation, push the control switch from the left side of the tool.
2. For **reverse** (counterclockwise) rotation, push the control switch from the right side of the tool.
3. To **lock** the trigger, push the control switch to the center position. The trigger will not work when the control switch is in the locked position.

Always remove the battery pack before performing maintenance, changing accessories, storing the tool and any time the tool is not in use.

⚠WARNING To reduce the risk of injury when working in dusty situations, wear appropriate respiratory protection or use an OSHA compliant dust extraction solution.

Always keep dust extractor hose out of the path of cut and away from the cut-off wheel. Ensure the dust extractor hose does not interfere with the operator or workpiece.

When dust extraction is not in use, always replace the cap to avoid dust and debris from being directed up and toward the operator.

Dust Collection

To use a dust extractor:

1. Install the dust shoe assembly.
2. Remove the cap from the dust extraction attachment.
3. Twist the dust extractor hose (DEK26 or 1.25" diam.) into the opening to make a tight fit. **WARNING!** Always keep dust extractor hose out of the path of cut and away from the cut-off wheel.
4. To remove, twist the dust extractor hose and remove. Replace the cap. **WARNING!** Always replace the cap to avoid dust and debris from being directed up and toward the operator.

OPERATION

WARNING To reduce the risk of injury, always wear proper eye protection marked to comply with ANSI Z87.1.

When working in dusty situations, wear appropriate respiratory protection or use an OSHA compliant dust extraction solution.

Remove the battery pack before changing accessories or making adjustments.

This tool is designed to cut metal and non-metallic materials. To reduce the risk of injury, DO NOT use a toothed blade.

For wet/dry diamond abrasive wheels, use only clean water and avoid over-wetting the workpiece. Never immerse your tool or battery pack in liquid or allow a liquid to flow inside them.

Preventing Kickback

Kickback is the sudden reaction to a pinched wheel which could cause a cut off tool that is not under control to lift up and out of the workpiece towards the user. Take the precautions below to help prevent kickback.

- **Maintain a firm grip and correct body position.** Position arms and body to control the backward and upward reaction force of kickback. Control the cut off tool at all times.
- **Set the depth of cut for no more than necessary.** The less wheel exposed, the less chance of binding and kickback. Before cutting, be sure dust shoe assembly is tight.
- **Always allow the wheel to come to a full stop before removing the cut off tool from the workpiece.** Never remove the cut off tool from a cut while the wheel is moving. If restarting or correcting direction in mid-cut, allow the wheel to coast to a stop, back the cut off tool up a few inches and center it in the kerf before restarting.
- **Stay alert.** Any distraction can cause twisting or binding. Repetitive cuts may lull the user into careless movements.
- **Do not force the tool.** Forcing a cut off tool reduces control and cutting efficiency. If kickback should occur, continue to grip the cut off tool firmly and immediately release trigger.

Making a Cut

1. Remove the battery pack.
2. Install the correct cut-off wheel for the material and adjust the guard. Install the dust shoe assembly when possible.

3. Adjust the depth of cut when using the dust shoe assembly.
4. Insert the battery pack.
5. Line up the cut but do not allow the cut-off wheel to contact the workpiece.
6. To **start** the tool, pull the trigger and allow the tool to reach full speed before beginning the cut. Slowly move the tool through the workpiece. **NOTE:** Always start the cut gently pushing the tool through the workpiece. Do not bang or bump a cut-off wheel when starting or during a cut. Always push the tool away from you.
7. While cutting, keep the shoe flat against the workpiece and maintain a firm grip. Do not force the cut off tool through the workpiece. Forcing a cut off tool can cause kickback.
8. To **stop** the tool, release the trigger. Allow the cut-off wheel to come to a complete stop before removing the tool from a cut.
9. If making a partial cut, restarting a cut or correcting cut direction, allow the wheel to come to a complete stop. To resume cutting, center the wheel in the kerf (cutting slot), back the saw away from cutting edge, pull the trigger and re-enter the cut slowly.
10. When cutting plastic, avoid overheating the blade to prevent melting the workpiece.
11. If the cut off tool stalls or overheats, maintain a firm grip and release the trigger immediately. Allow the tool to cool before continuing.

MAINTENANCE

WARNING To reduce the risk of injury, always unplug the charger and remove the battery pack from the charger or tool before performing any maintenance. Never disassemble the tool, battery pack or charger. Contact a MILWAUKEE service facility for ALL repairs.

Maintaining Tool

Keep your tool, battery pack and charger in good repair by adopting a regular maintenance program. Inspect your tool for issues such as undue noise, misalignment or binding of moving parts, breakage of parts, or any other condition that may affect the tool operation. Return the tool, battery pack, and charger to a MILWAUKEE service facility for repair. After six months to one year, depending on use, return the tool, battery pack and charger to a MILWAUKEE service facility for inspection.

If the tool does not start or operate at full power with a fully charged battery pack, clean the contacts on the battery pack. If the tool still does not work properly, return the tool, charger and battery pack, to a MILWAUKEE service facility for repairs.

WARNING To reduce the risk of personal injury and damage, never immerse your tool, battery pack or charger in liquid or allow a liquid to flow inside them.

Cleaning

Clean dust and debris from vents. Keep handles clean, dry and free of oil or grease. Use only mild soap and a damp cloth to clean, since certain cleaning agents and solvents are harmful to plastics and other insulated parts. Some of these include gasoline, turpentine, lacquer thinner, paint thinner, chlorinated cleaning solvents, ammonia and household detergents containing ammonia. Never use flammable or combustible solvents around tools.

Repairs

For repairs, return the tool, battery pack and charger to the nearest service center.

ACCESSORIES

⚠WARNING Use only recommended accessories. Others may be hazardous.

For a complete listing of accessories, go online to www.milwaukeeetool.com or contact a distributor.

SERVICE - UNITED STATES

1-800-SAWDUST (1.800.729.3878)

Monday-Friday, 7:00 AM - 6:30 PM CST

or visit www.milwaukeeetool.com

Contact Corporate After Sales Service Technical Support with technical, service/repair, or warranty questions.

Email: metproductsupport@milwaukeeetool.com

Become a Heavy Duty Club Member at www.milwaukeeetool.com to receive important notifications regarding your tool purchases.

SERVICE - CANADA

Milwaukee Tool (Canada) Ltd

1.800.268.4015

Monday-Friday, 7:00 AM - 4:30 PM CST

or visit www.milwaukeeetool.ca

LIMITED WARRANTY USA & CANADA

Every MILWAUKEE power tool* (see exceptions below) is warranted to the original purchaser only to be free from defects in material and workmanship. Subject to certain exceptions, MILWAUKEE will repair or replace any part on an electric power tool which, after examination, is determined by MILWAUKEE to be defective in material or workmanship for a period of five (5) years** after the date of purchase unless otherwise noted. Return of the power tool to a MILWAUKEE factory Service Center location or MILWAUKEE Authorized Service Station, freight prepaid and insured, is required. A copy of the proof of purchase should be included with the return product. This warranty does not apply to damage that MILWAUKEE determines to be from repairs made or attempted by anyone other than MILWAUKEE authorized personnel, misuse, alterations, abuse, normal wear and tear, lack of maintenance, or accidents.

Normal Wear: Many power tools need periodic parts replacement and service to achieve best performance. This warranty does not cover repair when normal use has exhausted the life of a part including, but not limited to, chucks, brushes, cords, saw shoes, blade clamps, o-rings, seals, bumpers, driver blades, pistons, strikers, lifters, and bumper cover washers.

*This warranty does not cover Air Nailers & Staplers; Airless Paint Sprayer; Cordless Battery Packs; Gasoline Driven Portable Power Generators; Hand Tools; Hoist - Electric, Lever & Hand Chain; M12™ Heated Gear; Reconditioned Product; and Test & Measurement Products. There are separate and distinct warranties available for these products.

**The warranty period for Job Site Radios, M12™ Power Port, M18™ Power Source, Jobsite Fan and Trade Titan™ Industrial Work Carts is one (1) year from the date of purchase. The warranty period for the Drain Cleaning Cables is two (2) years from the date of purchase. The warranty period for the M18™ Compact Heat Gun and the 8 Gallon Dust Extractor is three (3) years from the date of purchase. The warranty period for the LED in the LED Work Light and the LED Upgrade Bulb for the Work Light is the lifetime of the product subject to the limitations above. If during normal use the LED or LED Bulb fails, the part will be replaced free of charge.

Warranty Registration is not necessary to obtain the applicable warranty on a MILWAUKEE power tool product. The manufacturing date of the product will be used to determine the warranty period if no proof of purchase is provided at the time warranty service is requested.

ACCEPTANCE OF THE EXCLUSIVE REPAIR AND REPLACEMENT REMEDIES DESCRIBED HEREIN IS A CONDITION OF THE CONTRACT FOR THE PURCHASE OF EVERY MILWAUKEE PRODUCT. IF YOU DO NOT AGREE TO THIS CONDITION, YOU SHOULD NOT PURCHASE THE PRODUCT. IN NO EVENT SHALL MILWAUKEE BE LIABLE FOR ANY INCIDENTAL, SPECIAL, CONSEQUENTIAL OR PUNITIVE DAMAGES, OR FOR ANY COSTS, ATTORNEY FEES, EXPENSES, LOSSES OR DELAYS ALLEGED TO BE AS A CONSEQUENCE OF ANY DAMAGE TO FAILURE OF, OR DEFECT IN ANY PRODUCT INCLUDING, BUT NOT LIMITED TO, ANY CLAIMS FOR LOSS OF PROFITS. SOME STATES DO NOT ALLOW THE EX-

CLUSION OR LIMITATION OF INCIDENTAL OR CONSEQUENTIAL DAMAGES. SO THE ABOVE LIMITATION OR EXCLUSION MAY NOT APPLY TO YOU. THIS WARRANTY IS EXCLUSIVE AND IN LIEU OF ALL OTHER EXPRESS WARRANTIES, WRITTEN OR ORAL. TO THE EXTENT PERMITTED BY LAW, MILWAUKEE DISCLAIMS ANY IMPLIED WARRANTIES, INCLUDING WITHOUT LIMITATION ANY IMPLIED WARRANTY OF MERCHANTABILITY OR FITNESS FOR A PARTICULAR USE OR PURPOSE; TO THE EXTENT SUCH DISCLAIMER IS NOT PERMITTED BY LAW, SUCH IMPLIED WARRANTIES ARE LIMITED TO THE DURATION OF THE APPLICABLE EXPRESS WARRANTY AS DESCRIBED ABOVE. SOME STATES DO NOT ALLOW LIMITATIONS ON HOW LONG AN IMPLIED WARRANTY LASTS, SO THE ABOVE LIMITATION MAY NOT APPLY TO YOU. THIS WARRANTY GIVES YOU SPECIFIC LEGAL RIGHTS, AND YOU MAY ALSO HAVE OTHER RIGHTS WHICH VARY FROM STATE TO STATE.

This warranty applies to product sold in the U.S.A. and Canada only. Please consult the "Service Center Search" in the Parts & Service section of MILWAUKEE's website www.milwaukeeetool.com or call 1.800.SAWDUST (1.800.729.3878) to locate your nearest service facility for warranty and non-warranty service on a Milwaukee electric power tool.

LIMITED WARRANTY - MEXICO, CENTRAL AMERICA & CARIBBEAN

TECHTRONIC INDUSTRIES' warranty is for 5 years since the original purchase date.

This warranty card covers any defect in material and workmanship on this Product.

To make this warranty valid, present this warranty card, sealed/stamped by the distributor or store where you purchased the product, to the Authorized Service Center (ASC). Or, if this card has not been sealed/stamped, present the original proof of purchase to the ASC. Call toll-free 01 (800) 030-7777 to find the nearest ASC, for service, parts, accessories or components.

Procedure to make this warranty valid

Take the product to the ASC, along with the warranty card sealed/stamped by the distributor or store where you purchased the product, and any faulty piece or component will be replaced without cost for you. We will cover all freight costs relative with this warranty process.

Exceptions

This warranty is not valid in the following situations

- When the product is used in a different manner from the end-user guide or instruction manual.
- When the conditions of use are not normal.
- When the product was modified or repaired by people not authorized by TECHTRONIC INDUSTRIES.

Note: If cord set is damaged, it should be replaced by an Authorized Service Center to avoid electric risks.

SERVICE AND ATTENTION CENTER

Call to 01 (800) 030-7777

IMPORTED AND COMMERCIALIZED BY
TECHTRONIC INDUSTRIES MEXICO, SA DE CV
Av President Masarik #29 piso 7, Col. Polanco V Sección
CP 11560, Deleg. Miguel Hidalgo, CDMX

Model: _____

Date of Purchase: _____

Distributor or Store Stamp: _____

RÈGLES DE SÉCURITÉ GÉNÉRALES RELATIVES AUX OUTILS ÉLECTRIQUES

⚠AVERTISSEMENT Lire toutes les consignes de sécurité, consignes, illustrations et spécifications fournies avec cet outil électrique. Ne pas suivre l'ensemble des règles et instructions peut entraîner une électrocution, un incendie ou des blessures graves. **Conservé les règles et les instructions à des fins de référence ultérieure.** Le terme «outil électrique» figurant dans les avertissements ci-dessous renvoie à l'outil électrique à alimentation par le réseau (à cordon) ou par batterie (sans fil).

SÉCURITÉ DU LIEU DE TRAVAIL

•**Veillez à ce que l'aire de travail soit propre et bien éclairée.** Le désordre et le manque de lumière favorisent les accidents.

- **Ne pas utiliser d'outils électriques dans des atmosphères explosives, par exemple en présence de liquides, gaz ou poussières inflammables.** Les outils électriques produisent des étincelles risquant d'enflammer les poussières ou vapeurs.
- **S'assurer que les enfants et les curieux se trouvent à une bonne distance au moment d'utiliser un outil électrique.** Les distractions peuvent causer une perte de contrôle.

SÉCURITÉ ÉLECTRIQUE

- **Les fiches des outils électriques doivent correspondre à la prise secteur utilisée.** Ne jamais modifier la fiche, de quelque façon que ce soit. Ne jamais utiliser d'adaptateurs de fiche avec des outils mis à la terre. Les fiches et prises non modifiées réduisent le risque de choc électrique.
- **Éviter tout contact avec des surfaces mises à la terre comme des tuyaux, des radiateurs, des cuisinières et des réfrigérateurs.** Le risque de choc électrique est accru lorsque le corps est mis à la terre.
- **Ne pas exposer les outils électriques à l'eau ou l'humidité.** La pénétration d'eau dans ces outils accroît le risque de choc électrique.
- **Ne pas maltraiter le cordon d'alimentation.** Ne jamais utiliser le cordon d'alimentation pour transporter l'outil électrique et ne jamais débrancher ce dernier en tirant sur le cordon. Garder le cordon à l'écart de la chaleur, de l'huile, des objets tranchants et des pièces en mouvement. Un cordon endommagé ou emmêlé accroît le risque de choc électrique.
- **Pour les travaux à l'extérieur, utiliser un cordon spécialement conçu à cet effet.** Utiliser un cordon conçu pour l'usage extérieur réduit les risques de choc électrique.
- **Si l'utilisation d'un outil électrique est inévitable dans un endroit humide, utiliser une source d'alimentation munie d'un disjoncteur de fuite de terre.** L'utilisation d'un disjoncteur de fuite de terre réduit le risque de choc électrique.

SÉCURITÉ INDIVIDUELLE

- **Rester attentif, prêter attention au travail et faire preuve de bon sens lors de l'utilisation de tout outil électrique.** Ne pas utiliser cet appareil en cas de fatigue ou sous l'influence de l'alcool, de drogues ou de médicaments. Un moment d'inattention pendant l'utilisation d'un outil électrique peut entraîner des blessures graves.
- **Porter l'équipement de protection individuel requis. Toujours porter une protection oculaire.** Selon les conditions, porter aussi un masque antipoussières, des bottes de sécurité antidérapantes, un casque protecteur ou une protection auditive afin de réduire les blessures.
- **Empêcher les démarrages accidentels. S'assurer que la gâchette est en position d'arrêt avant de brancher l'outil à une source de courant, d'insérer la batterie, de le ramasser ou de le transporter.** Le fait de transporter un outil électrique en gardant le doigt sur la gâchette ou de mettre sous tension un outil électrique lorsque la gâchette est en position de marche favorise les accidents.
- **Retirer les clés de réglage avant de mettre l'outil en marche.** Une clé laissée sur une pièce rotative de l'outil peut causer des blessures.
- **Ne pas travailler hors de portée. Toujours se tenir bien campé et en équilibre.** Une bonne stabilité procure un meilleur contrôle de l'outil électrique en cas d'imprévu.
- **Porter une tenue appropriée.** Ne porter ni vêtements amples, ni bijoux. Garder les cheveux et les

- vêtements à l'écart des pièces en mouvement. Les vêtements flottants, les bijoux ou les cheveux longs risquent d'être happés par les pièces en mouvement.
- **Si les outils sont équipés de dispositifs de dépoussiérage, s'assurer qu'ils sont connectés et correctement utilisés.** L'utilisation d'un collecteur de poussière permet de réduire les dangers liés à la poussière.
- **Ne pas laisser la familiarité avec l'outil acquise par une utilisation fréquente vous rendre suffisant et vous amener à ignorer les règles de sécurité.** Une utilisation négligée peut causer une blessure grave en une fraction de seconde.

UTILISATION ET ENTRETIEN DE L'OUTIL ÉLECTRIQUE

- **Ne pas forcer l'outil électrique.** Utiliser l'outil électrique approprié pour l'application. Un outil électrique approprié exécutera le travail mieux et de façon moins dangereuse s'il est utilisé dans les limites prévues.
- **Ne pas utiliser l'outil électrique si le commutateur ne permet pas de le mettre en marche ou de l'arrêter.** Tout outil électrique qui ne peut pas être contrôlé par son commutateur est dangereux et doit être réparé.
- **Débrancher l'outil et/ou retirer le bloc-piles, si possible, avant d'effectuer des réglages, de changer d'accessoire ou de remiser l'outil.** Ces mesures de sécurité préventives réduisent les risques de démarrage accidentel de l'outil.
- **Entreposer l'outil électrique hors de la portée des enfants et interdire à quiconque de l'utiliser si la personne ne connaît pas bien le produit ou les instructions.** Les outils électriques sont dangereux dans les mains d'utilisateurs novices.
- **Entretenir les outils électriques et les accessoires.** Vérifier qu'aucune pièce mobile n'est mal alignée ou bloquée, qu'aucune pièce n'est brisée et s'assurer qu'aucun autre problème risque d'affecter le bon fonctionnement de l'outil. En cas de dommages, faire réparer l'outil avant de l'utiliser. Plusieurs accidents sont causés par des produits mal entretenus.
- **Garder les outils bien affûtés et propres.** Des outils correctement entretenus et dont les tranchants sont bien affûtés risquent moins de se bloquer et sont plus faciles à contrôler.
- **Utiliser l'outil électrique, les accessoires, les embouts etc. conformément à ces instructions en tenant compte des conditions de travail et de la tâche à effectuer.** L'usage d'un outil électrique pour des applications pour lesquelles il n'est pas conçu peut être dangereux.
- **Garder les poignées et les surfaces de préhension sèches, propres et exemptes d'huile ou de graisse.** Des poignées et des surfaces de préhension glissantes ne permettent pas de manipuler et de contrôler l'outil en toute sécurité en cas de situation imprévue.

UTILISATION ET ENTRETIEN DE LA BATTERIE

- **Pour recharger le bloc-piles, utiliser seulement le chargeur spécifié par le fabricant.** Un chargeur pouvant convenir à un type de bloc-piles peut entraîner un risque d'incendie lorsqu'il est utilisé avec un autre type de bloc-piles.
- **N'utiliser l'outil électrique qu'avec une batterie recommandée.** L'utilisation de tout autre bloc-piles peut créer un risque de blessures et d'incendie.
- **Lorsque le bloc-piles n'est pas utilisé, le tenir éloigné des objets en métal tels que les trombones, les pièces de monnaie, les clés, les clous, les vis ou d'autres petits objets métalliques qui pourraient**

connecter les bornes. Le court-circuitage des bornes d'une pile peut entraîner des brûlures ou un incendie.

- **Éviter tout contact avec le liquide pouvant être éjecté de la pile en cas de manutention abusive.** En cas de contact accidentel, rincer immédiatement les parties atteintes avec de l'eau. Si le liquide entre en contact avec les yeux, consulter un médecin. Le liquide éjecté des piles peut causer des irritations ou des brûlures.
- **N'utiliser aucun bloc-piles ni aucun outil ayant été endommagé ou modifié.** Des piles endommagées ou modifiées peuvent adopter un comportement imprévisible pouvant causer un incendie, une explosion ou le risque de blessures.
- **Ne pas exposer le bloc-piles ou l'outil aux flammes ou à une température excessive.** Une exposition aux flammes ou à une température supérieure à 130°C (265°F) peut causer une explosion.
- **Suivre toutes les instructions de charge et ne pas charger le bloc-piles ou l'outil en dehors de la plage de température spécifiée.** Une charge incorrecte ou à des températures en dehors de la plage spécifiée peut endommager la pile et augmenter le risque d'incendie.

ENTRETIEN

- **Les réparations de l'outil électrique doivent être confiées à un technicien qualifié, utilisant exclusivement des pièces identiques à celles d'origine.** Le maintien de la sûreté de l'outil électrique sera ainsi assuré.
- **Ne jamais effectuer la réparation d'un bloc-piles endommagé.** La réparation du bloc-piles doit être réalisée par le fabricant ou les fournisseurs de service agréés uniquement.

RÈGLES DE SÉCURITÉ SPÉCIFIQUES POUR OUTILS DE SECTIONNEMENT

- Avertissements de sécurité pour la tronçonneuse**
Le carter fourni avec l'outil doit être fixé solidement à l'outil électrique et positionné de manière à garantir une sécurité optimale ; il est important donc de diriger le moins possible la meule vers l'utilisateur. Se tenir et tenir les badauds à une distance sécuritaire du rabot de la meule en rotation. Le carter aide à protéger l'utilisateur des fragments qui peuvent se détacher de la meule ainsi que du contact accidentel avec la meule.
- **Utiliser uniquement des meules à tronçonner en diamant ou renforcée et collée avec votre outil électrique.** Le simple fait qu'un accessoire peut s'ajuster sur l'outil électrique ne signifie pas qu'il peut être utilisé en toute sécurité.
 - **La vitesse nominale de l'accessoire doit au moins être égale à la vitesse maximale indiquée sur l'outil électrique.** Les accessoires qui sont utilisés à une vitesse supérieure à leur vitesse nominale peuvent se briser et se détacher.
 - **Utiliser seulement les meules pour effectuer des opérations pour lesquelles elles sont conçues.** Par exemple, ne pas meuler avec le côté d'une meule à tronçonner. Seule la périphérie des meules à tronçonner abrasives doit être utilisée pour le meulage. Le fait d'appliquer une force latérale sur ces meules peut provoquer leur éclatement.
 - **Toujours utiliser des brides de meule non endommagées ayant le diamètre convenable pour la meule choisie.** Les brides de meule adéquates soutiennent la meule, ce qui minimise les risques de bris de celle-ci.
 - **Ne pas utiliser de meules renforcées usées qui proviennent d'outils électriques de plus grandes dimensions.** Les meules conçues pour des outils

électriques de plus grandes dimensions ne conviennent pas à la vitesse plus élevée des outils de plus petites dimensions et peuvent éclater.

- **Le diamètre extérieur et l'épaisseur de l'accessoire doivent être conformes à la capacité de l'outil électrique.** Il est impossible d'envelopper ou de contrôler adéquatement un accessoire de dimension inappropriée.
- **La taille de l'arbre des meules et les brides doit convenir parfaitement à la broche de l'outil électrique.** Les meules et les brides dotées d'alésages centraux qui ne conviennent pas à la pièce de montage de l'outil se déstabiliseront, vibreront de façon excessive et pourront causer une perte de contrôle.
- **Ne pas utiliser des meules endommagées.** Avant chaque utilisation, veuillez examiner les meules et s'assurer qu'elles sont exemptes d'ébréchantures et de fissures. Si l'outil électrique ou la meule est échappé, s'assurer qu'ils ne sont pas endommagés ou bien, installer un autre accessoire. Après l'inspection et l'installation de la meule, se tenir et tenir les badauds à une distance sécuritaire du rabot de la meule en rotation et faire fonctionner l'outil électrique à sa vitesse à vide maximale pendant une minute. Les meules endommagées se brisent généralement lors de cette vérification.
- **Porter de l'équipement de protection de qualité professionnelle.** Selon le type d'opération, porter un masque de protection ou des lunettes de sécurité. Au besoin, porter également un masque anti-poussière, un protecteur d'oreille, des gants et un tablier d'atelier résistant aux petits fragments abrasifs ou aux fragments provenant des pièces à travailler. La protection oculaire utilisée doit résister aux débris projetés lors des différentes opérations. Le masque anti-poussière et le masque filtrant doivent filtrer les particules produites lors de l'opération. Une exposition prolongée à un bruit fort peut entraîner une perte auditive.
- **S'assurer que personne ne se tient à proximité du lieu de travail.** Toute personne qui entre sur le lieu de travail doit porter l'équipement de protection requis. Des fragments provenant de la pièce à travailler ou d'une meule brisée peuvent être projetés et causer des blessures, même à des personnes se tenant à une certaine distance du lieu de travail immédiat.
- **Lorsque l'outil électrique est utilisé pour un travail risquant de mettre l'accessoire de coupe en contact avec des fils électriques cachés, le tenir par les surfaces de prise isolées uniquement.** Le contact d'un accessoire de coupe avec un fil sous tension « électrifie » les pièces métalliques exposées de l'outil et peut électrocuter l'utilisateur.
- **Ne jamais déposer l'outil électrique avant l'arrêt complet de l'accessoire.** La meule en rotation peut attraper la surface et occasionner une perte de contrôle.
- **Ne jamais laisser l'outil électrique fonctionner en le transportant à ses côtés.** L'accessoire en rotation peut s'accrocher accidentellement aux vêtements et entrer en contact avec l'utilisateur.
- **Nettoyer régulièrement les événements d'aération de l'outil électrique.** Le ventilateur du moteur aspire la poussière dans le logement et crée une accumulation excessive de métal fritté, ce qui peut causer un danger électrique.
- **Ne pas faire fonctionner l'outil électrique à proximité de matériaux inflammables.** Ne pas utiliser l'outil électrique en tant qu'il est mis sur une surface combustible, tel que du bois. Les étincelles peuvent enflammer ces matériaux.

Rebonds et avertissements connexes

-Un rebond est une réaction soudaine attribuable au pincement ou à l'accrochage de la meule, du plateau porte-disque, de la brosse ou de tout autre accessoire en rotation. Un pincement ou un accrochage provoque le blocage immédiat de l'accessoire en rotation qui, à son tour, entraîne l'outil incontrôlé dans le sens opposé à la rotation de l'accessoire, à l'endroit du coincement. Par exemple, si une meule abrasive est accrochée ou pincée par la pièce à travailler, le rebord de la meule qui entre dans le point de pincement peut s'enfoncer dans la surface du matériel, éjectant la meule ou la faisant rebondir. La meule peut sauter vers l'utilisateur ou loin de lui, selon le sens du mouvement de la meule au point de pincement. Dans ces conditions d'utilisation, les meules abrasives peuvent également se briser.

-Un rebond est attribuable à une mauvaise utilisation de l'outil ou au non-respect des procédures ou des conditions d'utilisation. Pour empêcher les rebonds, respecter les directives décrites ci-dessous.

• **Tenir fermement l'outil électrique et placer le corps et les mains de manière à pouvoir résister aux rebonds. Toujours utiliser la poignée auxiliaire, s'il y en a une, pour assurer un contrôle optimal en cas de rebond ou de réaction de couple lors du démarrage de l'outil.** L'utilisateur peut contrôler les rebonds et les réactions de couple s'il respecte les directives prescrites.

• **Ne jamais placer les mains à proximité de la meule en rotation.** En cas de rebond, l'accessoire peut dévier sur celles-ci.

• **Ne pas se tenir vis-à-vis de la meule en rotation.** Un rebond entraînera l'outil dans le sens opposé au mouvement de la meule, à l'endroit de l'accrochage.

• **Faire preuve d'une extrême prudence au moment d'utiliser l'outil sur des coins ou des rebords tranchants. Éviter le rebond et l'accrochage de l'accessoire.** Les coins, les rebords tranchants et les surfaces qui tressaillent ont tendance à s'accrocher à la pièce en rotation et à causer une perte de contrôle ou des rebonds.

• **Ne pas attacher une chaîne, une lame à bois, une meule tronçonneuse diamant segmentée avec un intervalle périphérique plus grand que 10 mm (3/8") ni une lame dentée.** Ces types de lame occasionnent de nombreux rebonds et des pertes de contrôle fréquentes.

• **S'assurer que la meule à tronçonner ne se coince pas et éviter d'appliquer trop de pression. Ne pas régler la meule à une profondeur de coupe excessive.** Le fait d'appliquer trop de pression sur la meule augmente la charge, la tendance de la meule à se tordre ou à se coincer pendant la coupe, ainsi que les risques de rebond ou de bris de la meule.

• **Si la meule se coince ou si l'opération de coupe est interrompue pour une raison quelconque, éteindre l'outil électrique et le maintenir immobile jusqu'à ce que la meule s'arrête complètement. Ne jamais essayer de retirer le disque abrasif de la coupe quand le disque est en mouvement, car ceci pourrait provoquer un rebond.** Déterminer et éliminer la cause du blocage de la meule.

• **Ne pas remettre en marche l'outil si celui-ci est dans la pièce à travailler. Permettre à la meule d'atteindre sa vitesse maximale puis la réinsérer dans le trait de coupe avec précaution.** La meule risque de se coincer, de se soulever ou de rebondir si cette précaution n'est pas prise.

• **Soutenir les panneaux ainsi que toute pièce à travailler surdimensionnée afin de minimiser les risques de pincement de la meule et de rebond.** Les pièces à travailler de grandes dimensions ont tendance à fléchir sous leur propre poids. Il est important donc de disposer des supports sous la pièce à travailler, près du trait de coupe ainsi que du rebord de la pièce à travailler, des deux côtés de la meule.

• **Redoubler de prudence lors de la découpe d'évidements dans des cloisons ou autres endroits sans visibilité arrière.** La meule sortante peut couper les conduites d'eau ou de gaz, le câblage électrique, ainsi que tout autre objet pouvant provoquer un rebond.

Règles de sécurité générales pour les opérations de découpage à l'abrasif :

• **Cet outil électrique est conçu pour servir comme un outil à sectionnement. Consulter tous les avertissements et toutes les instructions, les illustrations et les précisions fournies avec cet outil électrique.** Ne pas suivre l'ensemble des instructions décrites ci-dessous peut entraîner une électrocution, un incendie ou des blessures graves.

• **Il n'est pas recommandé d'utiliser cet outil électrique pour les opérations de meuluse, ponçage, brossage métallique ou polissage des pièces.** Le fait d'utiliser l'outil pour effectuer des tâches pour lesquelles il n'est pas conçu peut présenter du danger et entraîner des blessures.

• **Ne pas utiliser des accessoires qui ne sont pas spécialement conçus pour le modèle d'outil ou qui ne sont pas recommandés par le fabricant.** Le simple fait qu'un accessoire peut s'ajuster sur l'outil électrique ne signifie pas qu'il peut être utilisé en toute sécurité.

• **Le diamètre extérieur et l'épaisseur de l'accessoire doivent être conformes à la capacité de l'outil électrique.** Il est impossible d'envelopper ou de contrôler adéquatement un accessoire de dimension inappropriée.

• **La taille de l'arbre des meules, des brides, des plateaux porte-disque ou de tout autre accessoire doit convenir parfaitement à la broche de l'outil électrique.** Si les accessoires utilisés sont dotés d'alesages centraux qui ne conviennent pas à la pièce de montage de l'outil, ils se déstabiliseront, vibreront de façon excessive et pourront causer une perte de contrôle.

Règles de sécurité supplémentaires

• **Dans la mesure du possible, utiliser des serre-joints ou un autre moyen pratique pour maintenir la pièce sur une surface stable.** Le fait de tenir la pièce à travailler avec ses mains ou contre son corps la rend instable et peut occasionner une perte de contrôle.

• **Pour réduire les risques d'explosion, de décharges électriques ou de dommages matériels, toujours examiner le lieu de travail afin de repérer les conduites de gaz et d'eau ou le câblage électrique qui pourraient être dissimulés, au moment d'effectuer des coupes à l'aveuglette ou en plongée.**

• **Garder les mains à l'écart des rebords tranchants et des pièces en mouvement. Ne pas mettre les mains sous la pièce à travailler.**

• **AVERTISSEMENT** Pour réduire le risque de blessures dans les applications qui produisent une quantité considérable de poussière, utilisez une solution d'extraction de poussière conforme à l'OSHA conformément aux instructions d'utilisation de la solution.

DESCRIPTION FONCTIONNELLE

• **Toujours faire preuve de bons sens et procéder avec prudence lors de l'utilisation d'outils.** C'est impossible de prévoir toutes les situations dont le résultat est dangereux. Ne pas utiliser cet outil si vous ne comprenez pas ces instructions d'opération ou si vous pensez que le travail dépasse votre capacité ; veuillez contacter Milwaukee Tool ou un professionnel formé pour recevoir plus d'information ou formation.

• **Maintenir en l'état les étiquettes et les plaques d'identification.** Des informations importantes y figurent. Si elles sont illisibles ou manquantes, contacter un centre de services et d'entretien MILWAUKEE pour un remplacement gratuit.

AVERTISSEMENT Certaines poussières générées par les activités de ponçage, de coupe, de rectification, de perçage et d'autres activités de construction contiennent des substances considérées être la cause de malformations congénitales et de troubles de l'appareil reproducteur. Parmi ces substances figurent :

- le plomb contenu dans les peintures à base de plomb ;
 - la silice cristalline des briques, du ciment et d'autres matériaux de maçonnerie, ainsi que
 - l'arsenic et le chrome des sciages traités chimiquement.
- Les risques encourus par l'opérateur envers ces expositions varient en fonction de la fréquence de ce type de travail. Pour réduire l'exposition à ces substances chimiques, l'opérateur doit : travailler dans une zone bien ventilée et porter l'équipement de sécurité approprié, tel qu'un masque anti-poussière spécialement conçu pour filtrer les particules microscopiques.

PICTOGRAPHIE



Volts



Courant direct

n XXXX min⁻¹ Tours-minute (RPM)



Porter une protection auditive



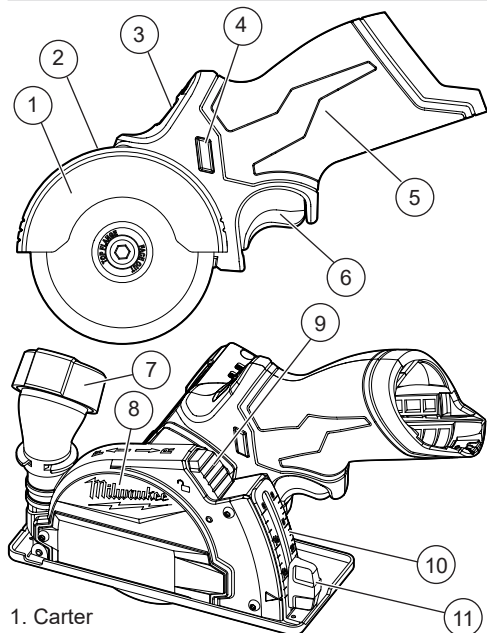
Portez la protection oculaire et respiratoire



UL Listing Mark pour Canada et États-unis

SPÉCIFICATIONS

No de Cat.....	2522-20
Volts.....	12 CD
Type de batterie	M12™
Type de chargeur	M12™
Tr/Min	20 000
Taille de meule.....	76 mm (3")
Taille d'arbre	9,5 mm (3/8") ou 11 mm (7/16")
Épaisseur de meule maximale	3 mm (1/8")
Profondeur de coupe maximale.....	16,3 mm (0,64")
Température ambiante de fonctionnement recommandée	-18°C à 50°C (0°F à 125°F)



1. Carter
2. Verrou de broche (arrière carter)
3. Indicateur de commutateur
4. Commutateur
5. Poignée
6. Gâchette
7. Accessoire de dépoussiérage
8. Assemblage de patin à poussière
9. Bouton de verrouillage de patin
10. Calibre de profondeur de coupe
11. Écrou papillon de coupe à profondeur
12. Bride supérieure
13. Bride inférieure de 9,5 mm (3/8")
14. Bride inférieure de 11 mm (7/16")
15. Moyeu de centrage

MONTAGE DE L'OUTIL

AVERTISSEMENT Ne recharger la batterie qu'avec le chargeur spécifié. Pour les instructions de charge spécifiques, lire le manuel d'utilisation fourni avec le chargeur et les batteries.

Insertion/Retrait de la batterie

Pour **retirer** la batterie, enfoncer les boutons de déverrouillage et la tirer hors de l'outil.

AVERTISSEMENT Il faut toujours retirer la batterie et verrouiller la détente de l'outil avant de changer ou d'enlever les accessoires.

Pour **insérer** la batterie, la glisser dans le corps de l'outil. S'assurer qu'elle est fixée solidement.

AVERTISSEMENT L'emploi d'accessoires autres que ceux qui sont expressément recommandés pour cet outil peut comporter des risques.

Sélection de la meule

⚠ AVERTISSEMENT Afin de minimiser le risque de blessures, utiliser uniquement les meules abrasives et diamant de type « 1 » dont l'épaisseur maximale est de 3 mm (1/8"), avec une vitesse d'opération maximale au moins de 20 000 Tr/Min. Les meules de type 1 ont été conçues pour d'opérations de meuleuse latérale, pas pour d'opérations de meuleuse superficielle. Lire toutes les informations de sécurité fournies avec les meules à tronçonner.

Toujours porter d'équipement de sécurité approprié, y inclus un masque anti-poussière. Protéger toutes les personnes de la zone contre les étincelles. Utiliser le tableau ci-dessous afin de choisir la meule correcte. Il y a des types différents de meules qui conviennent à des matériaux différents. Suivre les recommandations d'utilisation fournies par le fabricant de la meule.

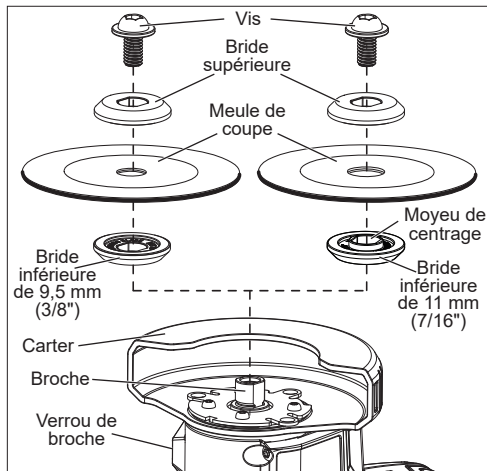
Types de meules :	Recommandée pour des opérations de coupeure :
Meule au carbure de tungstène	Cloison sèche, fibrociment, plastique
Meule à tronçonner abrasive	Acier, acier inoxydable, matériaux non-ferreux
Meule diamantée abrasive	Carrelage, céramique

⚠ AVERTISSEMENT Afin de minimiser le risque de blessures, utiliser uniquement la meule adéquate conçue pour cet outil. Ne PAS utiliser aucun type de lame de scie. Utiliser uniquement des meules diamantées et abrasives. Afin de garantir que la meule soit bien assujettie, toujours utiliser la quincaillerie de montage fournie avec votre outil.

Ne pas toucher la meule à tronçonner ni la pièce à travailler immédiatement après l'opération de coupeure puisqu'elles pourront être chaudes et brûler votre peau.

Installation et enlèvement des meules de sectionnement

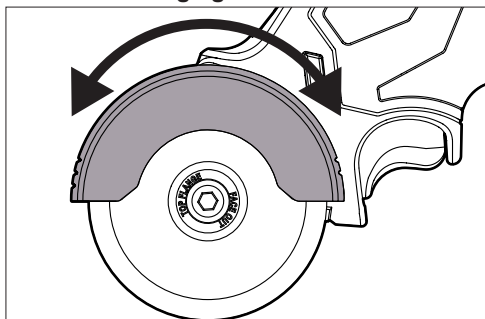
Avant d'utiliser l'outil, veuillez s'assurer que la meule soit en bon état (voir la section « Règles de sécurité particulières »).



1. Pour installer les meules de sectionnement, retirer le bloc-piles.
2. Mettre l'outil sur une surface stable, avec le carter orienté vers le haut.
3. Retirer l'assemblage de patin à poussière (voir la section « Installation, enlèvement et réglage de l'assemblage de patin à poussière »).
4. Retirer la poussière et le débris des brides, la meule à sectionnement, le boulon, la broche et le carter.
5. Mettre une bride inférieure de 9,5 mm (3/8") ou de 11 mm (7/16") sur la broche dans le sens montré dans l'image, avec la partie plate orientée vers la meule à tronçonner. Le texte « LAME VERS LA BRIDE INFÉRIEURE » sera visible si l'installation s'est faite correctement. Toujours sélectionner la bride qui convient à l'arbre de la meule à tronçonner.
6. Examiner la meule à tronçonner et s'assurer qu'elle ne soit pas endommagée ; remplacer si nécessaire. Mettre la meule sur la broche. Pour des meules dont l'arbre est de 11 mm (7/16"), s'assurer que le moyeu de centrage de la bride convient à son arbre.
7. Lors de l'installation des meules diamantées, veuillez régler le sens de rotation de la meule par rapport à la direction de rotation souhaitée pour l'outil. Les meules diamantées ne couperont pas bien si le sens indiqué sur la meule ne convient pas au sens de rotation.
8. Mettre la bride supérieure sur la broche dans le sens montré dans l'image, avec la partie plate orientée vers la meule à tronçonner. Le texte « BRIDE SUPÉRIEURE VERS L'EXTÉRIEUR » sera visible si l'installation s'est faite correctement.
9. Insérer le boulon dans la broche et le serrer fermement avec une clé hexagonale de 3/16" en tant que vous tenez le verrou de broche.
REMARQUE : Le boulon est fileté à gauche. Pour le serrer, faire tourner le boulon vers la gauche.
10. Démarrer l'outil à sa vitesse à vide afin de garantir que la meule à tronçonner fonctionne librement et n'entre pas en contact avec aucune autre partie.
11. Pour l'enlever, faire ce processus à l'inverse.
REMARQUE : Le boulon est fileté à gauche. Pour le desserrer, faire tourner le boulon vers la droite.

⚠ AVERTISSEMENT Afin de minimiser les risques de blessures au moment de meuler une pièce, toujours régler le carter pour avoir le niveau plus haut de contrôle et protection. Porter des gants pour protéger vos mains lors du réglage du carter.

Réglage du carter



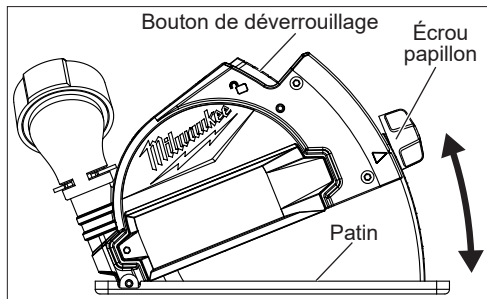
Pour régler le carter :

1. Retirer le bloc-piles.
2. Tenir le carter et le faire tourner vers le front et vers l'arrière (rang de 45°). Toujours mettre le carter dans le site qui offre les meilleures conditions de contrôle et protection.

Installation, enlèvement et réglage de l'assemblage de patin à poussière

L'assemblage de patin à poussière offre la stabilité de coupe, le contrôle de profondeur de coupe et les meilleures conditions d'extraction de poussière.

1. Pour **installer** l'assemblage de patin à poussière, retirer le bloc-piles.
2. Installer la meule correcte pour le travail et faire tourner le carter totalement.
3. Desserrer l'écrou papillon de coupe à profondeur et le rallonger totalement sur le patin. Serrer l'écrou papillon à la main.



4. Manipuler le carter supérieur et la meule pour les faire passer à travers de l'assemblage de patin à poussière et les faire tourner sur l'outil pour les verrouiller en place. Le front du carter restera contre l'arrêt dans l'assemblage tandis que l'arrière du carter attrape la languette de verrouillage.
5. Pour **retirer** l'assemblage de patin à poussière, retirer le bloc-piles.
6. Desserrer l'écrou papillon de coupe à profondeur et le rallonger totalement sur le patin. Serrer l'écrou papillon à la main.
7. Appuyer sur le bouton de verrouillage de patin et faire tourner l'outil pour sortir l'assemblage de patin à poussière.
8. Pour **régler** la profondeur de coupe, desserrer l'écrou papillon de coupe à profondeur et faire le glisser vers le haut ou vers le bas. Utiliser les marquages sur le calibre de profondeur de coupe afin de vous aider à déterminer la profondeur correcte. Ajuster la profondeur de coupe à l'épaisseur de la pièce à couper. Moins de 6 mm (1/4") de la meule doivent être visibles sous la pièce à couper.

Utilisation du commutateur

Il est possible de régler le commutateur dans trois positions : front, inverse et verrouillé. L'indicateur sur la partie supérieure de l'outil affichera la position actuelle. Le commutateur de contrôle ne pourra pas être réglé quand le commutateur I/O n'est pas appuyé, ceci grâce à son mécanisme de verrouillage. Toujours laisser le moteur s'arrêter complètement avant d'utiliser le commutateur.

Quelques applications ou accessoires pourront requérir que l'outil se fasse fonctionner dans la position front ou inverse. Lors de la réalisation d'une coupe, sélectionner le sens de coupure qui permettra que l'outil se déplace loin de votre corps. Lors de

l'installation d'une meule diamantée, sélectionner le sens de rotation qui convient à la flèche sur la meule.

1. Pour avoir une rotation **vers le front** (vers la droite), pousser le commutateur dans le côté gauche de l'outil.
2. Pour avoir une rotation à **l'inverse** (vers la gauche), pousser le commutateur dans le côté droit de l'outil.
3. Pour **verrouiller** la gâchette, pousser le commutateur vers sa position centrale. La gâchette ne fonctionnera pas quand le contrôle commutateur est réglé en position de verrouillage. Toujours retirer le bloc-piles avant de faire l'entretien, changer les accessoires, ranger l'outil et quand l'outil ne soit pas utilisé.

⚠ AVERTISSEMENT Afin de minimiser le risque de blessures lorsque de travaux sont faits dans de situations poussiéreuses, porter une protection respiratoire ou bien, utiliser une solution d'extraction de poussière conforme aux normes OSHA.

Toujours tenir le tuyau de l'extracteur de poussière loin du chemin de la coupe et loin de la meule à tronçonner. Garantir que le tuyau de l'extracteur de poussière n'interfère pas avec les actions de l'opérateur ni la pièce à travailler. Lorsqu'on n'utilise pas la fonction d'extraction de poussière, toujours remplacer le bouchon pour éviter que la poussière et le débris soient éjectés vers l'opérateur.

Aspiration de poussière

Pour utiliser un extracteur de poussière :

1. Installer l'assemblage de patin à poussière.
2. Déboucher l'accessoire de dépoussiérage.
3. Faire tourner le tuyau d'extraction de poussière (DEK26 o de diamètre de 32 mm (1,25")) dans l'ouverture afin de qu'il soit bien serré. **AVERTISSEMENT** ! Toujours tenir le tuyau de l'extracteur de poussière loin du chemin de la coupe et loin de la meule à tronçonner.
4. Pour le retirer, faire tourner le tuyau d'extraction de poussière et l'enlever. Remplacer le capuchon. **AVERTISSEMENT** ! Toujours remplacer le bouchon pour éviter que la poussière et le débris soient éjectés vers l'opérateur.

MANIEMENT

⚠ AVERTISSEMENT Afin de minimiser le risque de blessures, toujours porter la protection oculaire appropriée certifiée conforme à la norme ANSI Z87.1.

Lorsque de travaux sont faits dans de situations poussiéreuses, porter une protection respiratoire ou bien, utiliser une solution d'extraction de poussière conforme aux normes OSHA.

Retirer le bloc-piles avant de changer d'accessoire ou d'effectuer un réglage.

Cet outil est conçu pour couper de métal et de matériaux non métalliques. Pour minimiser le risque de blessures, NE PAS utiliser une lame dentée.

Pour des meules abrasives diamantées à sec/mouillé, utiliser uniquement de l'eau fraîche et éviter l'humidification excessive de la pièce à travailler. Ne jamais immerger votre outil ni le bloc-piles dans un liquide ni laisser un liquide s'infiltrer dans ceux-ci.

Prévention de rebond

Le rebond est la réaction soudaine à une meule accrochée, laquelle puisse causer que l'outil à sectionnement décontrôlé s'élève et soit éjecté vers l'opérateur. Prendre les précautions ci-dessous, lesquelles vous aideront à prévenir le rebond.

- **Maintenir une prise ferme et tenir le corps dans la position correcte.** Mettre les bras et le corps dans la bonne position pour contrôler la réaction vers l'arrière et le haut causée par la force de rebond. Garder le contrôle de l'outil de sectionnement à tout moment.
- **Ne régler la profondeur de coupe qu'à celle qui est nécessaire.** Moins la meule est exposée, moins il sera possible qu'une action de coincement et de rebond se produise. Avant de toute action de coupe, veuillez s'assurer que l'assemblage de patin à poussière soit bien serré.
- **Toujours permettre que la meule s'arrête complètement avant de retirer l'outil à sectionnement de la pièce à travailler.** Ne jamais retirer l'outil à sectionnement d'une coupe en tant que la meule est toujours en mouvement. Si vous voulez commencer encore une fois ou corriger la direction au milieu d'une coupe, laisser la meule s'arrêter, retirer l'outil à sectionnement quelques centimètres et la centrer par rapport au trait avant de se remettre à travailler.
- **Rester vigilant.** Toute distraction pourra causer un effet de torsion ou de coincement. Les coupes répétitives pourront donner à l'utilisateur un faux sentiment de familiarité et lui faire réaliser des mouvements inattentifs.
- **Ne pas forcer l'outil.** Forcer un outil à sectionnement réduit le contrôle et l'efficacité de coupe. Si le rebond se produise, continuer à tenir fermement l'outil à sectionnement et relâcher la gâchette immédiatement.

Réalisation des coupes

1. Retirer le bloc-piles.
2. Installer la meule à tronçonner correcte selon le matériel en question et régler le carter. Installer l'assemblage de patin à poussière si possible.
3. Régler la profondeur de coupe lors de l'utilisation de l'assemblage de patin à poussière.
4. Insérer le bloc-piles.
5. Aligner la coupe mais ne pas laisser la meule à tronçonner entrer en contact avec la pièce à travailler.
6. Pour **démarrer** l'outil, appuyer sur la gâchette et laisser l'outil parvenir à sa vitesse maximale avant de commencer la coupe. Faire passer doucement l'outil à travers de la pièce à travailler.
REMARQUE : Toujours commencer avec la coupe en appuyant doucement l'outil sur la pièce de travail. Ne pas frapper ni heurter la meule à tronçonner quand vous commencez à faire une coupe ni au milieu d'elle. Toujours tenir l'outil loin de votre corps.
7. Lors de la réalisation d'une coupe, maintenir le patin plat contre la pièce de travail et maintenir une prise ferme. Ne pas forcer l'outil à sectionnement pour traverser la pièce à travailler. Forcer l'outil à sectionnement pourra provoquer un effet de rebond.
8. Pour **arrêter** l'outil, relâcher la gâchette. Laisser la meule à tronçonner s'arrêter complètement avant de la retirer d'une coupe.
9. Si vous voulez faire une coupe partielle, recommencer une coupe ou corriger sa direction, laisser la

- meule s'arrêter complètement. Pour reprendre une coupe, centrer la meule par rapport au trait (rainure), retirer la scie loin du rebord tranchant, appuyer sur la gâchette et reprendre doucement la coupe.
10. Lors de la réalisation de coupes sur plastique, éviter le surchauffage de la lame afin d'éviter que la pièce à travailler se fonde.
 11. Si l'outil à sectionnement se bloque ou surchauffe, maintenir une prise ferme et relâcher la gâchette immédiatement. Laisser l'outil refroidir avant de continuer.

ENTRETIEN

⚠ AVERTISSEMENT Pour minimiser les risques de blessures corporelles, **débranchez le chargeur et retirez la batterie du chargeur ou de l'outil avant d'y effectuer des travaux d'entretien. Ne démontez jamais l'outil, la batterie ou le chargeur. Pour toute réparation, consultez un centre de service MILWAUKEE accrédité.**

Entretien de l'outil

Gardez l'outil en bon état en adoptant un programme d'entretien ponctuel. Inspectez votre outil pour des questions telles que le bruit excessif, de grippage des pièces mobiles, de pièces cassées ou toute autre condition qui peut affecter le fonctionnement de l'outil. Retournez votre outil à un centre de service MILWAUKEE accrédité pour obtenir le service. Après une période pouvant aller de 6 mois à un an, selon l'usage, retournez votre outil à un centre de service MILWAUKEE accrédité pour d'inspection.

Si l'outil ne démarre pas ou ne fonctionne pas à pleine puissance alors qu'il est branché sur une batterie complètement chargée, nettoyez les points de contact entre la batterie et l'outil. Si l'outil ne fonctionne toujours pas correctement, renvoyez l'outil, le chargeur et la batterie à un centre de service MILWAUKEE accrédité.

⚠ AVERTISSEMENT Pour minimiser les risques de blessures ou de dommages à l'outil, **n'immergez jamais l'outil, la batterie ou le chargeur et ne laissez pas de liquide s'y infiltrer.**

Nettoyage

Débarrassez les événements des débris et de la poussière. Gardez les poignées propres, à sec et exemptes d'huile ou de graisse. Le nettoyage doit se faire avec un linge humide et un savon doux. Certains nettoyeurs tels l'essence, la térébenthine, les diluants à laque ou à peinture, les solvants chlorés, l'ammoniaque et les détergents d'usage domestique qui en contiennent pourraient détériorer le plastique et l'isolation des pièces. Ne laissez jamais de solvants inflammables ou combustibles auprès des outils.

Réparations

Pour les réparations, retournez outil, batterie et chargeur en entier au centre-service le plus près.

ACCESSOIRES

⚠ AVERTISSEMENT L'utilisation d'autres accessoires que ceux qui sont spécifiquement recommandés pour cet outil peut comporter des risques.

Pour une liste complète des accessoires, visiter le site internet www.milwaukeetool.com ou contactez un distributeur.

SERVICE - CANADA

Milwaukee Tool (Canada) Ltd

1.800.268.4015

Monday-Friday, 7:00 AM - 4:30 PM CST

www.milwaukeetool.ca

GARANTIE LIMITÉE - AUX ÉTATS-UNIS ET AU CANADA

Chaque outil électrique MILWAUKEE (voir exceptions ci-dessous) est garanti à l'acheteur d'origine uniquement pour être exempt de vices de matériaux et de fabrication. Sous réserve de certaines exceptions, MILWAUKEE réparera ou remplacera toute pièce d'un outil électrique qui, après examen par MILWAUKEE, s'est avérée être affectée d'un vice de matériau ou de fabrication et ce pendant une période de cinq (5) ans** à compter de la date d'achat, sauf indication contraire. Retourner l'outil électrique à un centre de réparation en usine MILWAUKEE ou à un poste d'entretien agréé MILWAUKEE, en port prépayé et assuré. Une copie de la preuve d'achat doit être présentée lors du retour du produit. Cette garantie ne couvre pas les dommages que MILWAUKEE détermine être causés par des réparations ou des tentatives de réparation par quiconque autre que le personnel agréé par MILWAUKEE, ou par des utilisations incorrectes, des altérations, des utilisations abusives, une usage normale, une carence d'entretien ou des accidents.

Usure normale : Plusieurs outils électriques requièrent un remplacement et un entretien périodique de leurs pièces pour un meilleur rendement. Cette garantie ne couvre pas la réparation des pièces due à l'utilisation normale de l'outil, y compris, mais sans s'y limiter, les mandrins, les brosses, les cordes, les sabots de scie, les portelames, les joints toriques, les joints, les amortisseurs, les lames d'entraînement, les pistons, les perceurs, les crochets et les rondelles à couvercle amortisseur.

*Cette garantie ne s'applique pas aux cloueuses-agrafeuses pneumatiques, aux pulvérisateurs à peinture sans air, aux blocs-piles pour outils sans fil, aux génératrices d'alimentation portatives à essence, aux outils à main, aux monte-charge - électriques, à levier et à chaîne, aux vestes chauffantes M12™, aux produits ré-usinés, ni aux produits d'essai et de mesure. Il existe des garanties séparées distinctes pour ces produits.

**La période de garantie applicable pour les radios de chantier, le port d'alimentation M12™, la source électrique M18™, le ventilateur de chantier et les chariots de travail industriels Trade Titan™ est d'une durée d'un (1) an à compter de la date d'achat. La période de garantie pour les Câbles de nettoyage des canalisations est de deux (2) ans à compter de la date d'achat. La période de garantie pour le Pistolet thermique compact M18™ et Dépoussiéreur de 8 gallons est de trois (3) ans à compter de la date d'achat. La période de garantie couvrant la DEL de la lampe de travail à DEL et l'ampoule améliorée à DEL de la lampe de travail est une garantie à vie du produit soumise aux limitations ci-dessus. En cas de défaillance de la DEL ou de l'ampoule à DEL pendant son utilisation normale, la pièce défaillante sera remplacée gratuitement.

L'enregistrement de la garantie n'est pas nécessaire pour bénéficier de la garantie en vigueur sur un outil électrique MILWAUKEE. La date de fabrication du produit servira à établir la période de garantie, si aucune preuve d'achat n'est fournie lorsqu'une demande de service sous garantie est déposée.

L'ACCEPTATION DES RECOURS EXCLUSIFS DE RÉPARATION ET DE REMPLACEMENT DÉCRITS DANS LES PRÉSENTES EST UNE CONDITION DU CONTRAT D'ACHAT DE TOUT PRODUIT MILWAUKEE. SI VOUS N'ACCEPTÉZ PAS CETTE CONDITION, VOUS NE DEVEZ PAS ACHETER LE PRODUIT. EN AUCUN CAS, MILWAUKEE NE SAURAIT ÊTRE RESPONSABLE DE TOUT DOMMAGE ACCESSOIRE, SPÉCIAL OU INDIRECT, DE DOMMAGES INTÉRÊTS PUNITIFS OU DE TOUTE DÉPENSE, D'HONORAIRES D'AVOCAT, DE FRAIS, DE PERTE OU DE DÉLAIS ACCESSOIRES À TOUT DOMMAGE, DÉFAILLANCE OU DÉFAUT DE TOUT PRODUIT, Y COMPRIS NOTAMMENT LES PERTES DE PROFIT. CERTAINS ÉTATS ET PROVINCES NE PERMETTANT L'EXCLUSION OU LA LIMITATION DES DOMMAGES DIRECTS OU INDIRECTS, LES RESTRICTIONS CI-DESSUS PEUVENT NE PAS VOUS ÊTRE APPLICABLES. CETTE GARANTIE EST EXCLUSIVE ET REMPLACE TOUTE AUTRE GARANTIE EXPRESSE, QU'ELLE SOIT VERBALE OU ÉCRITE. DANS LA MESURE PERMISE PAR LA LOI, MILWAUKEE RENONCE À TOUTE GARANTIE IMPLICITE, Y COMPRIS, MAIS SANS S'Y LIMITER, TOUTE GARANTIE IMPLICITE DE QUALITÉ MARCHANDE OU D'ADAPTATION À UNE UTILISATION OU À UNE FIN PARTICULIÈRE, DANS LA MESURE OU UNE TELLE STIPULATION D'EXONÉRATION N'EST PAS PERMISE PAR LA LOI. LA DURÉE DE CES GARANTIES IMPLICITES EST LIMITÉE À LA PÉRIODE APPLICABLE DE LA GARANTIE EXPRESSE, TEL QUE CELA EST DÉCRIT PRÉCÉDEMMENT. CERTAINS ÉTATS ET PROVINCES NE PERMETTANT PAS DE LIMITATION DE DURÉE DES GARANTIES IMPLICITES, LES RESTRICTIONS CI-DESSUS PEUVENT DONC NE PAS VOUS ÊTRE APPLICABLES. LA PRÉSENTE VOUS CONFÈRE DES DROITS LÉGAUX PARTICULIERS; VOUS BÉNÉFICIEZ ÉGALEMENT D'AUTRES DROITS QUI VARIENT D'UN ÉTAT À UN AUTRE.

Cette garantie s'applique aux produits vendus aux États-Unis et au Canada uniquement.

Veillez consulter la rubrique Centre SAV Milwaukee, dans la section Pièces et Services du site Web de MILWAUKEE, à l'adresse www.milwaukeetool.com, ou composer le 1-800-SAWDUST (1-800-729-3878) afin de trouver le centre de service de votre région le plus proche pour l'entretien, sous garantie ou non, de votre outil électrique Milwaukee.

GARANTIE LIMITÉE - MEXIQUE, AMÉRIQUE CENTRALE ET CARAÏBES

TECHTRONIC INDUSTRIES' garantit le produit pendant 5 ans à partir de la date d'achat d'origine.

Le présent bon de garantie couvre tous les vices de matériau et de fabrication que peut afficher ce produit.

Pour assurer la validité de la présente garantie, veuillez présenter ce bon de garantie, estampillé du sceau du distributeur ou du magasin où le produit a été acheté, au centre de réparations agréé. Si le bon de garantie n'a pas été estampillé, veuillez fournir la preuve d'achat d'origine au centre de réparations agréé.

Pour un entretien des pièces, des accessoires ou des composants, composer sans frais le 1-800-030-7777 afin d'obtenir les coordonnées du centre de réparations agréé le plus près

Procédure pour assurer la validité de la garantie

Présenter le produit au centre de réparations agréé, accompagné du bon de garantie estampillé du sceau du distributeur ou du magasin où le produit a été acheté. Toute pièce défectueuse ou tout composant défectueux sera remplacé(e) sans frais. Milwaukee assume tous les frais de transport liés à ce processus de garantie.

Exceptions

Cette garantie ne s'applique pas dans les situations suivantes :

- Si le produit a été utilisé pour une fin autre que celle indiquée dans le guide de l'utilisateur final ou le manuel d'instructions.
- Si les conditions d'utilisations ne sont pas habituelles.
- Si le produit a été modifié ou réparé par une personne non autorisée par TECHTRONIC INDUSTRIES.

Remarque : Si le cordon électrique est endommagé, il doit être remplacé par un centre de réparations agréé pour éviter les risques d'électrocution.

CENTRE DE RÉPARATIONS ET DE SERVICE

Composer le 01 (800) 030-7777

IMPORTÉ ET COMMERCIALISÉ PAR

TECHTRONIC INDUSTRIES, MEXIQUE, SA DE CV

Av President Masarik #29 piso 7, Col. Polanco V Sección

CP 11560, Deleg. Miguel Hidalgo, CDMX

Modèle : _____

Date d'achat : _____

Sceau du distributeur ou du magasin : _____

ADVERTENCIAS DE SEGURIDAD GENERALES PARA LA HERRAMIENTA ELÉCTRICA

⚠️ ADVERTENCIA Lea todas las advertencias de seguridad, instrucciones, ilustraciones y especificaciones con esta herramienta eléctrica. Si no sigue todas las advertencias e instrucciones, se pueden provocar una descarga eléctrica, un incendio o lesiones graves. Guarde todas las advertencias e instrucciones para consultarlas en el futuro. El término "herramienta eléctrica" en todas las advertencias incluidas más abajo se refiere a su herramienta operada por conexión (cable) a la red eléctrica o por medio de una batería (inalámbrica).

SEGURIDAD EN EL ÁREA DE TRABAJO

- **Mantenga el área de trabajo limpia y bien iluminada.** Las áreas desordenadas u oscuras son propicias para los accidentes.
- **No utilice herramientas eléctricas en atmósferas explosivas, tales como en presencia de líquidos, gases o polvos inflamables.** Las herramientas eléctricas generan chispas que pueden encender el polvo o los vapores.

•Mantenga a los niños y a los espectadores alejados mientras utiliza una herramienta eléctrica. Las distracciones pueden ocasionar la pérdida de control.

SEGURIDAD ELÉCTRICA

- Los enchufes de la herramienta eléctrica deben coincidir con el tomacorriente. Nunca modifique el enchufe de ninguna manera. No utilice adaptadores de enchufe con herramientas eléctricas aterrizadas. Los enchufes y tomacorrientes correspondientes sin modificar reducirán el riesgo de descarga eléctrica.
- Evite el contacto corporal con superficies aterrizadas, tales como tuberías, radiadores, estufas y refrigeradores. Existe un riesgo mayor de descarga eléctrica si su cuerpo está aterrizado.
- No exponga las herramientas eléctricas a la lluvia ni a condiciones húmedas. Si se introduce agua en una herramienta eléctrica, aumentará el riesgo de descarga eléctrica.
- No maltrate el cable. Nunca utilice el cable para cargar, jalar o desconectar la herramienta eléctrica. Mantenga el cable alejado del calor, el aceite, los bordes afilados o las partes en movimiento. Los cables dañados o enredados aumentan el riesgo de descarga eléctrica.
- Al utilizar una herramienta eléctrica en exteriores, utilice una extensión adecuada para uso en exteriores. El uso de una extensión adecuada para el uso en exteriores disminuye el riesgo de descarga eléctrica.
- Si es inevitable utilizar una herramienta eléctrica en un lugar húmedo, utilice un alimentador de corriente protegido con un interruptor de circuito por falla de conexión a tierra (GFCI). El uso de un GFCI reduce el riesgo de descarga eléctrica.

SEGURIDAD PERSONAL

- Manténgase alerta, atento a lo que está haciendo y utilice el sentido común al utilizar una herramienta eléctrica. No utilice una herramienta eléctrica mientras está cansado o bajo la influencia de drogas, alcohol o medicamentos. Un momento de distracción al utilizar herramientas eléctricas puede ocasionar lesiones personales graves.
- Utilice equipo de protección personal. Siempre use protección para los ojos. El equipo de protección, tal como una máscara contra polvo, calzado antideslizante, casco o protección auditiva, utilizado para condiciones adecuadas disminuirá las lesiones personales.
- Evite el arranque accidental. Asegúrese de que el interruptor esté en la posición de apagado antes de conectarlo a una fuente de poder y/o batería, levantar o trasladar la herramienta. Trasladar herramientas con el dedo en el interruptor o energizar herramientas eléctricas que tienen el interruptor encendido propicia accidentes.
- Retire cualquier llave de ajuste antes de entender la herramienta. Una llave que se deje insertada en una parte giratoria de la herramienta eléctrica puede ocasionar lesiones personales.
- No estire el cuerpo demasiado. Mantenga un buen contacto entre los pies y el suelo y mantenga el equilibrio en todo momento. Esto permite un mejor control de la herramienta eléctrica en situaciones inesperadas.
- Vístase adecuadamente. No utilice ropa o joyería holgada. Mantenga el cabello y la ropa alejados de las partes móviles. La ropa holgada, las alhajas o el cabello largo pueden quedarse atrapados en las partes móviles.

•Si se proporcionan dispositivos para la conexión de instalaciones de extracción y recolección de polvo, cerciórese de que estén conectados y se utilicen correctamente. El uso de dispositivos recolectores de polvo puede disminuir los riesgos relacionados con el polvo.

•No permita que la familiaridad por el uso frecuente de las herramientas lo hagan sentirse seguro e ignorar los principios de seguridad de las herramientas. Un descuido puede provocar lesiones graves en una fracción de segundo.

USO Y CUIDADO DE LAS HERRAMIENTAS ELÉCTRICAS

- No fuerce la herramienta eléctrica. Utilice la herramienta eléctrica correcta para su aplicación. La herramienta eléctrica correcta realizará el trabajo mejor y con mayor seguridad a la velocidad para la que fue diseñada.
- No utilice la herramienta eléctrica si el interruptor no la enciende y la apaga. Cualquier herramienta eléctrica que no pueda controlarse con el interruptor es peligrosa y debe repararse.
- Desconecte el enchufe de la fuente de energía y/o quite la batería de la herramienta eléctrica, si es posible, antes de realizar cualquier ajuste, cambiar accesorios o almacenar las herramientas eléctricas. Tales medidas preventivas de seguridad disminuyen el riesgo de que la herramienta eléctrica se encienda accidentalmente.
- Almacene las herramientas eléctricas que no se estén utilizando fuera del alcance de los niños y no permita que personas que no estén familiarizadas con la herramienta eléctrica o con estas instrucciones la utilicen. Las herramientas eléctricas son peligrosas en manos de usuarios sin capacitación.
- Dé mantenimiento a las herramientas eléctricas y accesorios. Verifique que no haya desalineación, amarre de partes móviles, partes rotas o alguna otra condición que pueda afectar el funcionamiento de la herramienta eléctrica. Si se daña, asegúrese de que la herramienta eléctrica sea reparada antes de que se utilice. Muchos accidentes son ocasionados por herramientas eléctricas con mantenimiento deficiente.
- Mantenga las herramientas de corte afiladas y limpias. Las herramientas de corte correctamente mantenidas con bordes de corte afilados son menos propensas a atorarse y son más fáciles de controlar.
- Utilice la herramienta eléctrica, los accesorios y las puntas, etc. de acuerdo con estas instrucciones, tomando en cuenta las condiciones de trabajo y el trabajo a realizar. El uso de la herramienta eléctrica para operaciones diferentes a las previstas podría generar una situación peligrosa.
- Mantenga las empuñaduras y ñas superficies de sujeción secas, limpias y libres de aceite y grasa. Las empuñaduras y superficies de sujeción resbalosas no permiten el manejo y control seguros de la herramienta en situaciones inesperadas.

USO Y CUIDADO DE LAS HERRAMIENTAS CON BATERÍA

- Recargue únicamente con el cargador especificado por el fabricante. Un cargador que es adecuado para un tipo de batería puede crear un riesgo de incendio si se utiliza con otra batería.
- Utilice las herramientas eléctricas únicamente con baterías específicamente diseñadas. El uso de cualquier otra batería puede producir un riesgo de lesiones e incendio.

- Cuando la batería no esté en uso, manténgala alejada de otros objetos metálicos como sujetapapeles, monedas, llaves, clavos, tornillos u otros objetos metálicos pequeños que puedan formar una conexión de una terminal a otra. Crear un corto entre las terminales de la batería puede ocasionar quemaduras o un incendio.
- Bajo condiciones de maltrato, el líquido puede ser expulsado de la batería, evite el contacto. En caso de contacto accidental, lave con agua. Si el líquido entra en contacto con los ojos, busque además ayuda médica. El líquido expulsado de la batería puede causar irritación o quemaduras.
- No use una batería o herramienta que se haya dañado o modificado. Las baterías dañadas o modificadas pueden mostrar un comportamiento impredecible, causando incendios, explosión o riesgo de lesión.
- No exponga una batería o herramienta al fuego o a temperatura excesiva. La exposición a fuego o temperatura a más de 130° C (265° F) puede causar explosiones.
- Siga todas las instrucciones de carga y no cargue la batería o la herramienta fuera del rango de temperatura especificado en las instrucciones. La carga incorrecta o a temperaturas fuera del rango especificado puede dañar la batería y aumentar el riesgo de incendio.
- No utilice discos desgastados reforzados de herramientas eléctricas más grandes. Los discos diseñados para herramientas eléctricas más grandes no son adecuados para la mayor velocidad de una herramienta de menor tamaño y pueden explotar.
- El diámetro exterior y el grosor de su accesorio deben estar dentro de la clasificación de capacidad de su herramienta eléctrica. Los accesorios de tamaño incorrecto no pueden resguardarse o controlarse correctamente.
- El tamaño del eje de los discos y las bridas debe encajar correctamente en el husillo de la herramienta eléctrica. Los discos y bridas que tengan orificios de eje que no coincidan con la tornillería de montaje de la herramienta eléctrica se desbalancearán, vibrarán excesivamente y pueden ocasionar pérdida de control.
- No utilice discos dañados. Antes de utilizar, revise que los discos no estén rotos ni cuarteados. Si la herramienta eléctrica o el disco cae al suelo, inspecciónelo para detectar daños o instale un accesorio sin daños. Después de inspeccionar e instalar el disco, tanto usted como los espectadores deben colocarse alejados del plano del disco giratorio y hacer operar la herramienta eléctrica a la máxima velocidad sin carga durante un minuto. Los discos dañados normalmente se romperán durante este tiempo de prueba.
- Utilice equipo de protección personal. Dependiendo de la aplicación, utilice una careta, gafas o lentes de seguridad. Según corresponda, utilice mascarilla para polvo, protectores auditivos, guantes y mandil de taller capaz de detener pequeños fragmentos abrasivos o de la pieza de trabajo. La protección ocular debe ser capaz de detener residuos voladores generados por las distintas operaciones. La mascarilla para polvo o el respirador debe ser capaz de filtrar partículas generadas por su operación. La exposición prolongada al ruido de alta intensidad puede ocasionar pérdida auditiva.

MANTENIMIENTO

- Lleve su herramienta eléctrica a servicio con un técnico calificado que use únicamente piezas de reemplazo idénticas. Esto asegurará que la seguridad de la herramienta eléctrica se mantenga.
- Nunca dé servicio a baterías dañadas. Únicamente el fabricante o proveedores de servicio autorizados deben dar servicio a las baterías.

REGLAS ESPECIFICAS DE SEGURIDAD PARA HERRAMIENTAS DE CORTE

Advertencias de seguridad de una máquina de corte

- La guarda incluida con la herramienta debe colocarse firmemente en la herramienta eléctrica y posicionarse para máxima seguridad, de manera que la mínima cantidad de disco quede expuesta hacia el operador. Aléjese usted como los observadores del plano del disco giratorio. La guarda ayuda a proteger al operador de fragmentos rotos de disco y de contacto accidental con el disco.
- Utilice únicamente discos de corte de unión reforzados o de diamante para su herramienta eléctrica. No es suficiente con que un accesorio pueda acoplarse a la herramienta para garantizar una operación segura.
- La velocidad nominal del accesorio debe ser al menos equivalente a la velocidad máxima marcada en la herramienta eléctrica. Los accesorios que operan a una velocidad mayor que su velocidad nominal pueden quebrarse y lanzar piezas al aire.
- Los discos deben usarse únicamente para las aplicaciones recomendadas. Por ejemplo: no rectifique con el costado del disco para corte. Los discos de corte abrasivo tienen por objeto utilizarse en rectificado periférico. Si se aplican fuerzas laterales a estos discos, pueden ocasionar quebradura.
- Siempre utilice bridas de discos sin daños que sean del diámetro correcto para el disco seleccionado. Las bridas de disco correctas proveen soporte al disco, reduciendo así la posibilidad de quebradura del mismo.
- Mantenga a los espectadores a una distancia segura del área de trabajo. Toda persona que entre al área de trabajo debe utilizar equipo de protección personal. Los fragmentos de la pieza de trabajo o de un disco roto pueden salir volando y causar lesiones más allá del área inmediata de operación.
- Al realizar una operación donde el accesorio de corte pueda entrar en contacto con cableado oculto, sostenga la herramienta eléctrica únicamente de las superficies de empuñadura aisladas. El contacto del accesorio de corte con un cable que conduzca electricidad puede hacer que las partes metálicas de la herramienta se electrifiquen y podría ocasionar una descarga eléctrica al operador.
- Nunca coloque la herramienta eléctrica sobre una superficie hasta que el accesorio se haya detenido por completo. El disco giratorio puede agarrar la superficie y jalar la herramienta eléctrica, quitándole el control.
- No opere la herramienta eléctrica mientras la carga al lado de su cuerpo. El contacto accidental con el accesorio giratorio podría ocasionar que su ropa se enganchara, jalando el accesorio hacia su cuerpo.
- Limpie periódicamente las rejillas de ventilación de la herramienta eléctrica. El ventilador del motor puede atraer el polvo hacia el interior de la carcasa y la acumulación excesiva de metal en polvo puede causar riesgos eléctricos.
- No opere la herramienta eléctrica cerca de materiales inflamables. No opere la herramienta eléctrica mientras está colocada en una superficie combus-

tible, como madera. Las chispas podrían incendiar estos materiales.

Contragolpe y advertencias relacionadas

-El contragolpe es una reacción repentina a un disco giratorio, soporte, cepillo o cualquier otro accesorio que se atora o engancha. Los atorones o enganchamientos ocasionan el paro rápido del accesorio giratorio, lo que a su vez ocasiona que la herramienta eléctrica sin control sea forzada en dirección contraria a la rotación del accesorio en el punto de unión.

Por ejemplo, si un disco abrasivo se atora o engancha con la pieza de trabajo, el borde del disco que está entrando en el punto de agarre puede enterrarse en la superficie del material, ocasionando que el disco se salga o se bote. El disco puede saltar hacia el operador o en dirección contraria, dependiendo de la dirección del movimiento del disco en el momento del contacto. Los discos abrasivos también pueden quebrarse bajo estas condiciones.

-El contragolpe es el resultado del uso incorrecto de la herramienta eléctrica y/o de procedimientos o condiciones de operación incorrectos y puede evitarse tomando las precauciones correspondientes que se indican a continuación.

•**Mantenga un agarre firme de la herramienta eléctrica y posicione su cuerpo y su brazo para permitirle resistir las fuerzas del contragolpe. Siempre utilice una empuñadura auxiliar, si se proporciona, para máximo control sobre el contragolpe o la reacción de torque durante el arranque.** El operador puede controlar las acciones de torque o las fuerzas de contragolpe si se toman las precauciones correspondientes.

•**Nunca coloque su mano cerca del accesorio giratorio.** El accesorio puede golpearle la mano con el contragolpe.

•**No posicione su cuerpo en línea con el disco giratorio del mismo.** El contragolpe impulsará la herramienta en la dirección contraria al movimiento del disco en el punto de enganchamiento.

•**Ponga especial cuidado al trabajar en esquinas, bordes afilados, etc. Evite hacer rebotar y enganchar el accesorio.** Las esquinas, los bordes afilados o el rebote tienen una tendencia a ocasionar enganchamientos del accesorio giratorio y ocasionar pérdida de control o contragolpe.

•**No sujete una sierra eléctrica, hoja de sierra dentada, disco segmentado de diamante con un hueco periférico mayor a 10 mm (3/8") o una hoja de sierra dentada.** Estas hojas generan contragolpes frecuentes y pérdida de control.

•**No "inserte a la fuerza" el disco de corte ni aplique presión excesiva. No intente hacer una profundidad de corte excesiva.** Aplicar un exceso de presión al disco aumenta la carga y la susceptibilidad de que el disco se tuerza o se trabe en el corte y la posibilidad de contragolpe o ruptura del disco.

•**Cuando el disco se esté amarrando o cuando se interrumpa un corte por cualquier motivo, apague la herramienta eléctrica y sosténgala inmóvil hasta que el disco se detenga por completo. Nunca intente retirar el disco del corte mientras aún esté en movimiento, pues puede ocurrir contragolpe.** Investigue y siga una acción correctiva para eliminar la causa del amarre del disco.

•**No reinicie la operación de corte dentro la pieza de trabajo. Deje que el disco alcance la velocidad total y cuidadosamente vuelva a introducirlo al corte.** El disco puede amarrarse, irse hacia arriba o generar contragolpe si la herramienta eléctrica se reinicia dentro de la pieza de trabajo.

•**Provea soporte para los paneles o cualquier pieza de trabajo de gran tamaño para minimizar el riesgo de pellizcamiento y contragolpe del disco.** Las piezas de trabajo grandes tienden a pandearse con su propio peso. Deben colocarse soportes debajo de la pieza de trabajo, cerca de la línea de corte y cerca del borde de la pieza de trabajo a ambos lados del disco.

•**Use precaución adicional al hacer un "corte de bolsillo" en muros existentes u otras áreas donde no haya visibilidad.** El disco saliente puede cortar líneas de gas o agua, cables eléctricos u otros objetos, lo que puede genera contragolpe.

Advertencias de seguridad comunes para operaciones de corte abrasivo:

•**Esta herramienta eléctrica está diseñada para funcionar como herramienta de corte. Lea todas las advertencias, instrucciones e ilustraciones de seguridad y las especificaciones provistas con esta herramienta eléctrica.** No seguir todas las instrucciones que se enumeran a continuación podría provocar una descarga eléctrica, incendio y/o lesiones personales graves.

•**No se recomienda la realización de operaciones como rectificación, lijado, cepillado con alambre o pulido con esta herramienta eléctrica.** Las operaciones para las que no se diseñó esta herramienta eléctrica pueden crear un riesgo y causar lesiones personales.

•**No use accesorios que no estén específicamente diseñados y recomendados por el fabricante de la herramienta.** No es suficiente con que el accesorio pueda acoplarse a la herramienta para garantizar una operación segura.

•**El diámetro exterior y el grosor de su accesorio deben estar dentro de la clasificación de capacidad de su herramienta eléctrica.** Los accesorios de tamaño incorrecto no pueden resguardarse o controlarse correctamente.

•**El tamaño del eje de los discos, bridas, soportes y cualquier otro accesorio debe encajar correctamente en el husillo de la herramienta eléctrica.** Los accesorios que tengan orificios de eje que no coincidan con la tornillería de montaje de la herramienta eléctrica se desbalancearán, vibrarán excesivamente y pueden ocasionar pérdida de control.

Advertencias de seguridad adicionales

•**Utilice prensas de banco u otra forma práctica de sujetar y soportar la pieza de trabajo a una plataforma estable.** Sostener el trabajo en las manos o apoyado contra el cuerpo ocasiona inestabilidad y puede generar pérdida de control.

•**Para reducir el riesgo de explosión, choque eléctrico y daños a la propiedad, siempre revise que el área de trabajo no tenga tuberías de gas, cables eléctricos ni tuberías de agua ocultos al realizar cortes ciegos o por penetración.**

•**Mantenga las manos alejadas de todos los bordes de corte y de las piezas móviles. No meta la mano debajo de la pieza de trabajo.**

• **⚠ ADVERTENCIA** Para reducir el riesgo de lesiones en aplicaciones que producen una cantidad considerable de polvo, use una solución de extracción de polvo que cumpla con OSHA de acuerdo con las instrucciones de operación de la solución.

•**Válgase siempre de su sentido común y sea cuidadoso cuando utilice herramientas.** No es posible anticipar todas las situaciones que podrían tener un desenlace peligroso. No utilice esta herramienta si no entiende estas instrucciones de uso o si considera que el trabajo a realizar supera sus capacidades, comuníquese

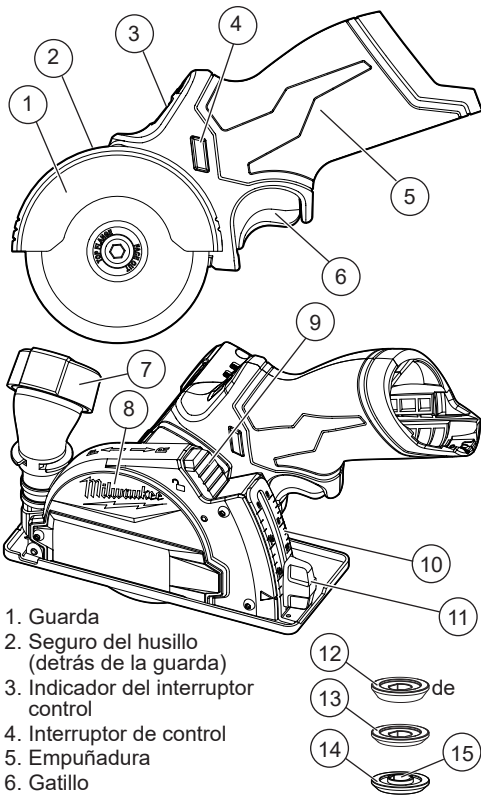
con Milwaukee Tool o con un profesional capacitado para recibir capacitación o información adicional.

• **Conserve las etiquetas y las placas nominales.** Contienen información importante. Si son ilegibles o no están presentes, comuníquese con un centro de servicio MILWAUKEE para obtener un reemplazo gratuito.

• **ADVERTENCIA** Algunos polvos generados por el lijado eléctrico, aserrado, pulido, taladrado y otras actividades de construcción contienen químicos identificados como causantes de cáncer, defectos congénitos u otros daños reproductivos. Algunos ejemplos de estos químicos son:

- plomo de pintura basada en plomo
 - dióxido de silicio de los ladrillos y el cemento y otros productos de albañilería y
 - arsénico y cromo de madera con tratamiento químico.
- Su riesgo por estas exposiciones varía, dependiendo de la frecuencia con que realice este tipo de trabajo. Para reducir su exposición a estos químicos: trabaje en un área bien ventilada y trabaje con equipo de seguridad aprobado, como mascarillas protectoras contra polvo especialmente diseñadas para filtrar partículas microscópicas.

DESCRIPCION FUNCIONAL



1. Guarda
2. Seguro del husillo (detrás de la guarda)
3. Indicador del interruptor control
4. Interruptor de control
5. Empuñadura
6. Gatillo
7. Accesorio de extracción de polvo
8. Ensamblado de la zapata del polvo
9. Botón de liberación de la zapata
10. Profundidad del indicador de corte
11. Profundidad de la tuerca mariposa de corte
12. Brida superior
13. Brida inferior de 9,5 mm (3/8")
14. Brida inferior de 11 mm (7/16")
15. Área de centrado

SIMBOLOGÍA



Volts



Corriente continua

n XXXX min⁻¹ Revoluciones por minuto (RPM)



Leer el manual del operador



Usar protección respiratoria y ocular



UL Listing Mark para Canadá y Estados Unidos

ESPECIFICACIONES

Cat. No.....	2522-20
Volts.....	12 CD
Tipo de batería.....	M12™
Tipo de cargador.....	M12™
RPM.....	20 000
Tamaño del eje.....	76 mm (3")
Taille d'arbre.....	9,5 mm (3/8") o 11 mm (7/16")
Grosor máximo de disco.....	.3 mm (1/8")
Profundidad máxima de corte.....	16,3 mm (0,64")
Temperatura ambiente recomendada para operar.....	-18°C a 50°C (0°F a 125°F)

ENSAMBLAJE

• **ADVERTENCIA** Recargue la batería sólo con el cargador especificado para ella. Para instrucciones específicas sobre cómo cargar, lea el manual del operador suministrado con su cargador y la batería.

Como se inserta/quita la batería en la herramienta

Para **retirar** la batería, presione los botones de liberación y jale de la batería para sacarla de la herramienta.

• **ADVERTENCIA** Para reducir el riesgo de lesiones, extraiga siempre la batería antes de acoplar o desacoplar accesorios. Para **introducir** la batería, deslícela en el cuerpo de la herramienta. Asegúrese de que quede bien firme en su posición.

ADVERTENCIA Utilice únicamente accesorios específicamente recomendados para esta herramienta. El uso de accesorios no recomendados podría resultar peligroso.

Selección de disco

ADVERTENCIA Para reducir el riesgo de lesión utilice solo discos abrasivos y de diamante "1" con un grosor máximo de 3 mm (1/8"), clasificados con una velocidad de operación segura máxima de al menos 20 000 rpm. Los discos tipo 1 son solo para rectificación lateral, no para rectificación de superficie. Lea toda la información de seguridad incluida en los discos de corte.

Siempre utilice el equipo de seguridad correcto, incluya una mascarilla para polvo. Proteja a todos en el área de chispas.

Utilice la siguiente tabla para seleccionar el disco correcto. Distintos tipos de discos funcionan mejor para diferentes materiales. Siga las recomendaciones de uso del fabricante del disco.

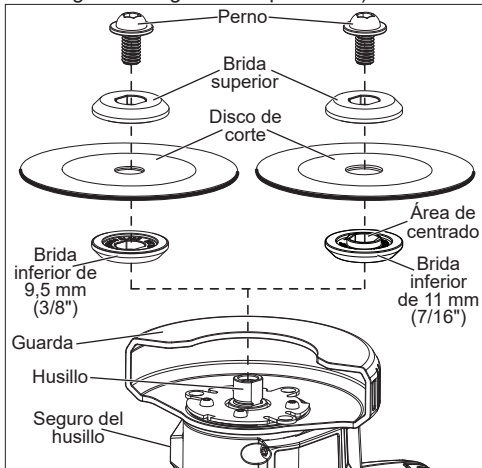
Tipo de disco:	Recomendado para cortar:
Rueda abrasiva de carburo	Tablarroca, fibrocemento, plástico
Disco de corte abrasivo	Acero, acero inoxidable, materiales no ferrosos
Disco abrasivo de diamante	Azulejo, cerámica

ADVERTENCIA Para reducir el riesgo de lesión utilice solo el disco correcto fabricado para esta herramienta. NO utilice ningún tipo de hoja de sierra. Utilice solo discos abrasivos y de diamante. Para garantizar que este disco esté fijo correctamente, siempre utilice la tornillería de montaje incluida con su herramienta.

No toque el disco de corte ni la pieza de trabajo inmediatamente después de cortar; pueden estar calientes y podrían quemar la piel.

Instalación y retiro de los discos de corte

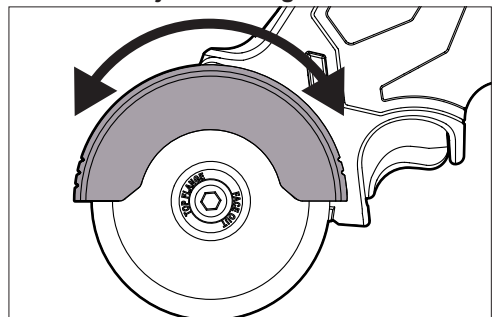
Antes de operar la herramienta, asegúrese de que el disco se encuentre en buenas condiciones (consulte las "Reglas de seguridad específicas").



- Para instalar los discos de corte, extraiga la batería.
- Coloque la herramienta en una superficie firme con la superficie de la guarda hacia arriba.
- Retire el ensamblado de la zapata del polvo (consulte "Instalar, extraer y ajustar el ensamblado de la zapata del polvo").
- Retire polvo y basura de las bridas, el disco de corte, perno, husillo y guarda.
- Coloque una brida inferior de 9,5 mm (3/8") o 11 mm (7/16") en el husillo en la orientación mostrada, con el lado plano hacia el disco de corte. El texto "BRIDA INFERIOR HACIA LA HOJA" estará visible cuando se instale correctamente. Siempre seleccione la brida que coincida con el eje del disco de corte.
- Revise que el disco de corte no tenga daños y reemplace de ser necesario. Coloque el disco hacia el husillo. Para los discos con un eje de 11 mm (7/16"), asegúrese de que el área de centrado de la brida quepa dentro del eje del disco.
- Al instalar discos de diamante, coincida la dirección de rotación del disco a la dirección de rotación deseada de la herramienta. Los discos de diamante no cortarán eficazmente a menos que la dirección marcada en el disco coincida con la dirección de rotación.
- Coloque una brida superior en el husillo en la orientación mostrada, con el lado plano hacia el disco de corte. El texto "BRIDA SUPERIOR HACIA AFUERA" estará visible cuando se instale correctamente.
- Inserte el perno en el husillo y, mientras sostiene el seguro del husillo, apriete el perno con firmeza con una llave hexagonal de 3/16".
NOTA: el perno tiene un enroscado izquierdo. Para apretar, gire el perno hacia la izquierda.
- Opere la herramienta sin carga para asegurarse de que el disco de corte se mueva libremente y no entre en contacto con otras partes.
- Para retirar, invierta el procedimiento.
NOTA: el perno tiene un enroscado izquierdo. Para aflojar, gire el perno hacia la derecha.

ADVERTENCIA Para reducir el riesgo de lesión en una rectificación, siempre ajuste la guarda para proveer el mejor control y protección. Use guantes para proteger las manos al ajustar la guarda.

Ajuste de la guarda



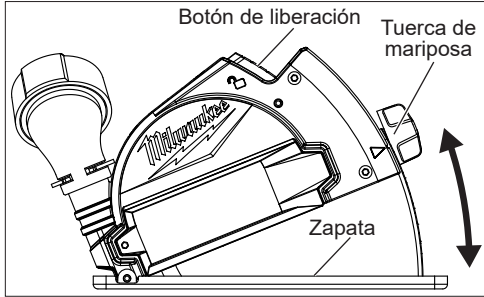
Para ajustar la guarda:

- Extraiga la batería.
- Sostenga la guarda y gire hacia adelante o hacia atrás (rango de 45°). Siempre coloque la guarda en el lugar que ofrezca el mejor control y protección.

Instalación, extracción y ajuste del ensamblado de la zapata del polvo

El ensamblado de la zapata del polvo provee estabilidad de corte, profundidad del control de corte y provisiones para la extracción de polvo.

1. Para **instalar** el ensamblado de la zapata del polvo, extraiga la batería.
2. Instale el disco correcto para el trabajo y gire la guarda totalmente hacia adelante.
3. Afloje la profundidad de la tuerca de mariposa de corte extendiéndola completamente a la zapata. Apriete a mano la tuerca de mariposa.



4. Maniobre la guarda superior y el disco dentro del ensamblado de la zapata del polvo, y gire la herramienta para asegurarla en su lugar. La parte frontal de la guarda se mantendrá contra el tope dentro del ensamblado y la parte trasera de la guarda tomará la pestaña de liberación.
5. Para **retirar** el ensamblado de la zapata del polvo, extraiga la batería.
6. Afloje la profundidad de la tuerca de mariposa de corte extendiéndola completamente a la zapata. Apriete a mano la tuerca de mariposa.
7. Oprima el botón de liberación de la zapata y gire la herramienta hacia afuera del ensamblado de la zapata del polvo.
8. Para **ajustar** la profundidad de corte, afloje la profundidad de la tuerca de mariposa de corte y deslice la zapata hacia arriba o hacia abajo. Use las marcas en la profundidad del indicador de corte para ayudar a determinar la profundidad correcta. Ajuste la profundidad de corte al grosor de la pieza de trabajo. Menos de 6 mm (1/4") del disco debe ser visible debajo de la pieza de trabajo.

Uso del interruptor de control

El interruptor de control puede configurarse en tres posiciones: hacia adelante, hacia atrás y cerrado. El indicador en la parte superior de la herramienta mostrará la posición actual. Dado a un mecanismo de bloqueo, el interruptor de control solo puede ajustarse cuando no se oprime el interruptor de encendido y apagado, ON/OFF. Siempre permita que el motor se detenga por completo antes de utilizar el interruptor de control. Algunas aplicaciones o accesorios pueden requerir que la herramienta se opere hacia adelante o hacia atrás. Al hacer un corte, seleccione la dirección del corte que le permita a la herramienta alejarse de su cuerpo. Cuando instale un disco de diamante, seleccione la rotación que coincida con la flecha en el disco.

1. Para una rotación de **avance** (hacia la derecha), empuje el interruptor de control desde el lado izquierdo de la herramienta.
2. Para una rotación de **reversa** (hacia la izquierda), empuje el interruptor de control desde el lado derecho de la herramienta.

3. Para **bloquear** el gatillo, empuje el interruptor de control a la posición central. El gatillo no funcionará mientras el interruptor de control esté en posición de bloqueado.

Siempre extraiga la batería antes de realizar mantenimiento, cambiar accesorios, guardar la herramienta y en cualquier momento en que la herramienta no esté en uso.

⚠ ADVERTENCIA Con el fin de minimizar el riesgo de lesiones al momento de realizar trabajos en situaciones donde haya presencia de polvo, utilice la protección respiratoria adecuada o utilice una solución de extracción de polvo que cumpla con los requisitos de la OSHA.

Siempre mantenga la manguera extractora de polvo alejada del trayecto del corte y del disco de corte. Asegúrese de que la manguera extractora de polvo no interfiera con el operador ni con la pieza de trabajo.

Cuando no se utilice la extracción de polvo, siempre vuelva a colocar la tapa para evitar que el polvo y basura se dirijan hacia arriba y hacia el operador.

Recolección de polvo

Para usar un extractor de polvo:

1. Instale el ensamblado de la zapata del polvo.
2. Retire la tapa del accesorio de extracción de polvo.
3. Gire la manguera del extractor de polvo (DEK26 o 32 mm (1,25") de diá.) dentro de la abertura para que tenga un ajuste firme. **⚠ ADVERTENCIA!** Siempre mantenga la manguera extractora de polvo alejada del trayecto del corte y del disco de corte.
4. Para quitar, gire la manguera del extractor de polvo y retire. Vuelva a colocar la tapa. **⚠ ADVERTENCIA!** Siempre vuelva a colocar la tapa para evitar que el polvo y la basura se dirijan hacia arriba y hacia el operador.

OPERACION

⚠ ADVERTENCIA Con el fin de minimizar el riesgo de lesiones, siempre utilice la protección de ojos adecuada indicada para cumplir con lo dispuesto en la norma ANSI Z87.1.

Al momento de realizar trabajos en situaciones donde haya presencia de polvo, utilice la protección respiratoria adecuada o utilice una solución de extracción de polvo que cumpla con los requisitos de la OSHA.

Extraiga la batería antes de cambiar los accesorios o hacer ajustes.

Esta herramienta está diseñada para cortar materiales metálicos y no metálicos. Para reducir el riesgo de lesiones, no use una hoja dentada.

Para los discos abrasivo de diamante húmedos/secos, utilice solo agua y limpie y evite humedecer de más la pieza de trabajo. Nunca sumerja su herramienta o batería en líquido ni permita que un líquido fluya dentro de ellas.

Prevención de contragolpe

El contragolpe es una reacción repentina a un disco atorado que podría causar que una herramienta de corte que no esté bajo control se levante y se aleje de la pieza de trabajo y hacia el usuario. Tenga las siguientes precauciones para ayudar a evitar el contragolpe.

- **Mantenga un agarre firme y posición corporal correcta.** Posicione los brazos y el cuerpo para controlar la fuerza de reacción hacia atrás y hacia arriba del contragolpe. Siempre controle la herramienta de corte.
- **Establezca la profundidad de corte hasta donde sea necesario y no más.** Mientras menos exposición tenga el disco, habrá menos posibilidad de amarrarse y de un contragolpe. Antes de cortar, asegúrese de que el ensamblado de la zapata del polvo esté apretado.
- **Siempre permita que el disco se detenga por completo antes de retirar la herramienta de corte de la pieza de trabajo.** Nunca retire la herramienta de corte de un corte mientras el disco está en movimiento. Si está reiniciando o corrigiendo la dirección a medio corte, permita que el disco se detenga, retroceda la herramienta de corte unos centímetros y céntrala en la separación del corte antes de reiniciar.
- **Manténgase alerta.** Cualquier distracción puede provocar que se tuerza o amarre. Los cortes repetitivos pueden provocar que el usuario haga movimientos descuidados.
- **No fuerce la herramienta.** Forzar una herramienta de corte reduce el control y la eficacia de corte. Si ocurriera un contragolpe, siga sosteniendo la herramienta de corte con firmeza y libere inmediatamente el gatillo.

Hacer un corte

1. Extraiga la batería.
2. Instale el disco de corte correcto para el material y ajuste de la guarda. Instale el ensamblado de la zapata del polvo cuando sea posible.
3. Ajuste la profundidad de corte cuando use el ensamblado de la zapata del polvo.
4. Inserte la batería.
5. Alinee el corte, pero no permita que el disco de corte entre en contacto con la pieza de trabajo.
6. Para **encender** la herramienta, jale el gatillo y permita que la herramienta llegue a su velocidad máxima antes de empezar a cortar. Mueva lentamente la herramienta por la pieza de trabajo. **NOTA:** siempre empiece a cortar empujando suavemente la herramienta por la pieza de trabajo. No golpee ni sacuda un disco de corte cuando esté encendiéndose ni durante un corte. Siempre empuje la herramienta alejada de usted.
7. Mientras corta, mantenga la zapata plana contra la pieza de trabajo y agarre con firmeza. No fuerce la herramienta de corte por la pieza de trabajo. Forzar una herramienta de corte puede causar un contragolpe.
8. Para **detener** la herramienta, suelte el gatillo. Permita que el disco de corte se detenga por completo antes de retirar la herramienta de corte.
9. Si va a realizar un corte parcial, va a reiniciar un corte o corregir la dirección del corte, permita que el disco se detenga por completo. Para continuar con el corte, centre el disco en la separación de corte (ranura de corte), retroceda la sierra alejada del borde de corte, jale el gatillo y vuelva a entrar suavemente por el corte.
10. Cuando corte plástico, evite sobrecalentar la hoja para evitar que se derrita la pieza de trabajo.
11. Si se atasca o sobrecalienta la herramienta de corte, agarre con firmeza y libere inmediatamente el gatillo. Permita que la herramienta se enfríe antes de continuar.

MANTENIMIENTO

⚠️ ADVERTENCIA Para reducir el riesgo de una lesión, desconecte siempre la herramienta antes de darle cualquier mantenimiento. Nunca desarme la herramienta ni trate de hacer modificaciones en el sistema eléctrico de la misma. Acuda siempre a un Centro de Servicio MILWAUKEE para TODAS las reparaciones.

Mantenimiento de las herramientas

Adopte un programa regular de mantenimiento y mantenga su herramienta en buenas condiciones. Inspeccione la herramienta para problemas como ruidos indebidos, desalineadas o agarrotadas de partes móviles, piezas rotas o cualquier otra condición que pueda afectar el funcionamiento de la herramienta. Envíe su herramienta al Centro de Servicio MILWAUKEE para reparación. Después de 6 meses a un año, dependiendo del uso dado, envíe su herramienta al Centro de Servicio MILWAUKEE más cercano para la inspección. Si la herramienta no arranca u opera a toda su potencia con una batería completamente cargada, limpie, con una goma o borrador, los contactos de la batería y de la herramienta. Si aun así la herramienta no trabaja correctamente, regrésela, con el cargador y la batería, a un centro de servicio MILWAUKEE.

⚠️ ADVERTENCIA Para reducir el riesgo de lesiones, descarga eléctrica o daño a la herramienta, nunca la sumerja en líquidos ni permita que estos fluyan dentro de la misma.

Limpieza

Limpie el polvo y suciedad de las ventilas. Mantenga los mangos limpios, secos y libres de aceite o grasa. Use solo jabón neutro y un trapo húmedo para limpiar, ya que algunos substancias y solventes limpiadores son dañinos a los plásticos y partes aislantes. Algunos de estos incluyen: gasolina, turpentina, thinner, lacas, thinner para pinturas, solventes para limpieza con cloro, amoníaco y detergentes caseros que tengan amonía. Nunca use solventes inflamables o combustibles cerca de una herramienta.

Reparaciones

Si su herramienta, batería o cargador están dañados, envíela al centro de servicio más cercano.

ACCESORIOS

⚠️ ADVERTENCIA Utilice sólo los accesorios específicamente recomendados. Otros accesorios puede ser peligroso.

Para una lista completa de accesorios, visite nuestro sitio en Internet: www.milwaukeetool.com o póngase en contacto con un distribuidor.

SOPORTE DE SERVICIO - MEXICO

CENTRO DE ATENCION A CLIENTES

Techtron Industries Mexico, S.A. de C.V.

Av. Presidente Masarik 29 Piso 7

11560 Polanco V Seccion

Miguel Hidalgo, Distrito Federal, México

01 (800) 030-7777 o (55) 4160-3540

Lunes a Viernes (9am a 6pm)

O contáctanos en www.milwaukeetool.com.mx

GARANTÍA LIMITADA - E.U.A. YCANADÁ

Cada herramienta eléctrica de MILWAUKEE (ver excepciones a continuación) está garantizada para el comprador original únicamente de que no tenga material y mano de obra defectuosos. Sujeto a ciertas excepciones, MILWAUKEE reparará o reemplazará cualquier parte en una herramienta eléctrica que tenga defectos de material o mano de obra según lo determine MILWAUKEE mediante una revisión, por un periodo de cinco (5) años** después de la fecha de compra a menos que se indique lo contrario. Al devolver la herramienta eléctrica a un Centro de Servicio de la fábrica de MILWAUKEE o a una Estación de Servicio Autorizada de MILWAUKEE, se requiere que el flete esté pagado por adelantado y asegurado. Se debe incluir una copia del comprobante de compra con el producto devuelto. Esta garantía no aplica a daños que MILWAUKEE determine que son ocasionados por reparaciones o intentos de reparaciones realizados por una persona que no sea personal autorizado de MILWAUKEE, uso indebido, alteraciones, maltrato, desgaste normal, falta de mantenimiento o accidentes.

Desgaste normal: Muchas herramientas eléctricas necesitan un reemplazo periódico de partes y servicio para lograr el mejor desempeño. Esta garantía no cubre la reparación cuando el uso normal ha agotado la vida de una parte, incluyendo sin limitar a mandriles, cepillos, cables, zapatas de la sierra, abrazaderas de la hoja, anillos en O, sellos, protectores, hojas de desatornilladores, pistones, herrajes, levantaes y arandelas de cubierta de los protectores.

*Esta garantía no cubre clavadoras y grapadoras neumáticas, pistola de pintura a presión, baterías inalámbricas, generadores de energía portátil de gasolina, herramientas de mano, palanca y cadena de mano de polipasto - eléctricas, indumentaria calefactada M12™, producto reacondicionado y productos de prueba y medición. Existen garantías por separado y distintas disponibles para estos productos.

**El periodo de garantía para los radios para obra, puerto de energía M12™, fuente de poder M18™, ventiladores para obra y carretillas de trabajo industrial Trade Titan™ es de un (1) año a partir de la fecha de compra. El periodo de garantía para los cables de limpieza de drenaje es de dos (2) años a partir de la fecha de compra. El periodo de garantía de la Pistola de calor compacta M18™ de la Extractor de polvo de 8 galones es de tres (3) años a partir de la fecha de compra. El periodo de garantía de las lámparas de LED en la Lámpara de trabajo LED y el Bulbo mejorado de LED para la Luz de trabajo es por la vida del producto sujeto a las limitaciones anteriores. Si durante el uso normal el LED o Bulbo de LED falla, la parte será reemplazada sin cargo. No se requiere el registro de la garantía para obtener la garantía correspondiente a un producto de herramienta eléctrica de MILWAUKEE. La fecha de manufactura del producto se utilizará para determinar el periodo de garantía si no se proporciona comprobante de compra al solicitar el servicio en garantía.

LA ACEPTACIÓN DE LOS REMEDIOS EXCLUSIVOS DE REPARACIÓN Y REEMPLAZO AQUÍ DESCRITOS ES UNA CONDICIÓN DEL CONTRATO PARA LA COMPRA DE TODO PRODUCTO DE MILWAUKEE. SI USTED NO ACEPTA ESTA CONDICIÓN, NO DEBE COMPRAR EL PRODUCTO. MILWAUKEE NO SERÁ RESPONSABLE EN NINGÚN CASO DE DAÑOS INCIDENTALES, ESPECIALES, EMERGENTES O PUNITIVOS NI DE NINGÚN COSTO HONORARIOS LEGALES, GASTOS, PÉRDIDAS O DEMORAS ALLEGADOS COMO CONSECUENCIA DE ALGÚN DAÑO, FALLA O DEFECTO EN NINGÚN PRODUCTO, INCLUYENDO, ENTRE OTROS, RECLAMACIONES POR PÉRDIDA DE UTILIDADES. ALGUNOS ESTADOS NO PERMITEN LA EXCLUSIÓN O LIMITACIÓN DE RESPONSABILIDAD POR DAÑOS INCIDENTALES O EMERGENTES, POR LO QUE LA ANTERIOR LIMITACIÓN O EXCLUSIÓN PODRÍA NO APLICARSE EN SU CASO. ESTA GARANTÍA ES EXCLUSIVA Y REEMPLAZA TODAS LAS DEMÁS GARANTÍAS EXPRESAS, ESCRITAS U ORALES. EN LA MEDIDA EN QUE LO PERMITA LA LEY, MILWAUKEE DESCONOCE CUALQUIER GARANTÍA IMPLÍCITA, INCLUYENDO SIN LIMITACIÓN CUALQUIER GARANTÍA IMPLÍCITA

DE COMERCIABILIDAD O IDONEIDAD PARA UN FIN O USO ESPECÍFICO; EN LA MEDIDA EN QUE DICHO DESCONOCIMIENTO NO SEA PERMITIDO POR LA LEY, DICHAS GARANTÍAS IMPLÍCITAS SE LIMITAN A LA DURACIÓN DE LA GARANTÍA EXPRESA CORRESPONDIENTE SEGÚN SE DESCRIBIÓ ANTERIORMENTE. ALGUNOS ESTADOS NO PERMITEN LIMITACIONES SOBRE LA DURACIÓN DE UNA GARANTÍA IMPLÍCITA, POR LO QUE LA ANTERIOR LIMITACIÓN PODRÍA NO APLICARSE A USTED. ESTA GARANTÍA LE DA DERECHOS LEGALES ESPECÍFICOS Y USTED PODRÍA ADEMÁS TENER OTROS DERECHOS QUE VARIAN DE UN ESTADO A OTRO.

Esta garantía aplica al producto vendido en los Estados Unidos y Canadá únicamente.

Consulte la "Búsqueda de centro de servicio" en la sección de Partes y servicio del sitio web de MILWAUKEE en www.milwaukeetool.com o llame al 1.800.SAWDUST (1.800.729.3878) para localizar su centro de servicio más cercano para darle servicio con y sin garantía a una herramienta eléctrica de Milwaukee.

PÓLIZA DE GARANTÍA - VALIDA SOLO PARA MEXICO, AMÉRICA CENTRAL Y EL CARIBE

La garantía de TECHTRONIC INDUSTRIES es por 5 años a partir de la fecha original de compra.

Esta tarjeta de garantía cubre cualquier defecto de material y mano de obra en ese Producto.

Para hacer válida esta garantía, presente esta tarjeta de garantía, cerrada/sellada por el distribuidor o la tienda donde compró el producto, al Centro de Servicio Autorizado (ASC). O, si esta tarjeta no se ha cerrado/sellado, presente la prueba original de compra a ASC. Llame gratis al 01 (800) 030-7777 para encontrar el ASC más cercano, para servicio, partes, accesorios o componentes.

Procedimiento para hacer válida esta garantía

Lleve el producto a ASC, junto con la tarjeta de garantía cerrada/sellada por el distribuidor o la tienda donde compró el producto, y cualquier pieza o componente defectuoso se reemplazará sin costo para usted. Cubriremos todos los costos de flete con relación a este proceso de garantía

Excepciones

Esta garantía no tendrá validez en las siguientes situaciones:

- Cuando el producto se use de manera distinta a la que indica el manual del usuario final o de instrucciones.
- Cuando las condiciones de uso no sean normales.
- Cuando otras personas no autorizadas por TECHTRONIC INDUSTRIES modifiquen o reparen el producto.

Nota: si el juego de cables está dañado, tiene que reemplazarse en un Centro de Servicio Autorizado para evitar riesgos eléctricos.

CENTRO DE SERVICIO Y ATENCIÓN

Llame al 01 (800) 030-7777

IMPORTADO Y COMERCIALIZADO POR
TECHTRONIC INDUSTRIES, MÉXICO, SA DE CV
Av. President Masarik #29 piso 7, Col. Polanco V Sección
CP 11560, Deleg. Miguel Hidalgo, CDMX

Modelo: _____

Fecha de Compra: _____

Sello del Distribuidor: _____

MILWAUKEE TOOL
13135 West Lisbon Road
Brookfield, WI 53005 USA

58142522d1
05/18

961012629-01(B)
Printed in China