

# 137-160

## Alto®

Elongated Front, SmartHeight™, Vitreous China, Two-Piece Toilet





### Features

- 3 bolt tank-to-bowl connection
- 1.6 gpf / 6.0 lpf low water consumption
- Elongated front bowl
- SmartHeight™ (16-1/2" high bowl)
- 2" flush tower
- Anti-siphon ballcock
- 12" rough-in
- Model 40 chrome plated, plastic trip lever
- 2" glazed trapway
- The Mansfield® limited lifetime warranty
- Available in White and Standard Colors: Biscuit, Bone



Model 137-160  
Toilet seat not included

### Components

Model #	Description	Codes/Standards
137-160	SmartHeight™, elongated front two-piece toilet. Less toilet seat and supply. Specify color.	 
137	SmartHeight™, elongated front toilet bowl only. Less toilet seat. Specify color.	
160	Tank and cover only, with left hand, front-mount, chrome plated, plastic trip lever. Less supply. Specify color.	
125	Same as model 160, with 14" rough-in.	
160RH	Same as model 160, with right hand trip lever.	
161	Same as model 160, with Fluidmaster™ 400A ballcock.	
165	Same as model 160, with cover lock.	
170	Same as model 160, with tank liner.	
171	Same as model 160, with Fluidmaster™ 400A ballcock and tank liner.	
172	Same as model 160, with pilot valve and 2" flapper and chrome lever	
172RH	Same as above with right hand trip lever.	
173	Same as model 160, with pilot valve and 2" flapper and color match lever.	
173RH	Same as above with right hand trip lever.	
174	Same as model 173 with tank liner.	
175	Same as model 160, with cover lock and tank liner.	
180	Same as model 160, with color-match trip lever.	
181	Same as model 160, with Fluidmaster™ 400A ballcock and color-match trip lever.	
190	Same as model 160, with color-match trip lever and tank liner.	
SB700	Elongated, SmartClose™ toilet seat. Specify color.	



**MADE IN USA**

# 137-160

## Alto®

### Elongated Front, SmartHeight™, Vitreous China, Two-Piece Toilet

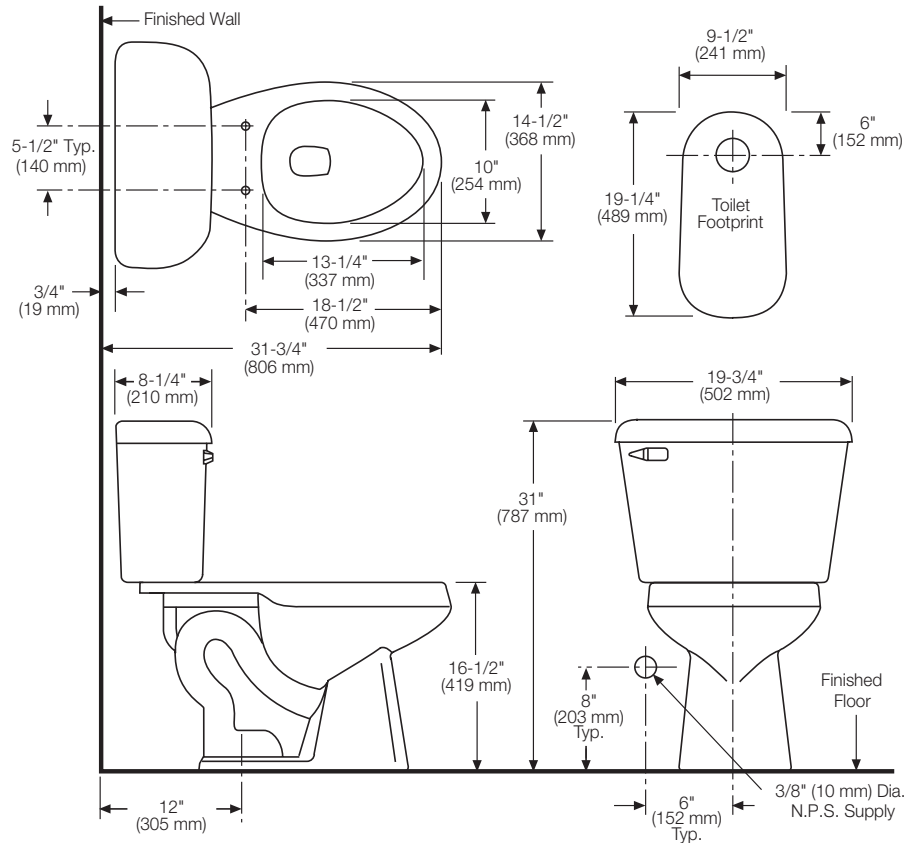


## Specifications

Model #	Description	Codes/Standards
137-160	Elongated front (1.6 gpf/6.0 lpf) two-piece toilet	 

Specification	Description	Specification	Description
Material	Vitreous China	Trap Diameter	2"
Water Pressure Range	20 to 80 PSI	Trap Seal	2-5/8"
Flush System	SmartFlush™ Flushing Technology	Rough-in	12" (14" option)
Water Usage	1.6 gpf / 6.0 lpf	Shipping Weight	Model 137 - 56 lbs. (25.4 kg)
Water Surface Area	9" X 10"		Model 160 - 34 lbs. (15.4 kg)
MaP Rating	800 grams	Warranty	Vitreous China - Limited Lifetime Tank Trim - Limited One Year

## Technical Information



See our complete line of acrylic and vitreous china bathroom fixtures, plastic tank trim and plumbing products.

These dimensions are nominal and subject to change without notice.

Fixture performance and specifications meet or exceed ASME A112.19.2-2008/CSA B45.1-08 standards, and other state and local codes.



**MADE IN USA**