

130-125

Alto®

Round Front, Vitreous China, Two-Piece Toilet



Features

- 3 bolt tank-to-bowl connection
- 1.6 gpf / 6.0 lpf low water consumption
- Round front bowl
- 2" flush tower
- Anti-siphon ballcock
- 14" rough-in
- Model 40 chrome plated, plastic trip lever
- 2" glazed trapway
- The Mansfield® limited lifetime warranty
- Available in White and Standard Colors: Biscuit, Bone




Round Front



Model 130-125
Toilet seat not included

Components

Model #	Description	Codes/Standards
130-125	Round front two-piece toilet. Less toilet seat and supply. Specify color.	
130	Round front toilet bowl only. Less toilet seat. Specify color.	
125	Tank and cover only, with left hand, front-mount, chrome-plated, plastic trip lever. Less supply. Specify color.	



MADE IN USA


130-125

Alto®

Round Front, Vitreous China, Two-Piece Toilet

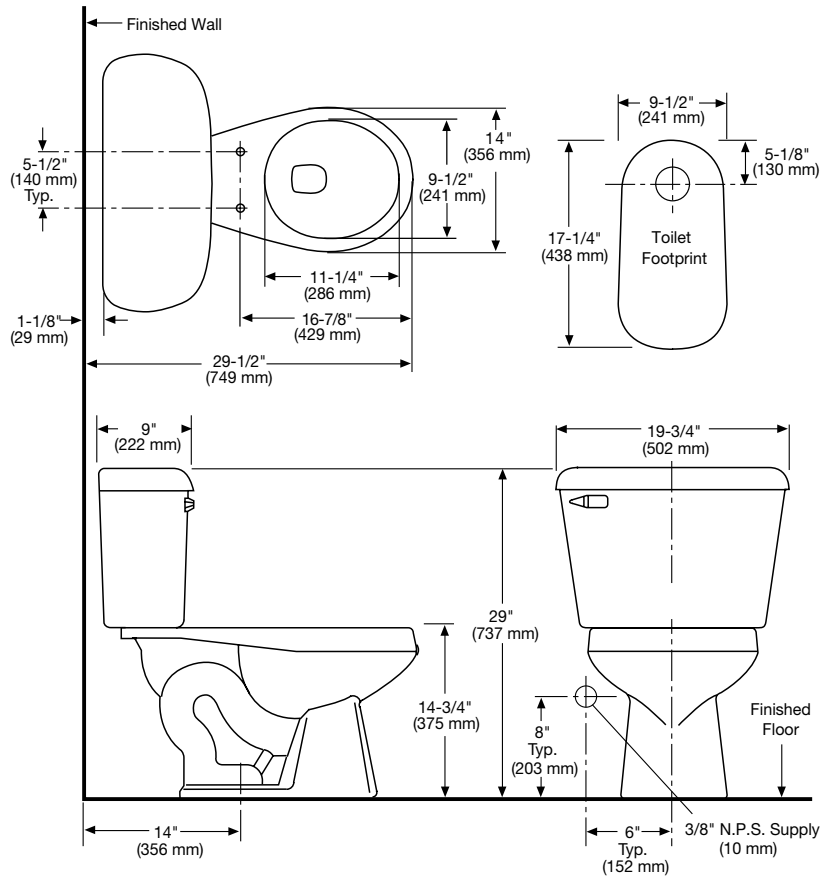


Specifications

Model #	Description	Codes/Standards
130-125	Round front (1.6 gpf/6.0 lpf) two-piece toilet	

Specification	Description	Specification	Description
Material	Vitreous China	Trap Diameter	2"
Water Pressure Range	20 to 80 PSI	Trap Seal	2-5/8"
Flush System	2" flush tower	Shipping Weight	Model 130 - 46 lbs. (21 kg)
Water Usage	1.6 gpf / 6.0 lpf		Model 125 - 36 lbs. (16.3 kg)
Water Surface Area	8" X 9"	Warranty	Vitreous China - Limited Lifetime
Rough-in	14"		Tank Trim - Limited One Year

Technical Information



See our complete line of acrylic and vitreous china bathroom fixtures, plastic tank trim and plumbing products.

These dimensions are nominal and subject to change without notice.

Fixture performance and specifications meet or exceed ASME A112.19.2-2008/CSA B45.1-08 standards, and other state and local codes.



MADE IN USA