



Coburn's Exclusive



Helena

66" x 31" x 22½"

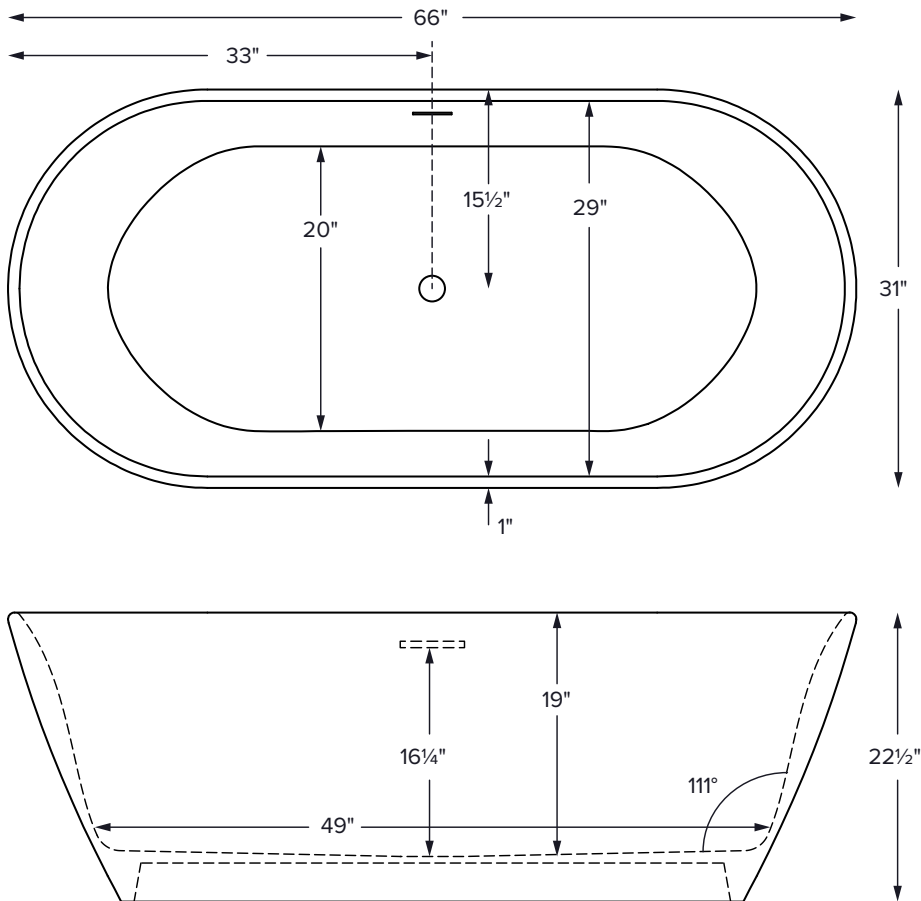
GENERAL SPECIFICATIONS:

Material Mineral Composite

Soaker Weight 275 lbs / 125 kg

Maximum Fill 87 gal to overflow

NOTE: Filling this tub to the maximum may require an above average size or dedicated water heater.



IMPORTANT INFORMATION

ELECTRICAL SPECIFICATIONS

Required Electrical Service - 110 Volt



Air Bath - Heated Blower - 1-15 amp GFCI

CSA Certified C/US; ANSI Z124.1

CSA Certified C/US; ANSI 112.19.7

- Includes an integrated slotted overflow, which only requires drain installation.
- Before ordering or installing, please consider future access to equipment.
- Air baths require job site preparations for remote mounting the blower and required check valve. Check valve must be installed higher than the rim of the tub. The keypad is shipped loose and may be mounted on a nearby wall or decking. A waterproof remote control is also included. Please read installation manual prior to ordering.
- Specifications and configurations are subject to change without notice.
- Measurements are ±1/2" and are subject to change without notice.
- Measurements herein supersede all others published prior to publication date shown below.



| Hydrotherapy Packages | Package Contents | Part # | MSRP |
|---|---|-----------|---------|
|  Soaker | Soaking bath - no jets; includes an integrated slotted overflow, in white with a toe-tap drain kit. | COBS550 | \$4,995 |
|  Air Massage | 20 air jets, heated air blower, keypad, waterproof remote control, integrated slotted overflow, in white with a toe-tap drain kit. Blower and control boxes must be remote located. | COBAST550 | \$8,295 |

Lead Time - 20 business days

| Color and Finish Options |
|---|
| NOTE: pricing is MSRP and part codes for all options listed in parenthesis. |
| Standard Colors: White, gloss finish only. |
| Optional Hardware |
| Quick Drain Kit - (WOQ) \$250 |
| Integrated Overflow and Toe-Tap Drain Kit Finishes PVC drain - White (included with tub) Chrome upgrade (MCIOC) no charge Brushed Nickel upgrade (MCIOBN) no charge Polished Nickel upgrade (MCIOPN) no charge |
| Floor-Mounted High-Flow Tub Filler - Two designs available. Contemporary - Chrome (FILLC) \$2,055 Brushed Nickel (FILLBN) \$2,220 Traditional - Chrome (FILLTC) \$2,055 Brushed Nickel (FILLTBN) \$2,220 |
| Faucet Stands - Available in two styles & multiple sizes. Standard Faucet Stand , Matte Finish Small / 21.75" x 14.25" / 3-hole capacity - (STAND) \$945 Large / 21.75" x 22" / 5-hole capacity - (STANDL) \$1,060 Gloss Finish Upcharge (SSGLOSSSNK) \$215 Premium Faucet Stand 39" h x 15" w - Matte - (SSFSR3915MT) \$1,770 Gloss - (SSFSR3915GL) \$2,085 39" h x 10" w - Matte - (SSFSR3910MT) \$1,770 Gloss - (SSFSR3910GL) \$2,085 23" h x 20" w - Matte - (SSFSR2320MT) \$1,505 Gloss - (SSFSR2320GL) \$1,820 23" h x 15" w - Matte - (SSFSR2315MT) \$1,505 Gloss - (SSFSR2315GL) \$1,820 |

| Standard Options and Accessories |
|---|
| NOTE: pricing is MSRP and part codes for all options listed in parenthesis. |
| Quick Ship - Reduces lead time - please call for availability. (QSPRI2) \$755 |
| Bathroom Table - Constructed of SculptureStone® (TABLE) \$965 available in white only Gloss Finish Upcharge (SSGLOSSSNK) \$215 |
| SculptureStone® Tub Tray - Available in white only. Solid without stemware holder (SSTRAY1) \$440 Solid with Stemware Holder (SSTRAY2) \$440 |
| Teak Tub Tray - Slatted (TK-TRAY1) \$415 Solid (TK-TRAY2) \$415 |
| Teak Bath Mat - Measures 30" x 17.5" x1" (TK-MAT3018) \$430 Custom sizes also available, contact MTI for details. |

For complete options information and specifications, visit mtibaths.com.



Inside view of tub

