

FEATURES & SPECIFICATIONS

INTENDED USE — Inspired by classic fluorescent strip channels, this LED fixture offers a traditional appearance that incorporates the latest technology. Available in several color temperatures, lumen packages and lengths. Ideal for use in commercial, retail, office, warehouse and display applications. **Certain airborne contaminants can diminish integrity of acrylic and/or polycarbonate.** [Click here for Acrylic-Polycarbonate Compatibility table for suitable uses.](#)

Certain airborne contaminants may adversely affect the functioning of LEDs and other electronic components, depending on various factors such as concentrations of the contaminants, ventilation, and temperature at the end-user location. [Click here for a list of substances that may not be suitable for interaction with LEDs and other electronic components.](#)

CONSTRUCTION — Compact-design channel and cover are formed from code-gauge cold-rolled steel. Easy to install row aligner bracket included for continuous row mounting.

Finish: High-gloss, baked white enamel (standard).

OPTICS — LEDs provide 80+ color rendering index (CRI) at 3500K, 4000K and 5000K. Diffuse polycarbonate lens provides smooth, linear illumination which is designed to resemble the classic look of traditional fluorescent lamps.

Lumen output exceeds 1,000 lumens per foot. Luminaire should be installed in applications where ambient temperatures do not exceed maximum ambient operating temperature of 95°F (35°C).

ELECTRICAL — Luminaire Surge Protection Level: Designed to withstand up to 2.5kV/0.75kA per ANSI C82.77-5-2015. For applications requiring higher level of protection additional surge protection must be provided.

INSTALLATION — Fixture may be surface or suspension mounted with appropriate mounting options (see accessories). Aligner locks in place for easy continuous row mounting.

LISTINGS — CSA certified to US and Canadian safety standards and listed suitable for damp locations. Minimum starting temperature at -40°F (-40°C). Maximum ambient operating temperature of 95°F (35°C).

DesignLights Consortium® (DLC) qualified product. Not all versions of this product may be DLC qualified. Please check the DLC Qualified Products List at www.designlights.org/QPL to confirm which versions are qualified.

WARRANTY — 5-year limited warranty. Complete warranty terms located at: www.acuitybrands.com/support/customer-support/terms-and-conditions

Note: Actual performance may differ as a result of end-user environment and application. All values are design or typical values, measured under laboratory conditions at 25 °C. Specifications subject to change without notice.

Catalog Number
Notes
Type

LED Striplight

CDS



ORDERING INFORMATION

Lead times will vary depending on options selected. Consult with your sales representative.

Example: CDS L48 MVOLT DM 40K 80CRI WH

Series	Length	Voltage	Driver	Color temperature	Color rendering index	Finish
CDS LED striplight	L48 48"	MVOLT 120-277V	DM 0-10V dimming	35K 3500 K	80CRI 80 CRI	WH White
	L96 96"	347 347V		40K 4000 K		
				50K 5000 K		

Accessories: Order as separate catalog number.	
HC36	Chain hanger and jack chain, 36" (pair)
ZACVH	Aircraft cable 10' (one pair)
SQ	Swivel-stem hanger (specify length in 2" increments)
MNLK JBOXCVR M12	Junction box cover with hardware, white
rPP20D	nLight® air dimming/switching module

A+ Capable Luminaire

This item is an A+ capable luminaire, which has been designed and tested to provide consistent color appearance and out-of-the-box control compatibility with simple commissioning.

- All configurations of this luminaire meet the Acuity Brands' specification for chromatic consistency
- This luminaire is part of an A+ Certified solution for nLight® or XPoint™ Wireless control networks marked by a shaded background*

To learn more about A+, visit www.acuitybrands.com/aplus.

*See ordering tree for details

OPERATIONAL DATA

CDS L48 MVOLT (80CRI)			
	Lumens	Wattage	LPW
35K	4606	35	131
40K	4679		133
50K	4851		138

CDS L96 MVOLT (80CRI)			
	Lumens	Wattage	LPW
35K	9466	73	129
40K	9614		132
50K	9968		136

PROJECTED LUMEN MAINTENANCE									
Operating Hours	0	10,000	20,000	30,000	40,000	50,000	60,000	70,000	100,000
Luman Maintenece Factor	1	0.98	0.93	0.89	0.85	0.81	0.77	0.74	0.64

DIMENSIONS

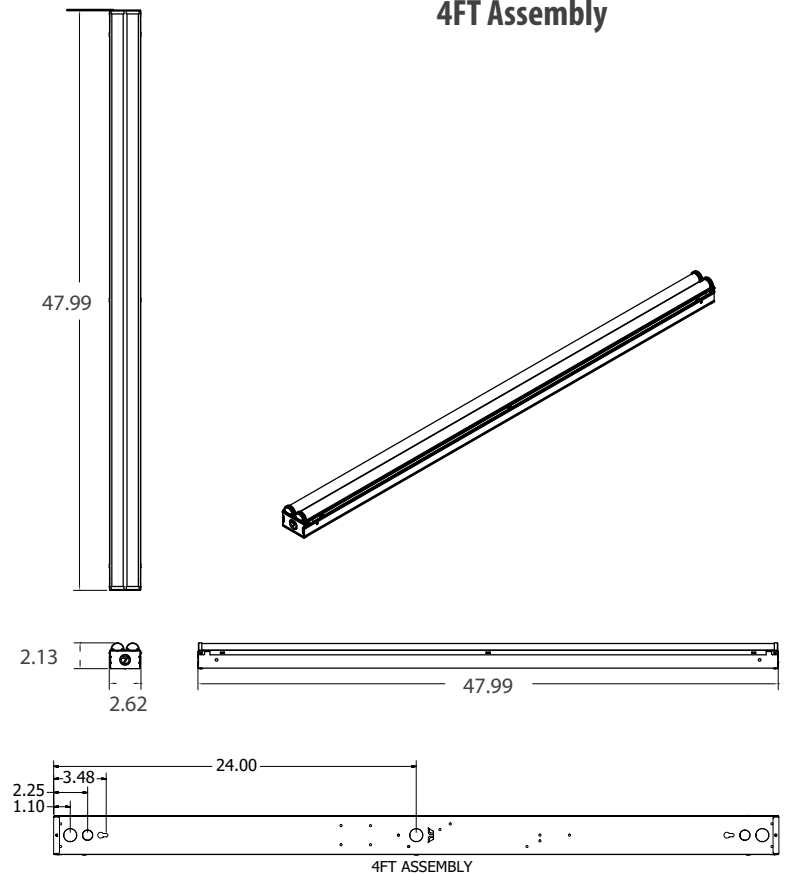
All dimensions are shown in inches (centimeters) unless otherwise noted.

WEIGHT: (may vary with options or accessories)

L48: 5 lbs (2.267 kgs)

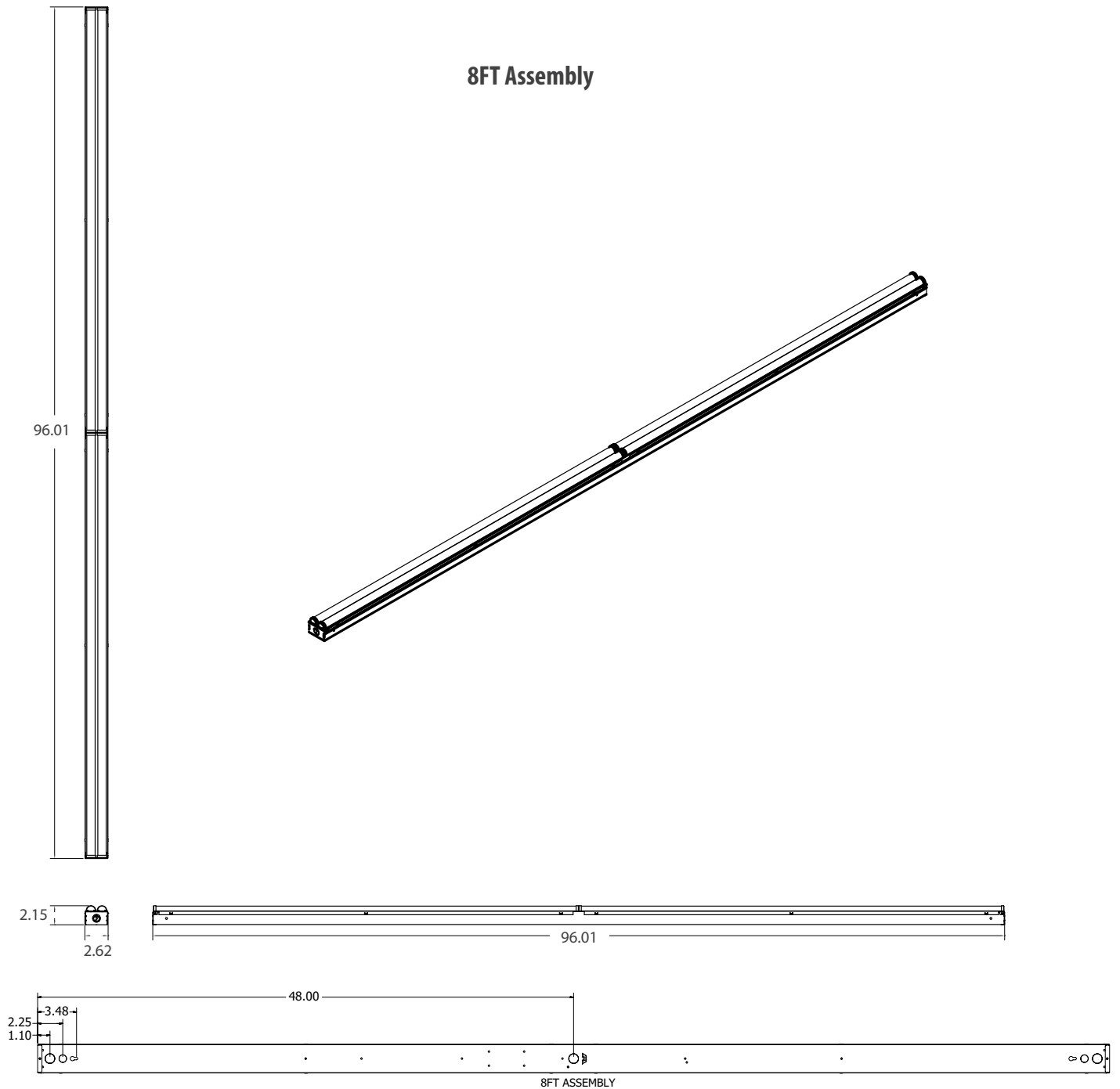
L96: 10 lbs (4.535 kgs)

4FT Assembly



DIMENSIONS

All dimensions are shown in inches (centimeters) unless otherwise noted.



PHOTOMETRICS

Please see www.lithonia.com.