

## FEATURES & SPECIFICATIONS

**INTENDED USE** — Ideal where high brightness and good illumination levels are required such as retail, light industrial and warehouses. **Certain airborne contaminants can diminish the integrity of acrylic and/or polycarbonate.** [Click here for Acrylic-Polycarbonate Compatibility table for suitable uses.](#)

Attributes: Available in one lamp or two lamp configuration.

**CONSTRUCTION** — Heavy-duty channel, die-formed from code-gauge steel.

Sturdy channel cover secured by captive quarter-turn latch for easy access to wireway.

Combination endplate/channel connector furnished with each fixture.

Finish: Five-stage iron phosphate pretreatment ensures superior paint adhesion and rust resistance. Painted parts finished with high-gloss, baked white enamel.

**ELECTRICAL** — Thermally protected, resetting, Class P, UL Listed and CSA Certified ballast is standard. Sound rating depends on lamp/ballast combination.

AWM, TFN, THHN wire throughout, rated for required temperatures.

**INSTALLATION** — For unit or row installations, surface or suspended mounting.

**LISTINGS** — UL listed to US and Canadian safety standards for use with fluorescent lamps. Optional: Mexico NOM.

Damp location listed.

Listed for 25 degree C ambient temperature.

**WARRANTY** — 1-year limited warranty. Complete warranty terms located at: [www.acuitybrands.com/support/customer-support/terms-and-conditions](http://www.acuitybrands.com/support/customer-support/terms-and-conditions)

**Note:** Actual performance may differ as a result of end-user environment and application.

Specifications subject to change without notice.

Catalog Number
Notes
Type

### General-Purpose Strip



2', 3', 4', 6' and 8' length  
1 or 2 lamps

#### Specifications

Length:	24" (61.0)
	36" (91.4)
	48" (121.9)
	72" (182.9)
	96" (243.8)
Width:	4-3/8" (11.1)
Fixture	
Depth:	2-1/16" (5.2)

All dimensions are inches (centimeters) unless otherwise specified.

### ORDERING INFORMATION

Lead times will vary depending on options selected. Consult with your sales representative.

**Example:** C 2 32 MVOLT GEB10IS

Series	Number of lamps	Lamp type	Voltage	Options
C	1	T8	MVOLT <sup>1</sup>	GEB10IS Electronic ballasts, ≤10%THD, instant start
General-purpose strip For tandem double length unit, add prefix T. Example: TC	2 lamp not included	17 17W T8 (24")	120	GEB10RS Electronic ballast, ≤10%THD, rapid start <sup>2</sup>
		25 25W T8 (36")	277	GEB10PS Electronic ballast, ≤10%THD, programmed start
		32 32W T8 (48")	347	1/4 One four-lamp ballast <sup>3</sup>
		96T8 59W T8 slimline (96")	Others available	PLR_ Plug-in wiring; specify 1, 2, or 3 branch circuits and hot wires (A = Black, B = Red, C = Blue, AB or AC) <sup>4</sup>
				CSA CSA Certified (only required for 347V)
			NOM NOM Certified	

#### Accessories: Order as separate catalog number.

SQ_	Swivel stem hanger (specify length in 2" increments)
1B	Ceiling spacer (adjusts from 1-1/2" to 2-1/2" from ceiling)
CONLGC	12" screw-on channel connector
WGCUN NST	Wireguard, 4' white <sup>5</sup>
HC36	Chain hangers (1 pair, 36" long)
HRC <sup>®</sup>	Hooker T-bar hanger (flush to ceiling)
HRC1 <sup>®</sup>	Hooker T-bar hanger (1-1/2" from ceiling)
WGCSMR	Wireguard, 4' white for symmetric reflector <sup>5</sup>
WGCASR	Wireguard, 4' white for asymmetric reflector <sup>5</sup>
CSMR48	Symmetric reflector, 4' white, 7" aperture <sup>5</sup>
CASR48	Asymmetric reflector, 4' white, 5-3/4" wide <sup>5</sup>

#### Notes

- MVOLT standard for 120-277V applications, 50-60 mhz operation. Some options require voltage specified.
- 347V, slimline lamps only.
- Not available in slimline.
- Specify voltage.
- Order two for 8' fixtures.

# C General-Purpose Strip

Catalog Number	UPC	Description	# of Lamps	Length	Wattage	Voltage	Ballast Type	Lamp Included	Pallet Qty.	Standard Carton Qty.
C232 MV	745975079711	T8 general-purpose strip	2	48"	32W	120-277V	Electronic, instant start	N	99	1
TC232 MV	745975080809	T8 general-purpose strip	4	96"	32W	120-277V	Electronic, instant start	N	99	1
C225 MV	745975081219	T8 general-purpose strip	2	36"	25W	120-277V	Electronic, instant start	N	99	1
C217 MV	745975081493	T8 general-purpose strip	2	24"	17W	120-277V	Electronic, instant start	N	198	1
C296	745973789766	T12 general-purpose strip	2	96"	75W	120V	Electronic, rapid start	N	99	1
C296T8 MV	745977076145	T8 general-purpose strip	2	96"	75W	120-277V	Electronic, instant start	N	99	1

## MOUNTING DATA

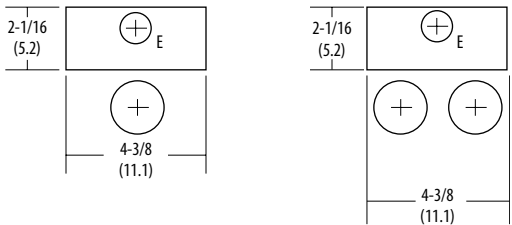
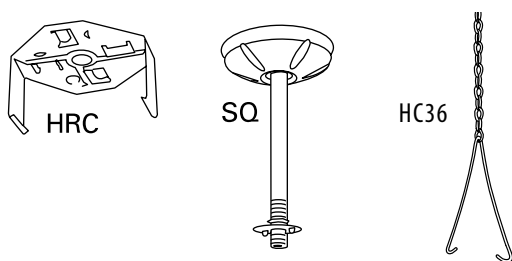
For unit or row installation, surface or suspended mounting.

Unit installation — Minimum of two hangers required.

Row installation — Two hangers per channel required one per fixture plus one per row of CONLGC installed.

Hooker® (HRC) and (HC) Hangers - minimum two per channel (unit and row).

See ACCESSORIES below for hanging devices.



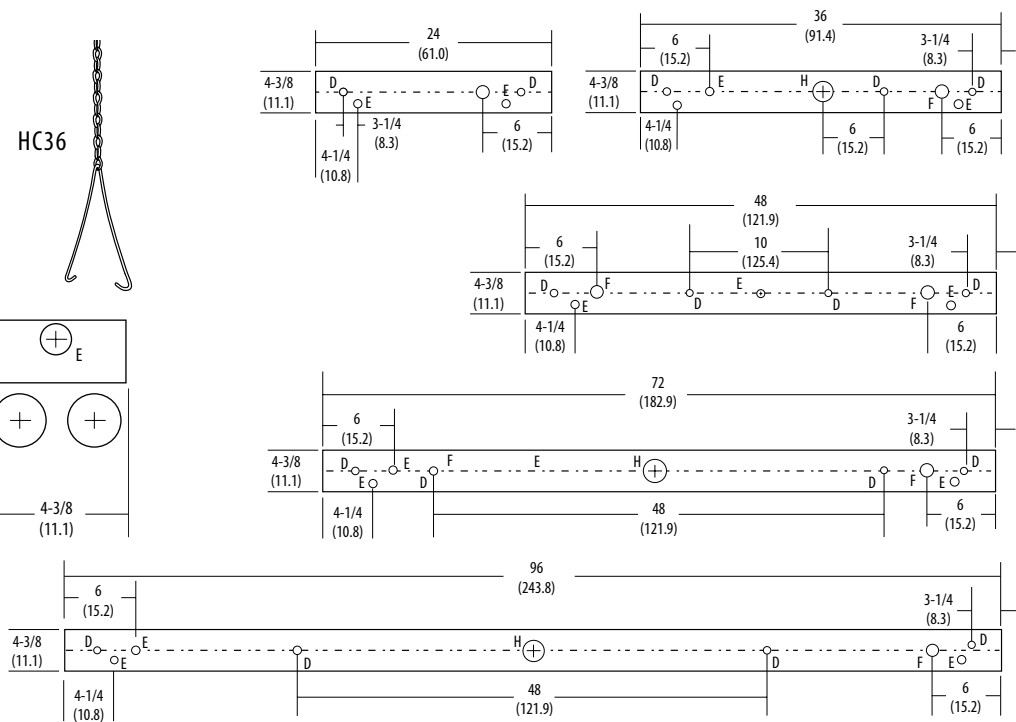
D = 11/16 (1.7) Dia.K.O.  
 E = 7/8 (2.2) Dia.K.O.  
 F = 1-1/4 (3.2) Dia.K.O.  
 H = 2 (5.1) Dia.K.O.

## DIMENSIONS

All dimensions in inches (centimeters) unless otherwise specified. Subject to change without notice.

48", 72", and 96" have only two 7/8" K.O.'s 6" from each end.

24" and 36" have only two 7/8" K.O.'s 3-1/4" from each end.



## PHOTOMETRICS

See [www.lithonia.com](http://www.lithonia.com) for photometry reports.