

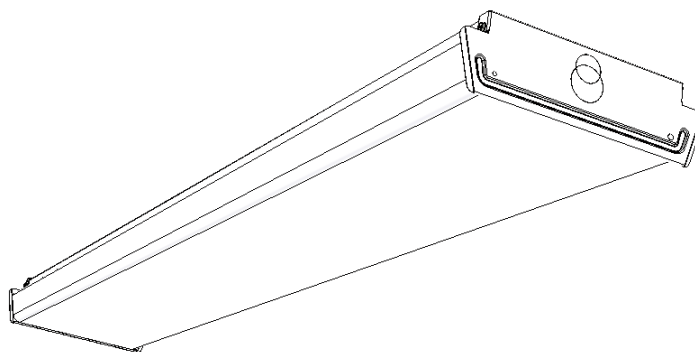
# JETSTAR JS Series 8-1/4" Wide

Page 1 of 2

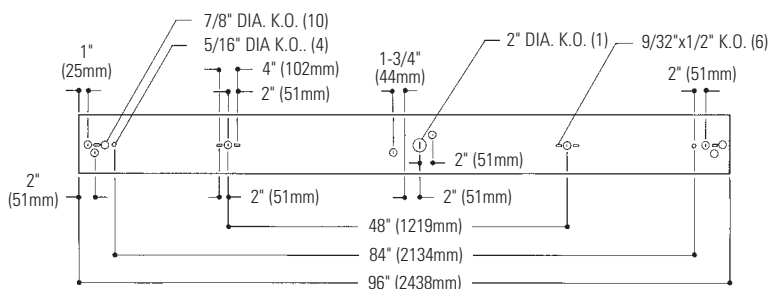
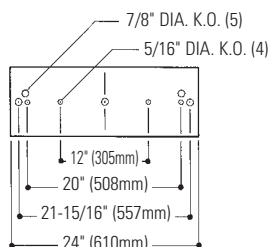
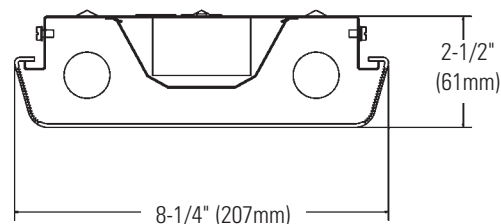
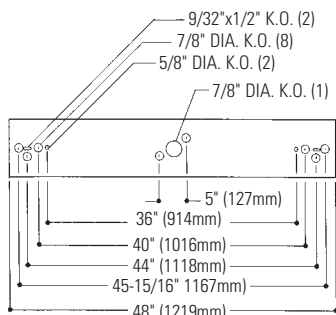
Surface Wraparound, 8-1/4" Width, 24", 48", 96" Nominal Length, 2 Lamp T8

## Features

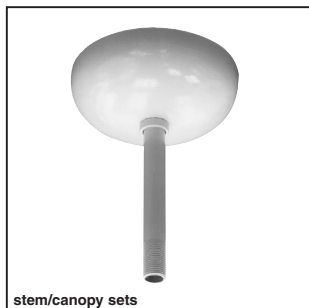
- Ideal for low ceiling height applications where recessed units cannot be used.
- 2-1/2" total depth.
- Step-back housing for an apparent depth of 1-3/4".
- Efficiency 81.5% (2 Lamp 17 Watt).
- Efficiency 85.4% (2 Lamp 32 Watt).
- A shallow profile and linear prismatic sides combine to reduce ceiling contrast.
- Virgin acrylic lens with one-piece extruded prismatic pattern 12 bottom and linear prism side walls.
- Shielding hinges from either side (self-leveling).
- Full-length ballast cover snaps-in, snaps-out (no tools).
- Individual or continuous row installations.
- Suitable for mounting on low-density cellulose fiberboard surfaces.
- Suitable for damp locations.



## Dimensions



## Features



### Job Information Type:

Job Name:

Cat. No.:

Lamp(s):

Volts/Ballast:

For Factory Technical Information: (978) 657-7600 • Fax (978) 658-0595  
 631 Airport Road, Fall River, MA 02720 • (508) 679-8131 • Fax (508) 674-4710  
 We reserve the right to change details of design, materials and finish.  
 www.lightolier.com © Philips Group

05/10

Section 3A/Folio H96-1 Rev. A

**PHILIPS**  
**LIGHTOLIER®**

# JETSTAR JS Series 8-1/4" Wide

## Model No. JS4A217UNVHI

LER = FP - 64.8 IW - 30 BF - 0.90  
Comparative yearly lighting energy cost per 1000 lumens = \$3.70

Report Number: 28878  
Catalog Number: JS4A217UNVHI  
Lamps: (2) F17T8

Luminaire: Jet Star surface luminaire with clear wraparound prismatic lens.  
Ballast: ICN-2P32-N  
Report is based on 1325 Lumens per lamp.  
Efficiency: 81.5%

### ZONAL LUMEN SUMMARY

ZONE	LUMENS	% LAMP	% FIXT
0- 30	537	20.2	24.9
0- 40	882	33.3	40.8
0- 60	1515	57.2	70.2
0- 90	1880	70.6	87.1
90-120	206	7.8	9.5
90-130	243	9.2	11.2
90-150	272	10.3	12.6
90-180	279	10.5	12.9
0-180	2159	81.5	100.0

### COEFFICIENTS OF UTILIZATION – ZONAL CAVITY METHOD. EFFECTIVE FLOOR CAVITY REFLECTANCE 0.20

RC	80	50	30	10	50	30	10
RW 70	86	82	78	74	71	69	67
1	86	82	78	74	71	69	67
2	78	72	66	65	61	57	54
3	72	63	57	57	52	48	46
4	66	56	49	51	46	41	40
5	61	50	43	46	40	36	35
6	56	45	38	42	36	32	31
7	52	41	34	38	32	28	26
8	48	38	31	35	29	25	24
9	45	34	28	32	26	23	22
10	42	32	25	29	24	20	20

### CANDELA DISTRIBUTION

	0.0	45.0	90.0	FLUX
0	680	680	680	
5	678	680	682	65
15	658	661	663	187
25	616	621	621	285
35	553	553	557	345
45	452	461	465	352
55	296	321	327	281
65	135	174	187	170
75	60	110	131	110
85	20	85	124	84
95	0	83	120	75
105	1	88	107	73
115	6	68	84	57
125	11	46	59	37
135	13	28	35	20
145	11	16	18	9
155	10	8	12	4
165	9	7	7	2
175	10	9	10	1
180	9	9	9	

### LUMINANCE DATA IN CANDELA/SQ. METER

AVERAGE IN DEG.	AVERAGE 0-DEG.	AVERAGE 45-DEG.	AVERAGE 90-DEG.
45	4710.	4352.	4356.
55	3709.	3514.	3543.
65	2205.	2352.	2492.
75	1472.	2023.	2361.
85	1048.	2567.	3618.

## Model No. JS4A232UNVHI

LER = FP - 78.2 IW - 56 BF - 0.89  
Comparative yearly lighting energy cost per 1000 lumens = \$3.08

Report Number: 28874-1  
Catalog Number: JS4A232UNVHI  
Lamps: (2) F32T8  
Luminaire: Jet Star surface luminaire with clear wraparound prismatic lens.  
Ballast: ICN-2P32-N  
Report is based on 2850 Lumens per lamp.  
Efficiency: 85.4%

### ZONAL LUMEN SUMMARY

ZONE	LUMENS	% LAMP	% FIXT
0- 30	1232	21.6	25.3
0- 40	2029	35.6	41.6
0- 60	3496	61.3	71.8
0- 90	4323	75.8	88.8
90-120	403	7.1	8.3
90-130	471	8.3	9.7
90-150	527	9.2	10.8
90-180	547	9.6	11.2
0-180	4871	85.4	100.0

### COEFFICIENTS OF UTILIZATION – ZONAL CAVITY METHOD. EFFECTIVE FLOOR CAVITY REFLECTANCE 0.20

RC	80	50	30	10	50	30	10
RW 70	90	86	83	78	75	73	71
1	90	86	83	78	75	73	71
2	83	76	70	69	64	61	58
3	75	67	60	61	56	51	53
4	69	59	52	54	49	44	51
5	64	53	46	49	43	38	41
6	59	48	40	44	38	34	32
7	55	43	36	40	34	30	29
8	51	40	33	37	31	27	30
9	47	36	29	34	28	24	27
10	44	33	27	31	26	22	25

### CANDELA DISTRIBUTION

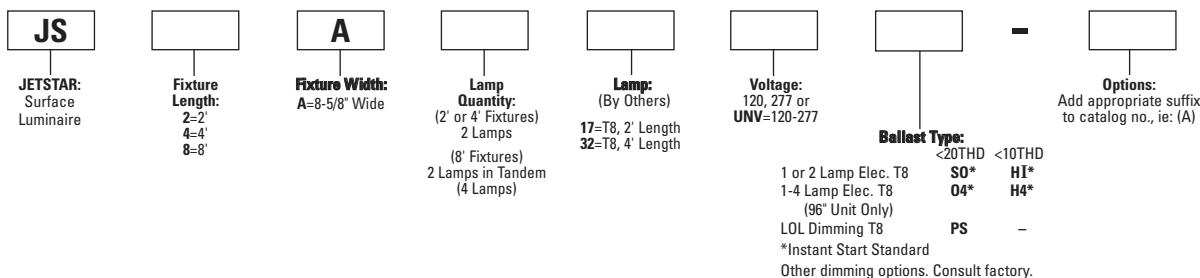
	0.0	45.0	90.0	FLUX
0	1572	1413	1413	
5	1570	1414	1434	135
15	1524	1403	1449	396
25	1427	1362	1447	626
35	1281	1288	1433	802
45	1066	1188	1359	899
55	723	1019	1220	886
65	329	811	1090	786
75	142	699	1018	688
85	48	496	693	480
95	0	454	679	423
105	6	259	547	291
115	16	87	202	101
125	23	47	70	37
135	27	28	41	18
145	28	13	27	8
155	28	6	10	1
165	30	0	0	0
175	30	0	0	0
180	29	0	0	

### LUMINANCE DATA IN CANDELA/SQ. METER

AVERAGE IN DEG.	AVERAGE 0-DEG.	AVERAGE 45-DEG.	AVERAGE 90-DEG.
45	4721.	4323.	4372.
55	3897.	3507.	3426.
65	2356.	2326.	2625.
75	1587.	1882.	2536.
85	1310.	2225.	4204.

## Ordering Information

Explanation of Catalog Number. Example: JS4A232UNVHI



## Options/Accessories

**Canopy Spacer:** Suspends fixture approximately 1-1/2" from surface. Order Catalog Number: **ASC CSP**.

**Stem and Canopy Sets:** Suspends fixture 6", 12", 18" or 24" from surface. **Catalog Number: ASC6 CSP (6"), ASC12 CSP (12"), ASC18 CSP (18"), ASC24 CSP (24").**

**Fusing:** Internal fast-blow fusing. SUFFIX: **A**.  
Internal slow-blow fusing. SUFFIX: **C**.

## Specifications

**Performance:** In an installation of 2 lamp 32W luminaires in a room cavity ratio of 1, with reflectance of 80% ceiling, 50% wall, 20% floor, the C.U. shall not be less than .86. To reduce glare the average brightness at 65° shall not exceed 2625 footlamberts. To control veiling reflections, luminaire output in the 30° - 90° zone shall be not less than 74.7%.

## Specifications (continued)

**Materials: Chassis parts** are die-formed code gauge cold rolled steel.

**Housing** is reinforced for rigidity. **Reflector**—one-piece virgin acrylic.

**Finish: Chassis exterior**—white baked polyester enamel. **Cavity**—white baked polyester enamel minimum reflectance 86%. Phosphate undercoating.

**Lens:** One-piece extruded prismatic pattern 12 bottom and linear prism side walls.

**Electrical:** Thermally protected class "P" ballast C.B.M. approved, non PCB. If K.O. is within 3" of ballast, use wire suitable for at least 90°.

**Labels:** I.B.E.W./UL and ULc Listed.

This product may have a mercury containing lamp. Manage in accord with Disposal Laws. See: www.lamprecycle.org

## Job Information Type: