

Job Name/Location:

Tag #:

Date:

For: File Resubmit

PO No.:

Approval Other

Architect:

GC:

Engr:

Mech:

Rep:

(Company)

(Project Manager)

LCN127HV4

Multi F Ceiling Cassette
12,000 Btu/h Indoor Unit



Performance:

Nominal Cooling Capacity (Btu/h)	12,000
Nominal Heating Capacity (Btu/h)	13,800

Cooling Nominal Test Conditions:

Indoor: 80°F DB/67°F WB

Outdoor: 95°F DB/75°F WB

Heating Nominal Test Conditions:

Indoor: 70°F DB/60°F WB

Outdoor: 47°F DB/43°F WB

Electrical:

Power Supply (V ¹ /Hz/Ø)	208-230/60/1
Rated Amps (A)	0.25

Pipe Connections:

Liquid Line (in, OD)	1/4
Vapor Line (in, OD)	3/8
Drain OD, ID (in)	1-1/4, 1

Features:

- 2 Thermistor control
- 24-Hour on/off timer
- Auto operation
- Auto restart
- Chaos swing
- Control lock function
- Drain Pump
- Group control
- Inverter (variable speed fan)
- Jet Cool
- Compatible with Single Zone ODU: LUU127HV4

Included Accessories:

- Wireless Handheld Controller - PQWRHQ0FDB

Required Accessories:

- Grille Kit (PT-UQC or PT-QCHW0)

Optional Accessories:

- LG Programmable Thermostat - PREMTB10U
- Simple Controller with Mode (Black) - PQRVCVLOQ
- Simple Controller with Mode (White) - PQRVCVLOQW
- Simple Controller without Mode (Black) PQRCHCA0Q
- Simple Controller without Mode (White) - PQRCHCA0QW
- AC Smart IV - PACS4B000
- ACP IV - PACP4B000
- LonWorks Gateway - PLNWKB100
- BACnet Gateway - PQNFB17C1
- Ventilation Kit - PTVK430
- Dry Contact Unit (1 contact, 24 VAC external power) - PDRYCB100
- Dry Contact Unit (2 input, power from indoor unit) - PDRYCB400
- Dry Contact for Third Party Thermostat - PDRYCB300

For a complete list of available accessories, contact your LG representative.

Operating Range:

Cooling (°F WB)	57-77
Heating (°F DB)	59-81

Unit Data:

Refrigerant Type	R410A
Refrigerant Control	EEV
Sound Pressure H/M/L (±3 dB(A))	38/35/32
Primary Filter	Washable Pre-filter
Net Weight (lbs)	31
Shipping Weight (lbs)	40
Grille Weight (lbs)	7
Grille Shipping Weight (lbs)	9

Fan:

Type	Turbo
Quantity	1
Motor/Drive	Brushless Digitally Controlled/Direct
Airflow Rate H/M/L (CFM)	335/283/247

Notes:

1. Acceptable operating voltage: 187V-253V.
2. See Engineering Manual for sensible and latent capacities.
3. Sound Pressure levels are tested in an anechoic chamber under ISO Standard 1996.
4. All power/communication cable to be minimum 18 American wire gage (AWG), 4-conductor, stranded, shielded or unshielded wire and must comply with applicable local and national code. If shielded, the wire must be grounded to the chassis at the outdoor unit only.
5. Power wiring cable size must comply with the applicable local and national codes.
6. This unit comes with a dry helium charge.
7. Corresponding refrigerant piping length is in accordance with standard length of each outdoor unit and the level difference is 0 ft. All capacities are net with a combination ratio between 95 – 105%.
8. Must follow installation instructions in the applicable LG installation manual.



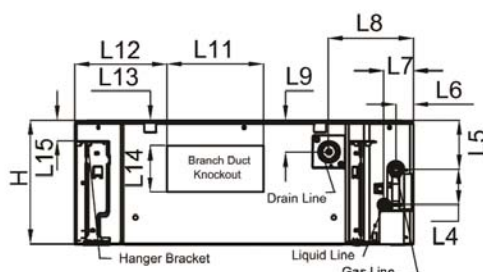
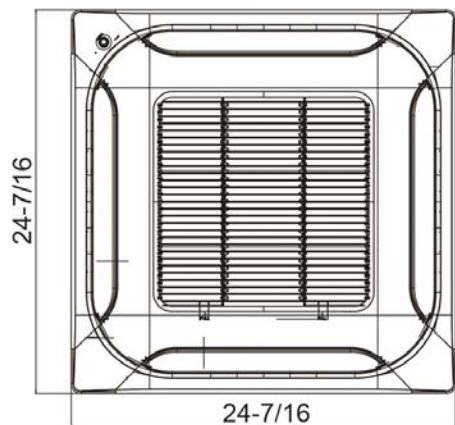
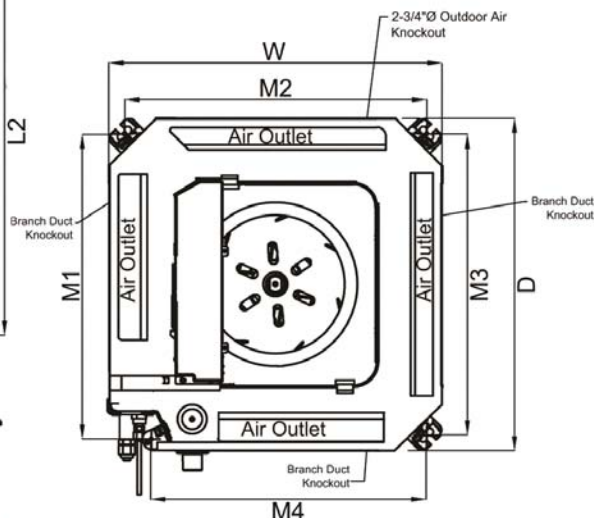
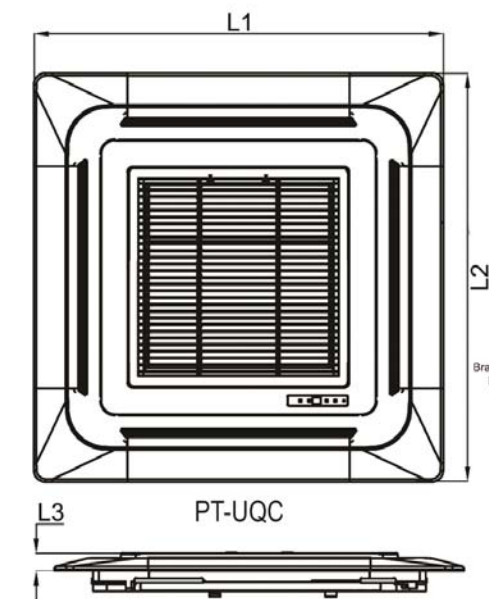
LCN127HV4
 Multi F Ceiling Cassette
 12,000 Btu/h Indoor Unit



Tag #:

Date:

PO No.:



W	22-7/16"
H	8-7/16"
D	22-7/16"
L1	27-9/16"
L2	27-9/16"
L3	7/8"
L4	2-13/32"
L5	3-7/8"
L6	1-3/16"
L7	1-15/16"
L8	5-5/8"
L9	1-1/32"
L10	1-11/32"
L11	6-1/2"
L12	5-13/16"
L13	3-3/16"
L14	3-1/8"
L15	1-11/32"
M1	20-19/32"
M2	20-3/8"
M3	20-3/8"
M4	18-5/32"