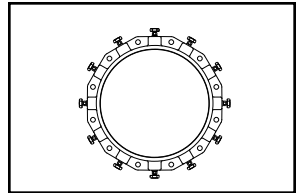
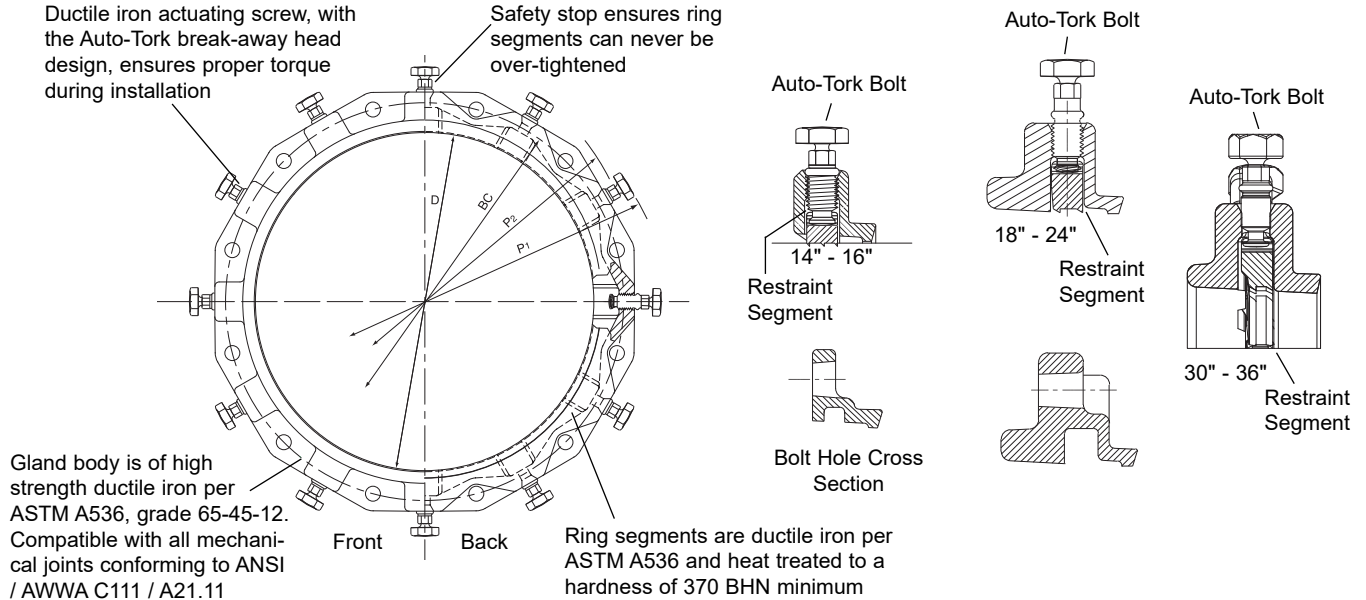


SUBMITTAL INFORMATION

Mechanical Joint Retainer (UFR1500-C-xx-U style)



14" - 36" SERIES UFR1500-C MECHANICAL JOINT RESTRAINT FOR C905 PVC PIPE OR HDPE



NOM. PIPE SIZE	O.D.	CATALOG NUMBER AWWA C905 PVC PIPE	NO. OF RESTRAINT SEGMENTS	APPROX. WEIGHT (LBS.)	P1*	P2**	BC	D	PRESSURE RATING C905					✓ SUBMITTED ITEM(S)
									DR-14	DR-18	DR-25	DR-32.5	DR-41	
14"	15.30	UFR1500-C-14-U	10	47	23.62	22.72	18.75	15.44	305 PSI	235 PSI	165 PSI	125 PSI	100 PSI	
16"	17.40	UFR1500-C-16-U	12	62	26.18	25.28	21.0	17.54	305 PSI	235 PSI	165 PSI	125 PSI	100 PSI	
18"	19.50	UFR1500-C-18-U	12	78	28.28	27.38	23.25	19.64	-	235 PSI	165 PSI	125 PSI	100 PSI	
20"	21.60	UFR1500-C-20-U	14	95	30.38	29.48	25.5	21.74	-	235 PSI	165 PSI	125 PSI	100 PSI	
24"	25.80	UFR1500-C-24-U	16	125	34.58	33.68	30.0	25.94	-	235 PSI	165 PSI	125 PSI	100 PSI	
30"	32.00	UFR1500-C-30-U	20	150	40.79	38.06	36.88	32.30	-	235 PSI	165 PSI	125 PSI	100 PSI	
36"	38.30	UFR1500-C-36-U	24	195	46.84	44.40	43.75	38.62	-	235 PSI	165 PSI	125 PSI	100 PSI	

*Maximum O.D. of gland on pipe before Auto-Tork heads are removed (as shipped)

**Maximum O.D. of gland on pipe after Auto-Tork heads are removed

Note: Ford recommends the use of a properly sized insert stiffener when using UFR1500 on HDPE

FEATURES

- Full circle contact and support of the pipe wall. The Series 1500 can be used on any thickness class of AWWA C905 PVC and HDPE pipe without any point loading
- "Auto-Tork" actuating screws with heads specially designed to twist off at the correct installation torque, leaving a hex head in case future system maintenance or removal is required
- Restraining segments are mechanically retained in pockets
- Series 1500 eliminates the need to pour expensive and time consuming concrete thrust blocks
- Gland, screws and segments are protected with black Armorguard e-coat
- Gland colored red for identification purposes

The Ford Meter Box Company considers the information in this submittal form to be correct at the time of publication. Item and option availability, including specifications, are subject to change without notice. Please verify that your product information is current.



The Ford Meter Box Company, Inc.

P.O. Box 443, Wabash, Indiana U.S.A. 46992-0443

Phone: 260-563-3171 / Fax: 800-826-3487

Overseas Fax: 260-563-0167

www.fordmeterbox.com



07/24/17

Submitted By: