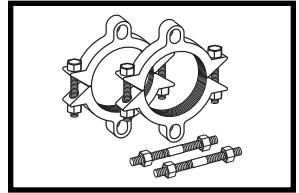


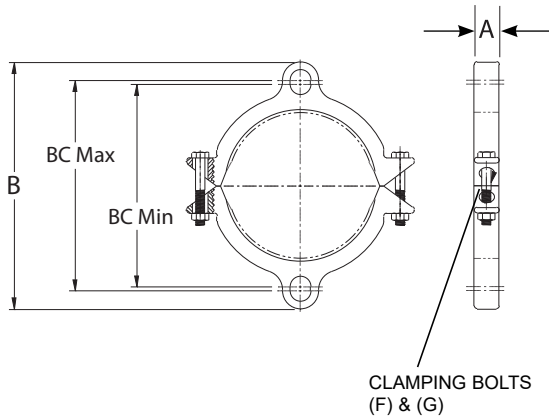
SUBMITTAL INFORMATION

Uni-Flange® Restraint - (UFR1390-S-x-U style)

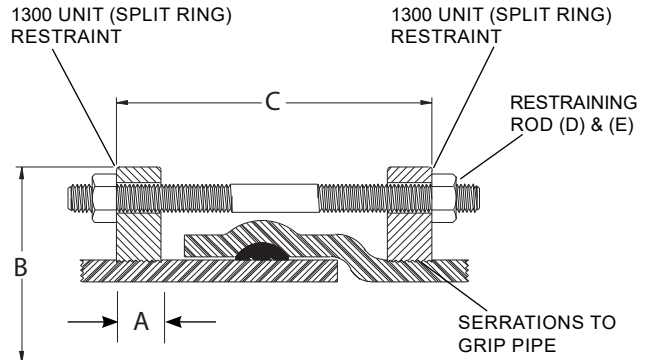


SERIES 1390-S RESTRAINT DEVICE FOR PVC PIPE BELL JOINTS CAST SIZES 4" - 12"

1300 SPLIT RESTRAINT



1390 ASSEMBLY



NOM PIPE SIZE	PVC PIPE WITH STEEL PIPE OD STYLE 1390-S		A	B APPROX	C MAX	RESTRAINTS BOLTS / RODS		CLAMPING BOLTS		BC MIN	BC MAX	✓ SUBMITTED ITEMS
	OD	CATALOG No.				No. D	SIZE E	No. F	SIZE G			
4"	4.50	UFR1390-S-4-U	1-1/8"	9-1/8"	15"	2	3/4" x 17"	4	5/8" x 3-1/2"	7.14"	7.50"	
6"	6.625	UFR1390-S-6-U	1-1/8"	11-1/8"	15"	2	3/4" x 17"	4	5/8" x 3-1/2"	9.14"	9.50"	
8"	8.625	UFR1390-S-8-U	1-1/4"	14-7/16"	15"	2	3/4" x 17"	4	3/4" x 4"	11.76"	12.80"	
10"	10.75	UFR1390-S-10-U	1-3/8"	16-5/8"	22"	4	3/4" x 24"	4	7/8" x 5"	13.50"	15.00"	
12"	12.75	UFR1390-S-12-U	1-3/8"	19-1/4"	22"	4	3/4" x 24"	4	7/8" x 5"	15.62"	17.62"	

FEATURES

- 4" - 12" sizes: cast ductile iron per ASTM A536 grade 65-45-12
- 360° contact and support of the pipe wall
- Ideal companion for push-on fittings
- Threaded rods are high strength, low alloy steel per ANSI / AWWA C111 / A21.11
- Rated at full-rated pressure of any class of PVC pipe, minimum 2:1 safety factor
- Black e-coat epoxy coating with painted gray top coat for identification

The Ford Meter Box Company considers the information in this submittal form to be correct at the time of publication. Item and option availability, including specifications, are subject to change without notice. Please verify that your product information is current.



The Ford Meter Box Company, Inc.

P.O. Box 443, Wabash, Indiana U.S.A. 46992-0443
Phone: 260-563-3171 / Fax: 800-826-3487
Overseas Fax: 260-563-0167
www.fordmeterbox.com



03/29/19

Submitted By: