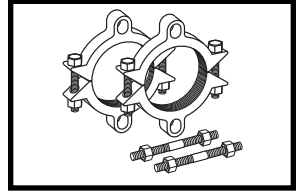


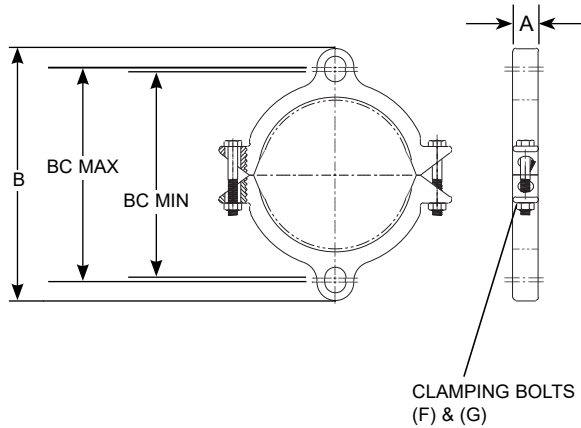
SUBMITTAL INFORMATION

Uni-Flange® Restraint - (UFR1390-C-x-X-U)

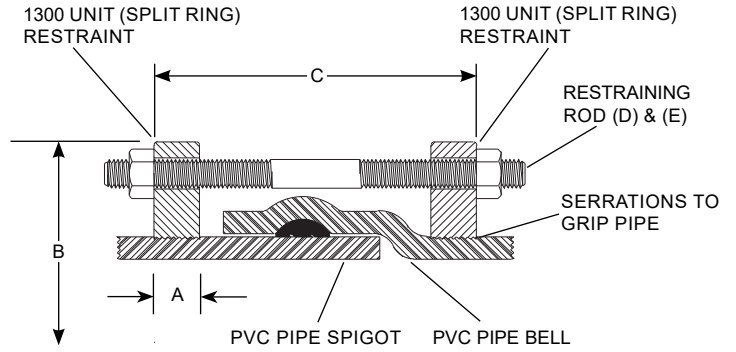


**SERIES 1390-C RESTRAINT DEVICE (WITH 304 STAINLESS STEEL HARDWARE)
FOR C900 PVC PIPE BELL JOINTS CAST SIZES 4" - 12"**

1300 SPLIT RESTRAINT



1390 ASSEMBLY



NOM PIPE SIZE	PVC PIPE WITH DI PIPE OD STYLE 1390-C		A	B APPROX	C MAX	RESTRAINING RODS		CLAMPING BOLTS		BC MIN	BC MAX	APPROX. WEIGHT (LBS.)	✓ SUBMITTED ITEMS
	OD	CATALOG No.				No. D	SIZE E	No. F	SIZE G				
4"	4.80	UFR1390-C-4-X-U	1-1/8"	9-1/8"	15"	2	3/4" x 17"	4	5/8" x 3-1/2"	7.12"	7.50"	15.5	
6"	6.90	UFR1390-C-6-X-U	1-1/8"	11-1/8"	15"	2	3/4" x 17"	4	5/8" x 3-1/2"	9.14"	9.50"	19.8	
8"	9.05	UFR1390-C-8-X-U	1-1/4"	14-5/8"	15"	2	3/4" x 17"	4	3/4" x 4"	11.36"	13.00"	29.1	
10"	11.10	UFR1390-C-10-X-U	1-3/8"	16-5/8"	22"	4	3/4" x 24"	4	7/8" x 5"	13.19"	15.00"	56.2	
12"	13.20	UFR1390-C-12-X-U	1-3/8"	19-1/4"	22"	4	3/4" x 24"	4	7/8" x 5"	16.13"	17.62"	58.4	

FEATURES

- 4" - 12" sizes: Cast ductile iron per ASTM A536 grade 65-45-12
- 360° contact and support of the pipe wall
- Restraining rods, clamping bolts and hardware are type 304 stainless steel per ASTM A193 and A194
- Rated at full-rated pressure of any class of PVC pipe, minimum 2:1 safety factor
- Black e-coat epoxy coating
- Also for use on ductile iron pipe with the following pressure ratings: 4" through 8" = 250 psi
10" and 12" = 200 psi

The Ford Meter Box Company considers the information in this submittal form to be correct at the time of publication. Item and option availability, including specifications, are subject to change without notice. Please verify that your product information is current.



The Ford Meter Box Company, Inc.
P.O. Box 443, Wabash, Indiana U.S.A. 46992-0443
Phone: 260-563-3171 / Fax: 800-826-3487
Overseas Fax: 260-563-0167
www.fordmeterbox.com

06/24/19

Submitted By: