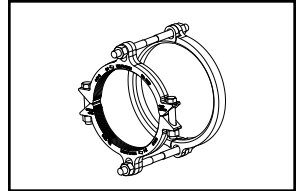


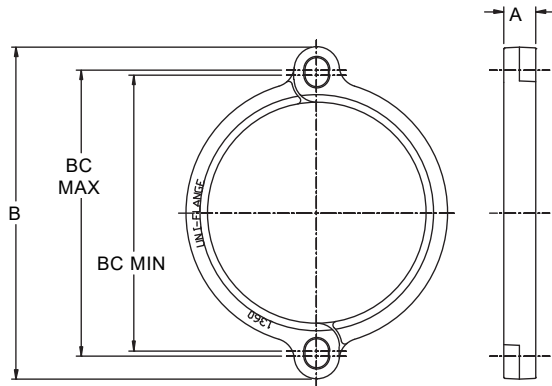
SUBMITTAL INFORMATION

Uni-Flange® Restraint - (UFR1360-S-x-I style)

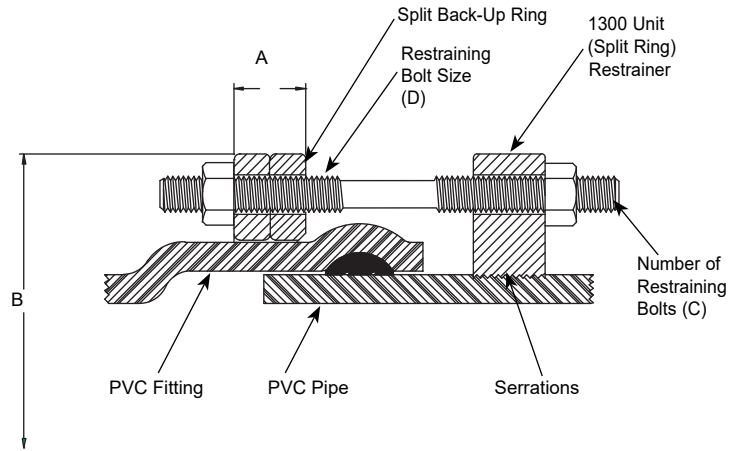


UNI-FLANGE 1360-S RESTRAINT DEVICE FOR STEEL SIZE PVC PIPE AND PRESSURE FITTINGS
PIPE SIZES 2" - 8"

1360 Back-Up Ring



1360 Assembly



NOM PIPE SIZE	PVC PIPE WITH STEEL PIPE OD STYLE 1360-S		A	B APPROX.	RESTRAINING RODS		BC MIN	BC MAX	APPROX. WT. LBS.	✓ SUBMITTED ITEM(S)
	OD (In.)	CATALOG No.			QTY. C	SIZE D				
2"	2.38	UFR1360-S-2-I	1-1/8"	6-3/8"	2	5/8" x 11"	4.75"	4.75"	9.3	
2-1/2"	2.88	UFR1360-S-25-I	1-1/8"	6-7/8"	2	5/8" x 11"	5.25"	5.25"	9.6	
3"	3.50	UFR1360-S-3-I	1-1/8"	7-5/8"	2	5/8" x 11"	6.00"	6.00"	10.5	
4"	4.50	UFR1360-S-4-I	1-1/8"	9-1/8"	2	3/4" x 12"	7.50"	7.50"	13.8	
6"	6.63	UFR1360-S-6-I	1-1/8"	11-9/16"	2	3/4" x 12"	9.52"	9.88"	17.3	
8"	8.63	UFR1360-S-8-I	1-1/8"	13-3/8"	2	3/4" x 12"	11.75"	11.75"	26.0	

FEATURES

- Split ring restraint and split back-up ring cast of 65-45-12 grade ductile iron per ASTM A536 - Armorguard e-coat applied epoxy, grey top coat for identification purposes
- Rods (included) - High strength, low alloy steel per ANSI/AWWA C111/A21.11
- Rated to a maximum working pressure of 235 psi, minimum 2:1 safety factor

The Ford Meter Box Company considers the information in this submittal form to be correct at the time of publication. Item and option availability, including specifications, are subject to change without notice. Please verify that your product information is current.



The Ford Meter Box Company, Inc.
P.O. Box 443, Wabash, Indiana U.S.A. 46992-0443
Phone: 260-563-3171 / Fax: 800-826-3487
Overseas Fax: 260-563-0167
www.fordmeterbox.com



05/23/19

Submitted By: