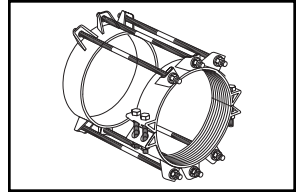


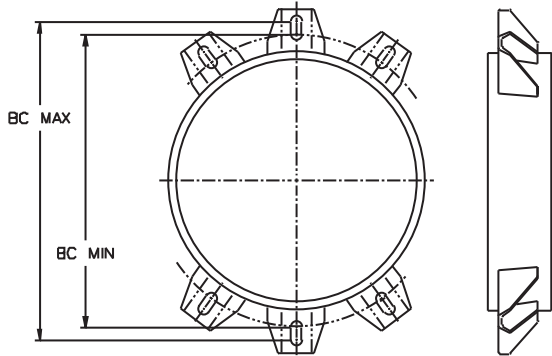
# SUBMITTAL INFORMATION

## Uni-Flange® Restraint - (UFR1350-S-xx-U style)

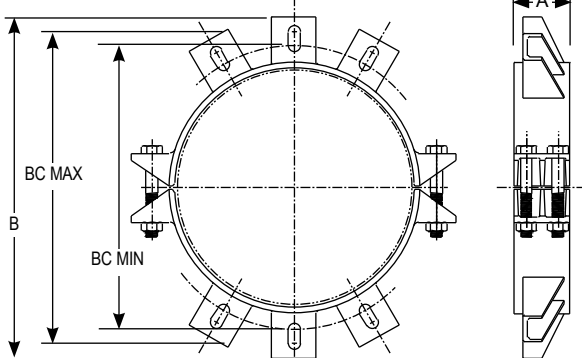


SERIES 1350-S 14" - 24" RESTRAINT DEVICE FOR STEEL SIZE PVC PIPE BELL AND SPIGOT JOINTS

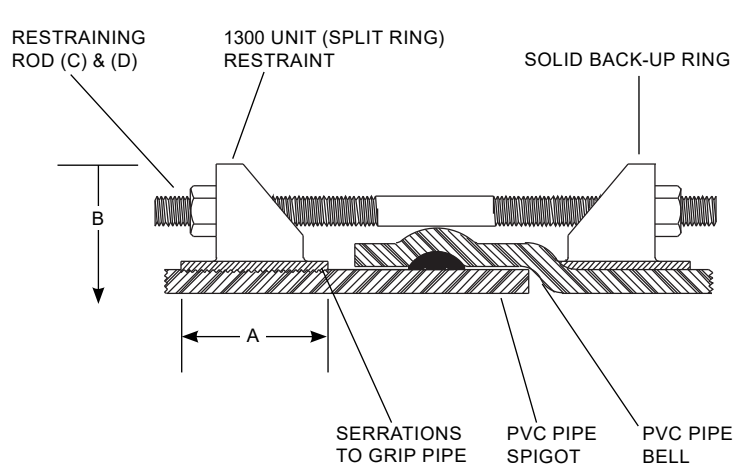
**1350 BACK-UP RING**



**1300 SPLIT RESTRAINT**



**1350 ASSEMBLY**



NOM PIPE SIZE	PVC PIPE WITH STEEL PIPE OD STYLE 1350-S		A	B APPROX.	RESTRAINING RODS		BC MIN	BC MAX	APPROX. WT. LBS.	✓ SUBMITTED ITEMS
	OD	CATALOG No.			QTY. C	SIZE D				
14"	14.00	UFR1350-S-14-U	4"	21-25/64"	6	3/4" x 24"	17.18"	19.18"	103	
16"	16.00	UFR1350-S-16-U	4"	23-25/64"	6	3/4" x 24"	19.18"	21.18"	117	
18"	18.00	UFR1350-S-18-U	5"	25-25/64"	8	3/4" x 24"	21.18"	23.18"	142	
20"	20.00	UFR1350-S-20-U	7"	27/25/64"	8	3/4" x 30"	23.25"	25.25"	199	
24"	24.00	UFR1350-S-24-U	7"	31-25/64"	12	3/4" x 36"	27.25"	29.25"	292	

Note: For DR18, longer rods may be required. Please contact factory for more information.

### FEATURES

- Back-up ring - 14"-24" sizes: Fabricated from carbon steel per ASTM A36
- Split ring restraint - 14"-24" sizes: Fabricated from ASTM A36 carbon steel
- Rods (included) - High strength, low alloy steel per ANSI/AWWA C111/A21.11
- Rated at full-rated pressure of any class of steel size PVC pipe, minimum 2:1 safety factor
- Coating: Black shop coat - NSF61 Approved with gray topcoat for identification purposes

The Ford Meter Box Company considers the information in this submittal form to be correct at the time of publication. Item and option availability, including specifications, are subject to change without notice. Please verify that your product information is current.



**The Ford Meter Box Company, Inc.**  
 P.O. Box 443, Wabash, Indiana U.S.A. 46992-0443  
 Phone: 260-563-3171 / Fax: 800-826-3487  
 Overseas Fax: 260-563-0167  
 www.fordmeterbox.com



05/16/18

Submitted By: