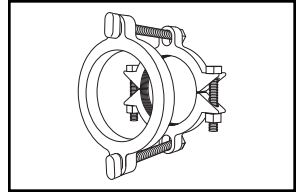


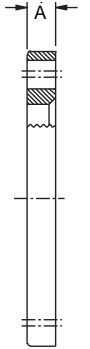
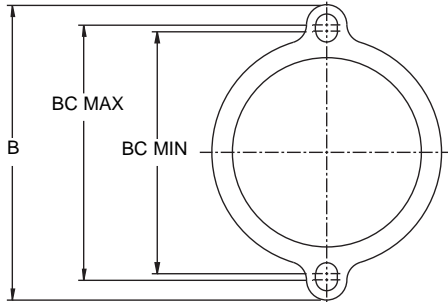
SUBMITTAL INFORMATION

Restrainer (UFR1350-S-x-I style)

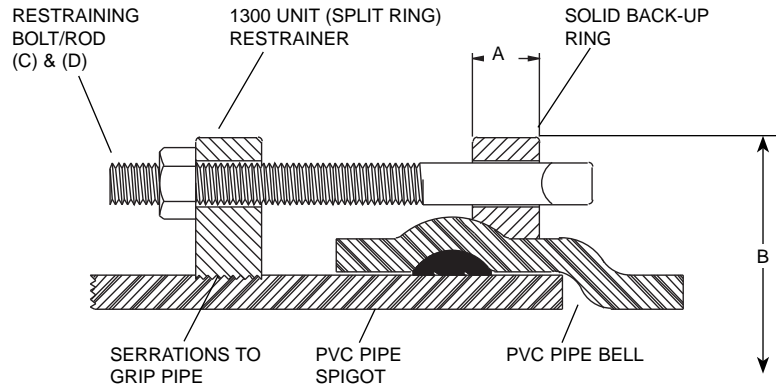


SERIES 1350-S RESTRAINT DEVICE FOR 2"-12" STEEL-SIZED PVC PIPE JOINTS

1350 BACK-UP RING



1350 ASSEMBLY



NOM PIPE SIZE	PVC PIPE WITH STEEL PIPE OD STYLE 1350-S		A	B APPROX.	RESTRAINING BOLTS / RODS		BC MAX	BC MIN	APPROX. WT. LBS.	✓SUBMITTED ITEMS
	OD	CATALOG No.			QTY. C	SIZE D				
2"	2.38	UFR1350-S-2-I	1-1/8"	6-1/4"	2	5/8" x 5"	4.75"	4.75"	8.5	
3"	3.50	UFR1350-S-3-I	1-1/8"	7-11/16"	2	5/8" x 5"	6.18"	6.18"	11.0	
4"	4.50	UFR1350-S-4-I	1-1/8"	9-1/8"	2	3/4" x 9"	7.50"	7.50"	13.0	
6"	6.63	UFR1350-S-6-I	1-1/8"	11-7/8"	2	3/4" x 9"	10.25"	9.75"	16.5	
8"	8.63	UFR1350-S-8-I	1-1/4"	14-5/8"	2	3/4" x 12"	13.00"	12.50"	26.5	
10"	10.75	UFR-1350-S-10-I	1-3/8"	16-5/8"	4	3/4" x 17"	15.00"	15.00"	43.5	
12"	12.75	UFR1350-S-12-I	1-3/8"	19-1/4"	4	3/4" x 17"	17.62"	17.62"	50.0	

FEATURES

- Back-up ring - 2" - 12" sizes: Ductile iron per ASTM A536, grade 65-45-12
- Split ring restraint - 2" - 12" sizes: Block Buster Series 1300 made from ductile iron per ASTM A536, grade 65-45-12
- Black e-coat epoxy coating with painted gray top coat for identification
- T-Bolts / Rods (included) - High strength, low alloy steel per ANSI / AWWA C111/A21.11
- Side Clamping Bolts and Nuts - Grade 5, zinc-plated
- Rated at full-rated pressure of any class PVC pipe (steel-size) with a minimum 2:1 safety factor

The Ford Meter Box Company considers the information in this submittal form to be correct at the time of publication. Item and option availability, including specifications, are subject to change without notice. Please verify that your product information is current.



The Ford Meter Box Company, Inc.
 P.O. Box 443, Wabash, Indiana U.S.A. 46992-0443
 Phone: 260-563-3171 / Fax: 800-826-3487
 Overseas Fax: 260-563-0167
 www.fordmeterbox.com



06/27/16

Submitted By: