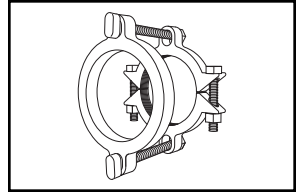


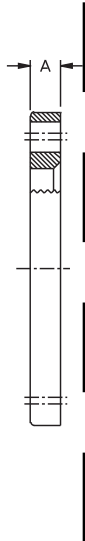
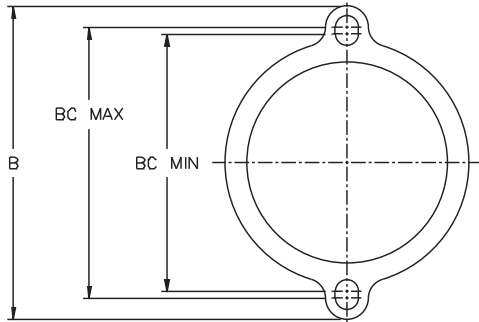
SUBMITTAL INFORMATION

Restrainers (UFR1350-C-x-U style)



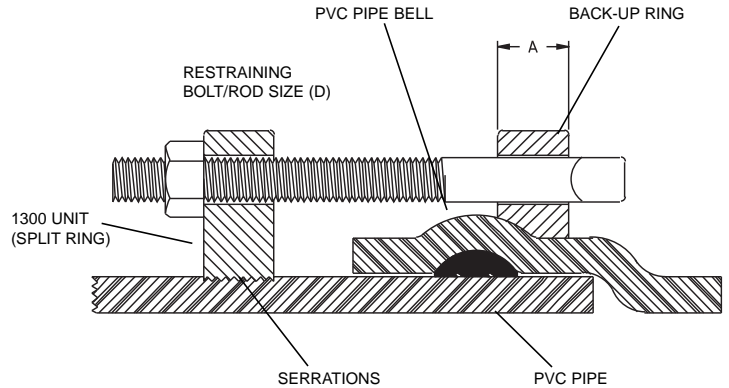
SERIES 1350-C 4" - 12" RESTRAINT DEVICE FOR PVC BELL JOINTS

1350 Back-Up Ring



NUMBER OF
RESTRAINING
BOLTS/RODS (C)

1350 Assembly



NOM PIPE SIZE	PVC PIPE WITH DI PIPE OD STYLE 1350-C		A	B APPROX.	RESTRAINTS BOLTS / RODS		BC MAX	BC MIN	APPROX. WT. LBS.	✓ SUBMITTED ITEM(S)
	OD	CATALOG No.			No. C	SIZE D				
4"	4.80	UFR1350-C-4-U	1-1/8"	9-1/8"	2	3/4" x 9"	7.50"	7.50"	12.8	
6"	6.90	UFR1350-C-6-U	1-1/8"	11-7/8"	2	3/4" x 9"	10.25"	9.75"	16.3	
8"	9.05	UFR1350-C-8-U	1-1/4"	14-5/8"	2	3/4" x 12"	13.00"	12.50"	25.8	
10"	11.10	UFR1350-C-10-U	1-3/8"	16-5/8"	4	3/4" x 17"	15.00"	15.00"	43.4	
12"	13.20	UFR1350-C-12-U	1-3/8"	19-1/4"	4	3/4" x 17"	17.62"	17.62"	49.8	

FEATURES

- Back-up ring - 4" - 12" sizes. Ductile iron per ASTM A536, grade 65-45-12
- Split ring restraint - 4" - 12" sizes: Block Buster Series 1300 made from ductile iron per ASTM A536, grade 65-45-12
- Black e-coat epoxy coating
- T-Bolts / Rods (included) - High strength, low alloy steel per ANSI / AWWA C111/A21.11
- Side Clamping Bolts and Nuts - Grade 5, zinc-plated
- Rated at full-rated pressure for most PVC pipe, minimum 2:1 safety factor
- Not recommended for use on AWWA C900, DR-14 PVC pipe (use Series 1390)

The Ford Meter Box Company considers the information in this submittal form to be correct at the time of publication. Item and option availability, including specifications, are subject to change without notice. Please verify that your product information is current.



The Ford Meter Box Company, Inc.

P.O. Box 443, Wabash, Indiana U.S.A. 46992-0443

Phone: 260-563-3171 / Fax: 800-826-3487

Overseas Fax: 260-563-0167

www.fordmeterbox.com



Submitted By:

06/27/16