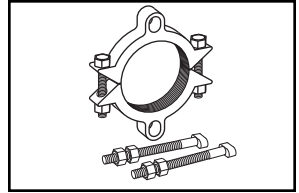
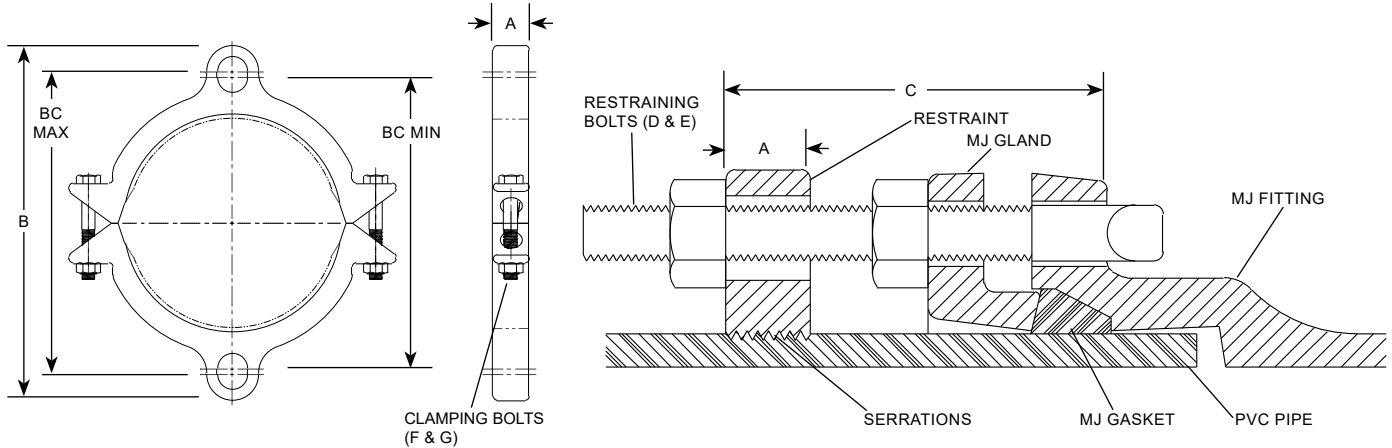


SUBMITTAL INFORMATION

Uni-Flange® Restraint - (UFR1300-C-x-I style)



**SERIES 1300-C 4"-12" RESTRAINT DEVICE FOR C900 PVC PIPE, C906 HDPE AND DUCTILE IRON PIPE
USED WITH MECHANICAL JOINT / PUSH-ON FITTINGS**



NOM PIPE SIZE	PVC PIPE WITH DUCTILE IRON PIPE OD STYLE 1300-C		A	B APPROX.	C MAX	RESTRAINING BOLTS		CLAMPING BOLTS		BC MIN	BC MAX	APPROX. WT. LBS.	✓SUBMITTED ITEM(S)
	OD	CATALOG No.				No. D	SIZE E	No. F	SIZE G				
	4"	4.80				UFR1300-C-4-I	1-1/8"	9-1/8"	6"				
6"	6.90	UFR1300-C-6-I	1-1/8"	11-1/8"	6"	2	3/4" x 7"	2	5/8" x 3-1/2"	9.14"	9.50"	10.0	
8"	9.05	UFR1300-C-8-I	1-1/4"	14-5/8"	6"	2	3/4" x 7"	2	3/4" x 4"	11.36"	13.00"	15.5	
10"	11.10	UFR1300-C-10-I	1-3/8"	16-5/8"	6"	4	3/4" x 7"	2	7/8" x 5"	13.90"	15.00"	26.5	
12"	13.20	UFR1300-C-12-I	1-3/8"	19-1/4"	6"	4	3/4" x 7"	2	7/8" x 5"	16.13"	17.62"	28.5	

FEATURES

- 4" - 12" sizes: cast ductile iron per ASTM A536 grade 65-45-12
- Black e-coat epoxy coating
- 360° contact and support of the pipe wall
- Ideal companion for push-on fittings with restraining ears
- T-Bolts (included) - High strength, low alloy steel ANSI / AWWA C111 / A21.11
- Side clamping bolts and nuts - grade 5, zinc-plated
- Rated at full-rated pressure of any class of PVC pipe, minimum 2:1 safety factor
- Rated at 250 psi on ductile iron pipe in sizes 4" through 8" and 200 psi in size 10" and 12"
- Rated at full-rated pressure of any class C906 HDPE (provided an insert is used that extends completely beneath the restraint)

The Ford Meter Box Company considers the information in this submittal form to be correct at the time of publication. Item and option availability, including specifications, are subject to change without notice. Please verify that your product information is current.



The Ford Meter Box Company, Inc.
P.O. Box 443, Wabash, Indiana U.S.A. 46992-0443
Phone: 260-563-3171 / Fax: 800-826-3487
Overseas Fax: 260-563-0167
www.fordmeterbox.com



06/24/19

Submitted By: