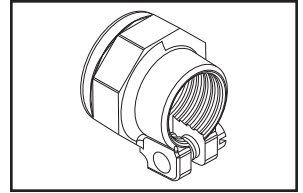
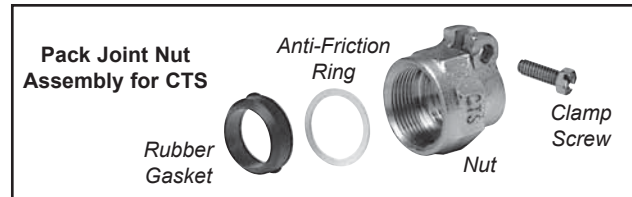
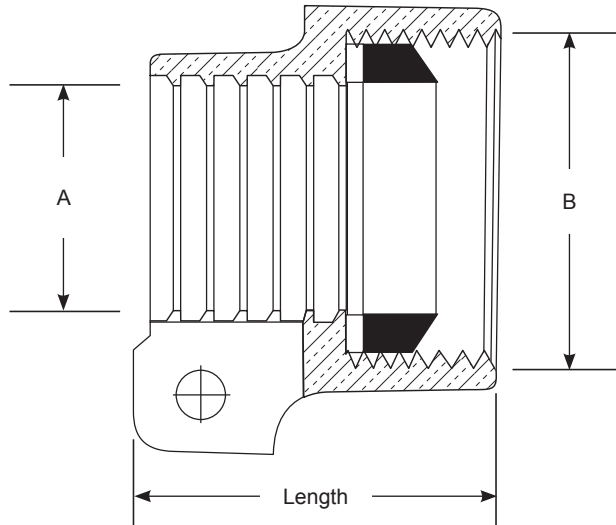


# SUBMITTAL INFORMATION

## Pack Joint Compression Nut - (NG-F4 style)



### 1" CTS PACK JOINT NUT ASSEMBLY



CONNECTION SIZE	LENGTH	DIMENSIONS A	DIMENSIONS B	APPROXIMATE WT. LBS.	PRODUCT NUMBER	✓ SUBMITTED ITEM(S)
1"	1-5/16"	1-5/32"	1-9/16"	0.4	NG-F4	

### FEATURES

- All brass conforms to AWWA Standard C800 (ASTM B-62 and ASTM B-584, UNS NO C83600 - 85-5-5-5)
- Design provides wrench flats to facilitate installation
- EPDM rubber gasket, per ASTM, D2000, ANSI/NSF Standard 61 approved
- Anti-friction ring assists proper gasket compression

The Ford Meter Box Company considers the information in this submittal form to be correct at the time of publication. Item and option availability, including specifications, are subject to change without notice. Please verify that your product information is current.



#### The Ford Meter Box Company, Inc.

P.O. Box 443, Wabash, Indiana U.S.A. 46992-0443

Phone: 260-563-3171 / Fax: 800-826-3487

Overseas Fax: 260-563-0167

<http://www.fordmeterbox.com>

11/09/11

Submitted By: