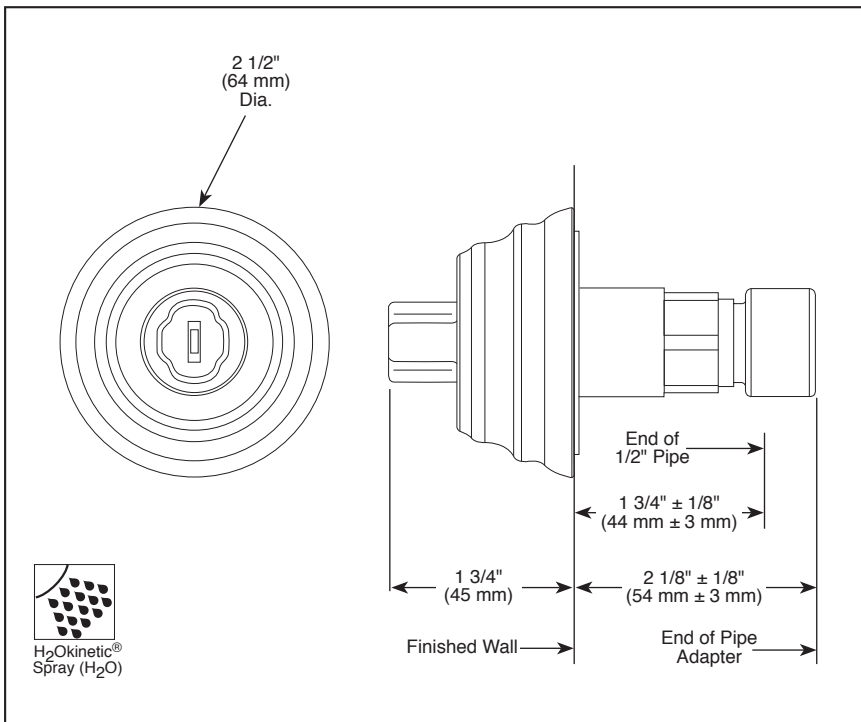


50100▲

Submitted Model No.: _____

Specific Features: _____



▲ Designate proper finish suffix



BODY JET

FEATURES:

- H₂Okinetic® Body Jet

STANDARD SPECIFICATIONS

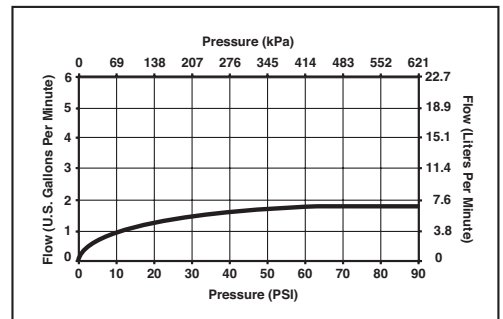
- 1.8 GPM, experience of 2.5 GPM
- Standard 1/2" rough-in
- 15° all around adjustment

WARRANTY

- Lifetime limited warranty on parts (other than electronic parts and batteries) and finishes; or, for commercial users, for 5 years from date of purchase.
- 5 year limited warranty on electronic parts (other than batteries); or, for commercial users, for 1 year from the date of purchase. No warranty is provided on batteries.

COMPLIES WITH:

- ANSI/ASME A112.18.1 / CSA B125.1



Delta reserves the right (1) to make changes in specifications and materials, and (2) to change or discontinue models, both without notice or obligation. Dimensions are for reference only. See current full-line price book or www.deltafaucet.com for finish options and product availability.

DSP-B-50100 Rev. D



55 E. 111th Street, Indianapolis, Indiana 46280
 350 South Edgeware Road, St. Thomas, ON N5P 4L1
 © 2015 Masco Corporation of Indiana