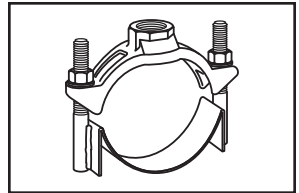
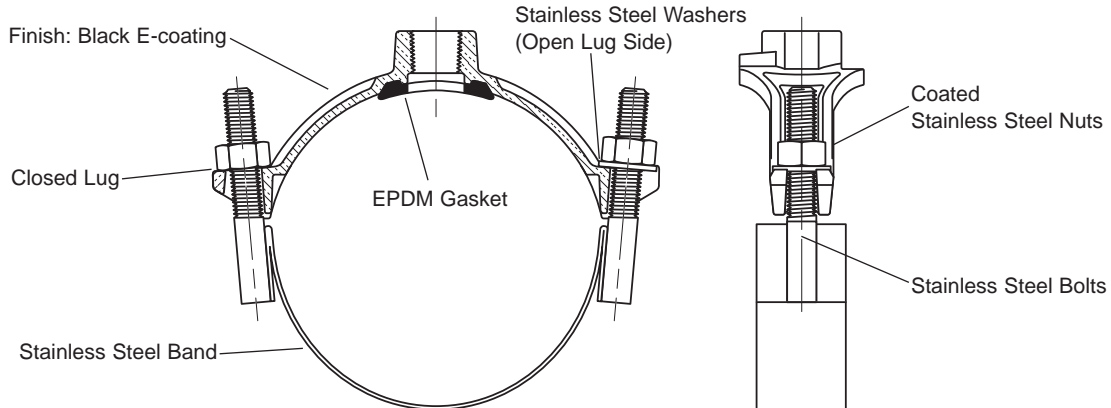


SUBMITTAL INFORMATION

Iron Service Saddles - (FS101-xxx-TAP-I style)



FS101 SINGLE BAND IRON SERVICE SADDLES



NOM. PIPE SIZE	O.D. RANGE	APPROX. WT. LBS.	CATALOG NUMBER	✓ SUBMITTED ITEM(S)
2"	2.35 - 2.50	1.8	FS101-250-TAP-I	
2-1/2"	2.75 - 2.90	2.0	FS101-290-TAP-I	
3"	3.46 - 3.80	2.3	FS101-380-TAP-I	
	3.80 - 4.25	2.5	FS101-425-TAP-I	
4"	4.26 - 4.80	3.0	FS101-480-TAP-I	
	4.74 - 5.26	3.2	FS101-526-TAP-I	
6"	5.94 - 6.69	3.5	FS101-669-TAP-I	
	6.63 - 6.90	3.5	FS101-690-TAP-I	
	6.84 - 7.60	3.5	FS101-760-TAP-I	
8"	7.93 - 8.71	4.1	FS101-871-TAP-I	
	8.63 - 9.05	4.3	FS101-905-TAP-I	
	8.99 - 9.79	4.5	FS101-979-TAP-I	
10"	10.00 - 10.75	5.8	FS101-1075-TAP-I	
	10.75 - 11.10	5.8	FS101-1110-TAP-I	
	11.10 - 12.12	5.8	FS101-1212-TAP-I	

I = Import casting

OUTLET TAP CODE

CC (AWWA) THREAD			IP THREAD		
THREAD	CODE NUMBER	✓ SUBMITTED ITEM(S)	THREAD	CODE NUMBER	✓ SUBMITTED ITEM(S)
1/2" CC	CC1		1/2" IP	IP1	
3/4" CC	CC3		3/4" IP	IP3	
1" CC	CC4		1" IP	IP4	

FEATURES

- Body made of high strength ductile iron per ASTM A536
- Wide Band and 5/8" UNC threaded bolts of 18-8 type 304 stainless steel. 1/2" bolts are furnished on saddles 3" and smaller
- Gasket is EPDM rubber, ASTM D2000
- Finish on saddle body is black e-coating
- UL Classified to ANSI/NSF 61

The Ford Meter Box Company considers the information in this submittal form to be correct at the time of publication. Item and option availability, including specifications, are subject to change without notice. Please verify that your product information is current.



The Ford Meter Box Company, Inc.

P.O. Box 443, Wabash, Indiana U.S.A. 46992-0443
 Phone: 260-563-3171 / Fax: 800-826-3487
 Overseas Fax: 260-563-0167
 www.fordmeterbox.com

11/21/14

Submitted By: