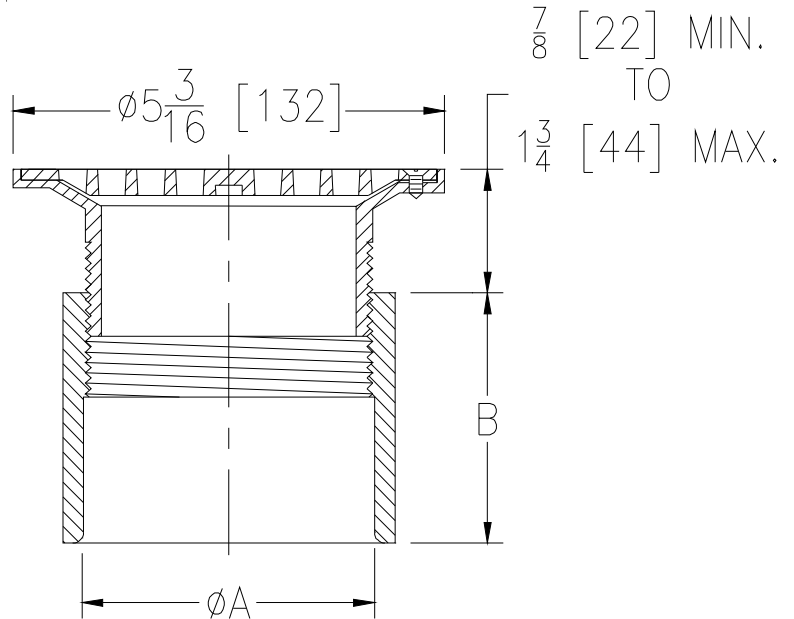


Dimensional Data (inches and [ mm ]) are Subject to Manufacturing Tolerances and Change Without Notice



Product	'A" Outlet Connection	B	Grate Open Area Sq. In [cm <sup>2</sup> ]
__ FD2210-PV2	2 [51] PVC Solvent Weld	1 7/8 [48]	7 [45]
__ FD2210-PV3	3 [76] PVC Solvent Weld	3 5/16 [84]	
__ FD2210-PV4	4 [102] PVC Solvent Weld	3 5/16 [84]	
__ FD2210-AB2	2 [51] ABS Solvent Weld	1 7/8 [48]	
__ FD2210-AB3	3 [76] ABS Solvent Weld	3 5/16 [84]	
__ FD2210-AB4	4 [102] ABS Solvent Weld	3 5/16 [84]	

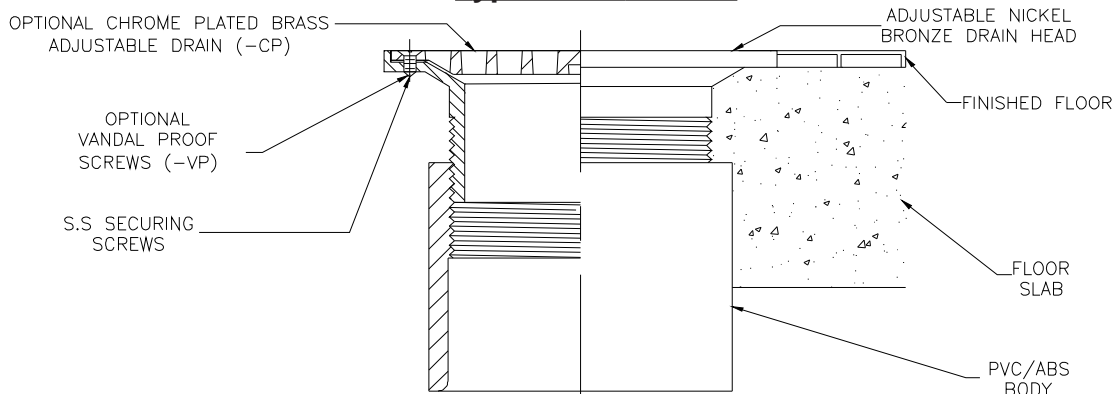
**FD2210 Adjustable Floor Drain**

Recommended for finished floor areas and designed for foot traffic and light-duty applications. Complete with PVC or ABS body, adjustable nickel bronze head and secured grate.

**Options:**

- \_\_\_ -CP Chrome Plated Top
- \_\_\_ -NT Nickel Bronze Grate
- \_\_\_ -VP Vandal-Proof

**Typical installation**



ZURN LIGHT COMMERCIAL PLUMBING PRODUCTS ♦ 1801 Pittsburgh Ave ♦ Erie, PA 16514  
Phone: 814/455-0921 ♦ Fax: 814/454-7929 ♦ World Wide Web: [www.zurn.com](http://www.zurn.com)