

*This unit offers anti-siphon protection.*

The Woodford Model 122 and V122 are designed to provide hot and cold water service in mild climate areas on exteriors or interiors of residential structures where freezing is not expected. Separate hot and cold inlets and operating handles allow for manually operated water temperature control. *These faucets are intended for irrigation purposes.*


#### SUGGESTED USES:

- Outside hot/warm water cleaning
- Washing the car
- Sanitary clean-up
- Pet care

#### Available in two models:

- Model 122 *Horizontal Mount* - Rough Brass
  - Model V122 *Vertical Mount* - Rough Brass
- Both models fit within a 2" X 4" wall.*

#### SPECIFICATIONS:

- ASSE 1019-Type C Listed 
- Anti-siphon with integral check and atmospheric vent
- Not intended for continuous use

#### FEATURES:

- 3/4" male hose nozzle
- EPDM packing with adjustable packing nut
- 5 Inlet options
- No lead solder on all solder joints
- Standard "O" size seat washer
- Powder coated die cast aluminum oval handles
- Max. Pressure - 125 p.s.i.
- Max. Water Temperature - 120° F
- Shipping weight: *(Shipped in individual cartons)*
  - Model 122: 2 lbs - 13 oz
  - Model V122: 2 lbs - 14 oz

Manufactured under one or more U.S. patents and patents pending: 4,182,356; 5,632,301; 5,632,303; 5,590,679; 6,206,039B1



**For Installation Instructions go to  
[www.woodfordmfg.com](http://www.woodfordmfg.com) or call 1-800-621-6032**

## Mild Climate Hot & Cold Wall Faucet Model 122/V122

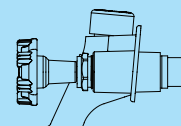


Model 122

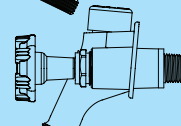


Model V122

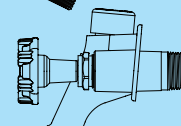
#### 122 OR V122 INLET OPTIONS



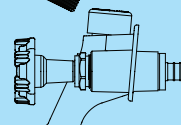
**C INLET  
COMBINATION**  
Copper Sweat Fitting  
1/2" K,L or M Inside  
3/4" M Only Outside



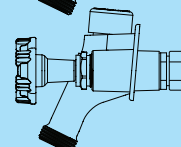
**CP INLET  
COMBINATION**  
1/2" Male Pipe Thread  
1/2" Female Sweat



**P INLET  
COMBINATION**  
1/2" Female Pipe Thread  
3/4" Male Pipe Thread

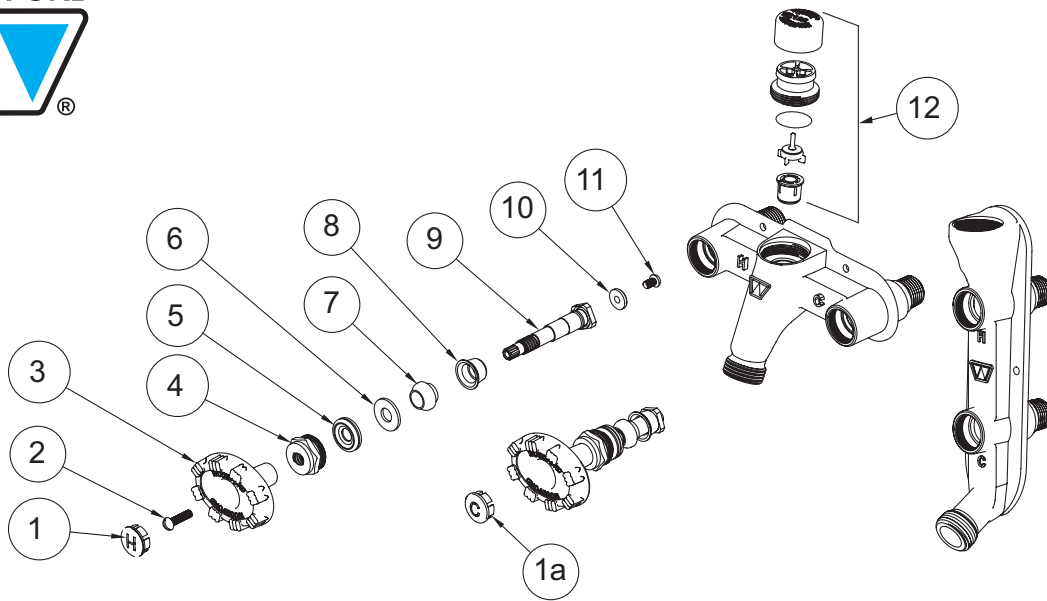


**PX INLET**  
1/2" PEX Tube Fitting



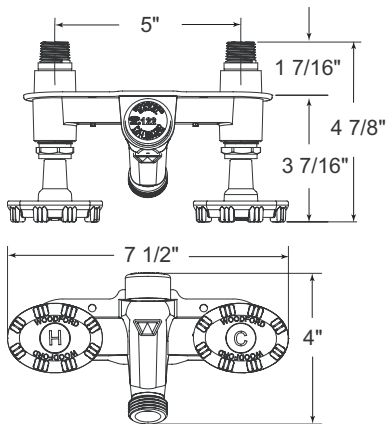
**CM INLET  
COMBINATION**  
1/2" Compression Fitting  
1/2" Copper Sweat

**When ordering, specify model & inlet.**

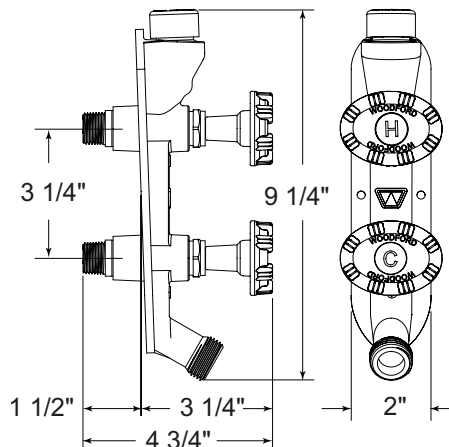


### MODEL 122 & V122 PARTS LIST

ITEM	PART#	DESCRIPTION
1	30566	Plug Button-H-Red
1a	30565	Plug Button-C-Blue
2	30002	Handle Screw (2)
3	30559	Wheel Handle (2)
4	30570	Packing Nut (2)
5	30247	EPDM Packing (2)
6	30105	Packing Support Washer (2)
7	30824	Anti-Turbulence Sleeve (2)
8	30459	Check Valve (2)
9	30571	Stem Screw (2)
10	30008	Valve Seat Rubber (2)
11	30009	Retainer Screw (2)
12	RK-122VB	Vacuum Breaker Float Kit (Model 122)
	RK-122	RK-122 Repair Kit Includes: 1 ea. Items 1, 1a & 12 2 ea. Items 2 thru 8, 10 & 11



**Model 122**  
Rough-In Dimensions



**Model V122**  
Rough-In Dimensions

For more information contact...

## WOODFORD MANUFACTURING COMPANY

2121 Waynoka Road, Colorado Springs, Colorado 80915 • Phone: (800) 621-6032 • Fax: (800) 765-4115  
To view our complete product line visit: [www.woodfordmfg.com](http://www.woodfordmfg.com) or email: [sales@woodfordmfg.com](mailto:sales@woodfordmfg.com)

A Division Of WCM Industries, Inc.