



Concealed Mixing Faucets

B-0512

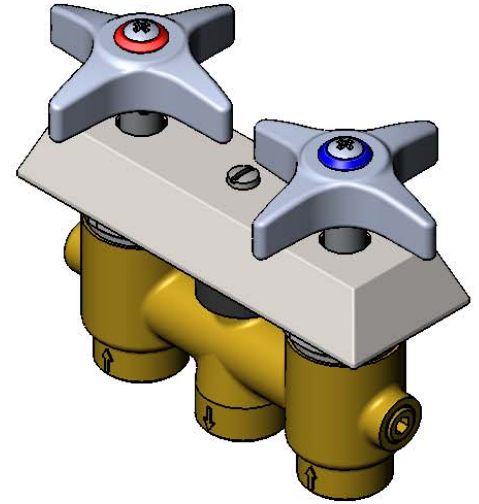
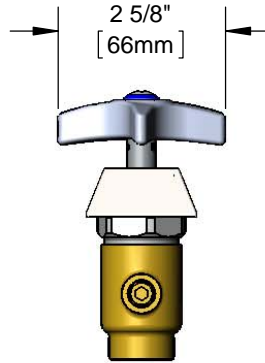
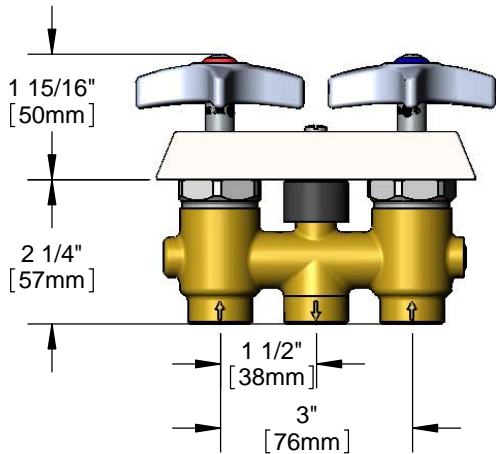
TAG:

Concealed Mixing Faucet

Architect/Engineering Specifications:

3" concealed mixing faucet with compression cartridges, 4-arm handles, 3/8" NPT female inlets and outlet, chrome plated escutcheon. Certified to ASME A112.18.1/CSA B125.1, NSF 61-Section 9 and NSF 372. Meets ADA ANSI/ICC A117.1 requirements.

Job Name _____	
Model Specified _____	Quantity _____
Variations Specified _____	
Date _____	



Features & Benefits:

- 3" concealed mixing faucet
- Eterna compression cartridges
- 4-arm handles w/ color coded indexes
- 3/8" NPT male inlets
- 3/8" NPT male outlet
- Chrome plated escutcheon
- Material: Brass body and chrome plated metal handles

Product Compliance:

- ASME A112.18.1 / CSA B125.1
- NSF 61 - Section 9
- NSF 372 (Low Lead Content)
- ANSI A117.1 (ADA)

Warranty: One Year (Limited)

Performance Data:

- Pressure: 20 - 125 psi
- Temperature: 40 °F - 140 °F
- Flow Rate: 15.40 GPM @ 60 psi



ADA Compliant

Optional Handles

- 4" Wrist Action
- Lever
- 4-Arm (Standard)

Optional Cartridges

- Quarter Turn Cerama
- Eterna (Standard)
- Quarter Turn Eterna



T&S BRASS AND BRONZE WORKS, INC.



• 2 Saddleback Cove • Travelers Rest, SC 29690
 Ph 800-476-4103 • Fax 864-834-3518
 • Simi Valley, CA • Ph 800-423-0150 • www.tsbrass.com

Date: 11/21/16