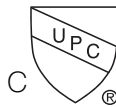


7-210-CK
Maxline
Specification Submittal

Model Number	Specification
<input type="checkbox"/> 7-210-CK <i>Connections: 3/8" compression fittings</i>	Water temperature limiting valve including integral checks and dual stainless steel strainers for double protection against suspended particles in supply lines. Valve made from lead free* metal components (see table 1 for flow rates).
Modifications	
<input type="checkbox"/> -B <i>Wall cabinet in white enamel finish including wall mounting bracket</i>	Inlet water temperature: HOT inlet range: 120°F - 180°F (48.9°C - 82.2°C) COLD inlet range: 39°F - 80°F (3.9°C - 26.7°C)
<input type="checkbox"/> -D <i>3/8" compression fitting to allow water bypass for hot and cold supply faucet</i>	Temperature control range: 59°F - 113°F (15°C - 45°C)
<input type="checkbox"/> -NI <i>Nickel plated</i>	Minimum supply pressure: 20 psi (138 kPa) Maximum supply pressure: 125 psi (862 kPa) Inlet to outlet temperature differential: 10°F (5.55°C)
<input type="checkbox"/> -T <i>Stainless steel cabinet in place of standard white cabinet</i>	<small>*According to US Senate bill S.3874, the term "lead free" is defined as follows: "not more than a weighted average of 0.25 percent lead when used with respect to the wetted surfaces of pipes, pipe fittings, plumbing fittings, and fixtures"</small>
<input type="checkbox"/> -W <i>Wall mounting bracket</i>	
Note: Append appropriate -suffix to model number.	
Compliance	Warranty
-ASME A112.18.1; CSA B125.1 -ASSE 1017; CSA B125.3 -ASSE 1070; CSA B125.3 -CA 116875 (AB 1953) -NSF/ANSI 61.9; NSF/ANSI 372 -US S.3874	5 Years - for commercial installations. Refer to www.symmons.com/warranty for complete warranty information.



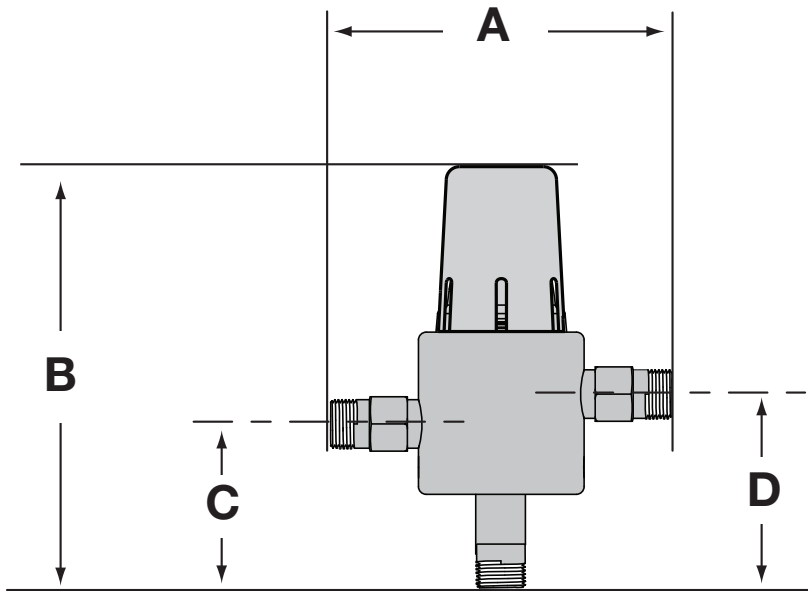
Valve Model	Size Connection	Min. Flow Rate	Pressure Differential - psi (kPa)					
			5 psi (34 kPa)	10 psi (69 kPa)	20 psi (138 kPa)	25 psi (172 kPa)	30 psi (207 kPa)	45 psi (310 kPa)
7-210-CK	3/8" Compression (10 mm)	0.5 gpm (1.9 L/min)	1.0 gpm (3.8 L/min)	2.0 gpm (7.6 L/min)	3.0 gpm (11.4 L/min)	3.5 gpm (13.3 L/min)	4.0 gpm (15.2 L/min)	5.0 gpm (19.0 L/min)

7-210-CK

Maxline

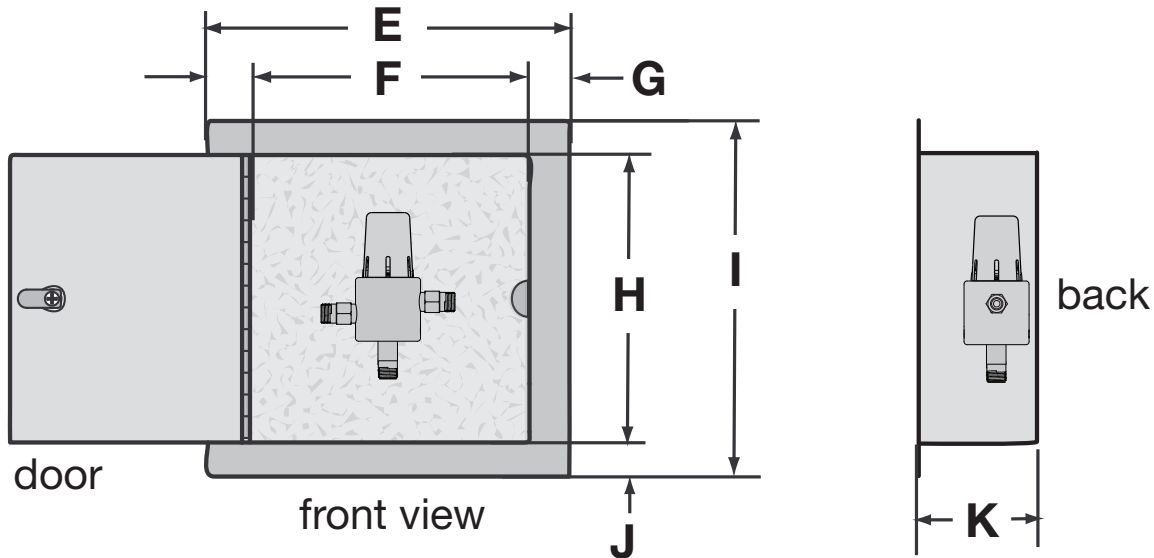
Specification Submittal

Dimensions



Measurements 7-210-CK	
A	4 1/2", 114 mm
B	5 1/4", 133 mm
C	2", 51 mm
D	2 1/2", 64 mm
E	12 1/4", 311 mm
F	10", 254 mm
G	1 1/8", 29 mm
H	10", 254 mm
I	12 1/4", 311 mm
J	1 1/8", 29 mm
K	4", 102 mm

Wall cabinet (optional)



Note: Dimensions are subject to change without notice.