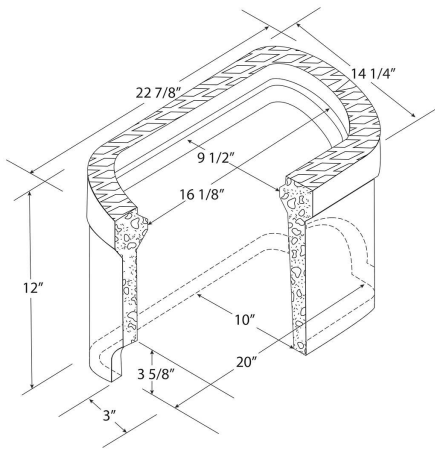


# C.H. 3/4" Concrete Meter Box

---



## Description:

Provides adequate space for either a 5/8" X 3/4" or 1" meter. The meter can be removed and repaired without disturbing the box. All boxes are made of lightweight aggregate, cement and sand for easier handling and maximum strength. This box has a skid resistant top. Similar to the 33 Series Box

## Weights:

12" Depth - 69 lbs.

## Pallet Quantities:

12" Depth - 20/Pallet

## Related Products:

- C.H. 3/4" Lid
- T. 3/4" Lid
- T.H. 3/4" Lid

