

URINAL FLANGE

868 series

SPECIFICATION

Sioux Chief 868 series urinal flanges shall be used where necessary in drainage systems. Flanges shall have a 2" hub, spigot or inside-fit connection. Connection to DWV system shall be made with a solvent weld joint to ABS/PVC pipe or fitting.

MATERIALS

- flange:* ABS or PVC
- bolts:* stainless steel
- washers:* stainless steel
- nuts:* stainless steel
- gasket:* foam rubber

SLOT CONFIGURATION

slots: fit 3½"—7" mounting centers

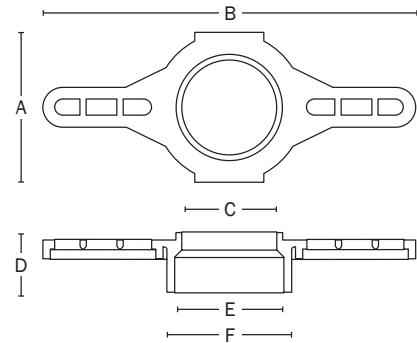
DIMENSIONS

	hub	spigot	inside-fit
A: flange height	3½"	3½"	3½"
B: flange length	8½"	8½"	8½"
C: inlet diameter	2"	2"	2"
D: flange depth	1¾"	2¾"	2¾"
E: connection I.D.	2¾"	2"	1¾"
F: connection O.D.	2¾"	2¾"	2"

Item # Submitted _____
Job Name _____
Location _____
Engineer _____
Contractor _____
PO# _____ TAG _____



868-5P



Create Item Number

868- A B

e.g. 868-5P = 2" hub connection PVC urinal flange.

- | | | | |
|----------------------------|-----------------------|----------------------------|----------|
| A | CONNECTION TYPE | B | MATERIAL |
| <input type="checkbox"/> 5 | hub connection | <input type="checkbox"/> P | PVC |
| <input type="checkbox"/> 7 | inside-fit connection | <input type="checkbox"/> A | ABS |
| <input type="checkbox"/> 9 | spigot connection | | |