

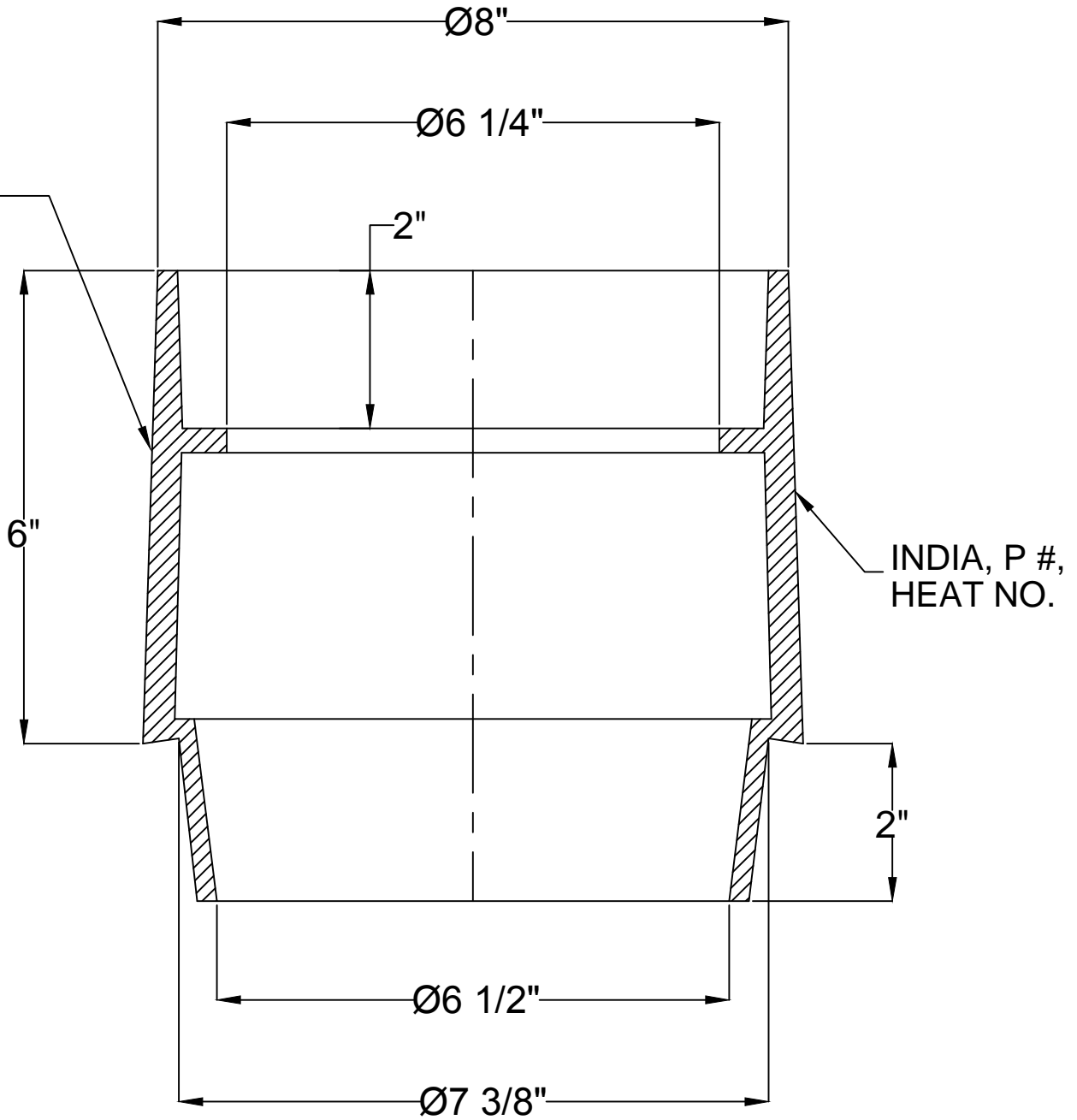


Quality – Service – Commitment – Delivered.

INDEX: NORTHEAST - VALVE BOXES

PART#	DESCRIPTION	PAGE#
VB466T	26T/36B Slide VBX - Top Flange	2
VB467T	26T/48B Slide VBX - Top Flange	3
VB4661T	26" Valve box Top w/cover - Top Flange	4
VB4662	36" Valve box Bottom	5
VB712T	12" Slip Valve Box Riser	6
VB718T	18" Slip Valve Box Riser	6
VB724T	24" Slip Valve Box Riser	6
VB4688-12	12" Rite Height VBX Riser	7
VB4688-18	18" Rite Height VBX Riser	7
VB4688-24	24" Rite Height VBX Riser	7
VB4688-12M	12" Rite Height VBX Riser - Modified	8
VB4688-18M	18" Rite Height VBX Riser - Modified	8
VB4688-24M	24" Rite Height VBX Riser - Modified	8
VB445R	18T/44B Slip Roadway Box	9
VB373P	8" Cleanout w/Plain Cover	10
VB373S	8" Cleanout w/Sewer Cover	11
VB373CO	8" Cleanout w/Cleanout Cover	12
VB374P	10" Cleanout w/Plain Cover	12
VB374S	10" Cleanout w/Sewer Cover	13
VB374CO	10" Cleanout w/Cleanout Cover	14
VB374PWT	10" Cleanout w/Plain Cover - Watertight	15
VB374SWT	10" Cleanout w/Sewer Cover - Watertight	16
VB374COWT	10" Cleanout w/Cleanout Cover - Watertight	17
VB2600W	5-1/4" VBX Cover - Water	18
VB2600S	5-1/4" VBX Cover - Sewer	19
VB2600WL	5-1/4" VBX Cover - Water w/open left arrow	20
VB2600WR	5-1/4" VBX Cover - Water w/open right arrow	21
VB2601	1" Valve box riser	22
VB26015	1-1/2" Valve box riser	23
VB2602	2" Valve box riser	24
VB26025	2-1/2" Valve box riser	25
VB2603	3" Valve box riser	26
VB2604	4" Valve box riser	27
VB2606	6" Valve box riser	28

SIGMA
VB2606



SECTIONAL ELEVATION

Note:-

1. All the dimensions are in Inches units.
2. Material: Cast Iron ASTM A48 class 30B.
3. Tolerance should be ± 0.0625 ", unless otherwise specified.
4. Refer Sigma QIP Doc.No : QA/QIP/MCC for manufacturing and inspection procedure.



Rev	Date	Revision Record	Prepared	Approved

All Radii & Fillets to be 0.12" (3mm) unless otherwise specified All Draft angles to be 2° unless otherwise specified on drawing	
Product Group :- MCC	
Coating:- BLACK BITUMINOUS/ TAR COATED	
Product Description- 6" VALVE BOX RISER	
Drawing Number :- VB2606	Rev :- 0

SIGMA
CREAM RIDGE, NEW JERSEY

DATE : 06.11.2015	DRAWN BY NS BASANTA DAS
DRAWING FOR: SUBMITTAL	CHECKED BY KS4 ASHIS DEY
SCALE: NTS	SHEET NO: 1/1
APPROVED BY SR1	

BY RECEIVING THIS DRAWING THE RECEIPT AGREEES THAT THIS DRAWINGS AND ITS CONTENTS REMAIN THE SOLE PROPERTY OF SIGMA CORPORATION. THIS DRAWING IS RECEIVED IN CONFIDENCE AND WILL NOT BE REPRODUCED TO SIGMA'S DETRIMENT. THIS DRAWING IS LOANED SUBJECT TO RETURN ON DEMAND.