

## Meter Boxes - Index

Item Number	Description	Page
MB140	RND 18" RING W/LC523 LID	MB3
MB141	RND 18" R & LID W/LOCK (12-3/4")	MB3
MB142	RND 21"R & LID W/LOCK (12-3/4")	MB4
MB143	RND 24" R& LID W/LOCK (12-3/4")	MB4
MB144	RND 24" R& LID W/LOCK (20")	MB5
MB145	RND 28" R & LID W/LOCK (12-3/4")	MB5
MB146	RND 30" R & LID W/LOCK (20")	MB6
MB147	RND 36" R & LID W/LOCK (20")	MB6
MB147TT-35	RND 36" TULSA R & LID W/LOCK (28")	MB7
MB161TT-35	RND 18" TULSA R & LID W/LOCK/AMR (12-3/4")	MB7
MB161	RND 18" R & LID W/LOCK (12-3/4")	MB8
MB162	RND 28" R & LID W/LOCK (12-3/4")	MB8
MB162TT-35	RND 28" TULSA R & LID W/LOCK (20")	MB8
MB163	RND 24" R & LID W/LOCK (12-3/4")	MB9
MB163TT-35	RND 24" COT MBX	MB9
MB164	RND 24" R & LID W/LOCK (20")	MB10
MB166	OVAL 17-1/2 X 11-1/4 X 9 1/2 MBX W/LOCK	MB10
MB1671H-35	HARLINGEN 17-1/2 X 11-1/4 X 9 1/2 OVAL MBX	MB10
MB167	17-1/2 X 11-1/4 X 9 1/2 OVAL MBX	MB10
MB168	RND 18" Meter tile ring & Cvr	MB11
MB169T	WICHITA 21" R & LID W/AMR	MB11
MB170	SAN ANTONIO OVAL MBX 3PC	MB11
MB172	AUSTIN 18" R & LID W/LOCK (12-34")	MB12
MB174	AUSTIN 24" R & LID W/LOCK (19")	MB12
MB1781	RECT 12" X 18" MBX	MB12
MB1782	RECT 15" X 25" MBX	MB12
MB1783	RECT 30" X 15" MBX	MB13
MB1824	18X24 MB ADAPTER RING	MB13
MB1830	18X30 MB ADAPTER RING	MB13
MB1836	18X36 MB ADAPTER RING	MB13
MB2036	20X36 MB ADAPTER RING	MB13
MB2801	HARPER OVAL METER BOX LID	MB14
MB281	OVAL NEW ORLEANS MBX	MB14
MB282	10"X19"X10" ROME METER BOX	MB14
MB285	20" R & LID (12")	MB14
MB286	18" R & LID (12-1/2")	MB15
MB286T	18" R & LID W/AMR (12-1/2")	MB15
MB382	OVAL 10"X19"X12" MBX	MB15
MB385	RND AMARILLO MBX R & LID	MB15
MB387	PANAMA BOX OR YOKE MBX	MB16
MB388	OVAL 10"X19"X18" MBX	MB16
MB51B	18"x18" TALL "DALLAS" WHITE MBX	MB16
MB61A	18"X14" TALL CORR CAN W/CI CVR	MB17
MB61B	18"X18" TALL CORR CAN W/CI CVR	MB17
MB61C	18"X24" TALL CORR CAN W/CI CVR	MB17

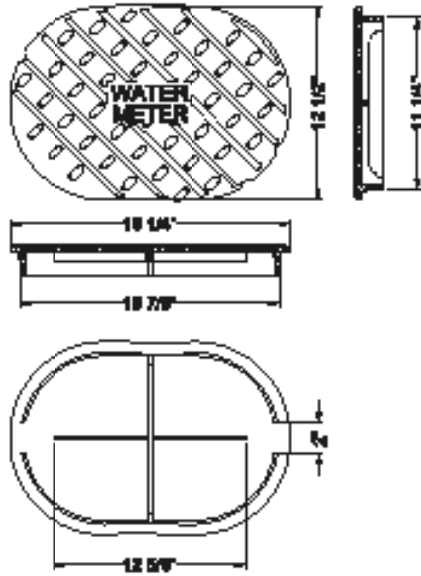


Municipal

# Meter Boxes/Frames & Covers

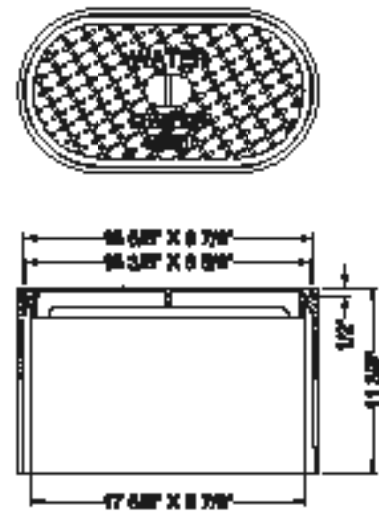
C  
A  
S  
T  
I  
N  
G  
S

MB2801



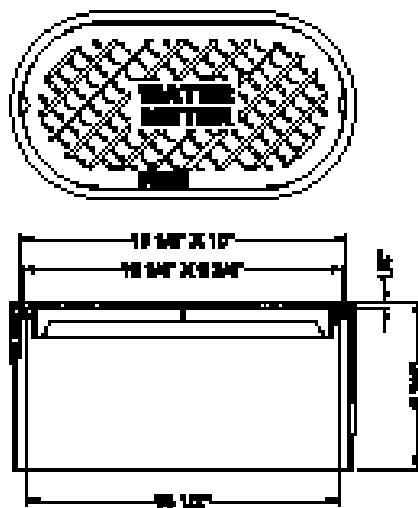
Weight: 22 lbs

MB281



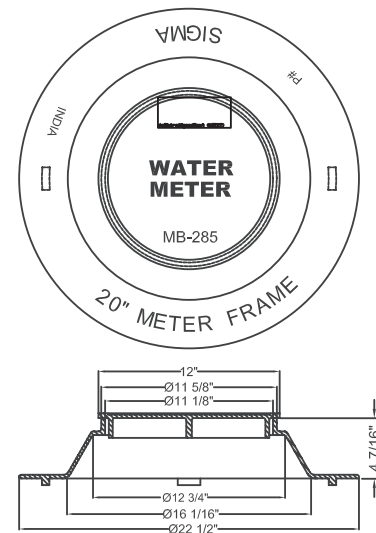
Weight: 58 lbs

MB282



Weight: 44 lbs

MB285



Weight: 39 lbs