

## Frames and Grates

Item Number	Description	Page
FG136	12"X12" X1" F&G	FG3
FG114	14"X14" FRAME & GRATE	FG3
FG115	14"X14"CATCH BASIN F&G	FG3
FG113	14-1/2"X14-1/2" FRAME & GRATE	FG3
FG135	18"X18"X1-1/2" F&G	FG3
FG137	20"X20"X1-1/2" F&G	FG3
FG128	21"X21"FRAME & GRATE	FG3
FG134	24"X24" X11/2" F&G	FG3
FG138	26"X26" FRM & GRT	FG3
FG127	27"X27" FR & GRATE W/1-5/8" SLOTS	FG3
FG131	32"X32" F&G WIDE SLOT	FG3
FG132	38"X38" FRAME & GRATE "WIDE SLOT"	FG3
FG1191	15"X23" TRENCH GRATE ONLY	FG3
FG1224	12"X24"X2" TRENCH GRATE ONLY	FG4
FG127M	27"X27" FR & GRATE W/1-5/16" SLOTS	FG4
FG130	30"X30" F&G PLAIN	FG5
FG130B	30"X30" F W/ BIKE GRATE	FG5
FG134M	24"X24" FRAME & GRATE ONLY	FG6
FG134R	24"X24"REVERSIBLE F&G	FG6
FG133	TYPE "D" FRAME & GRATE	FG7
FG1391	34"X34" GRATE ONLY	FG7
FG1391P	34"X34" SOLID CVR W/4LIFT	FG8
FG140C-35	COH BB INLT- CVR SET	FG8
FG141C-35	COH BB INLT- GRT SET	FG9
FG142C-35	COH "TYPE A"- SET	FG10
FG143C-35	COH "TYPE D"- SET	FG10
FG145C-35	COH "B" INLT- CVR SET	FG11
FG146C-35	COH "B" INLT- GRT SET	FG11
FG215	30"X25" DOUBLE GRT & FRM	FG12
FG216	24"X24" "KCMO" F&G	FG12
FG2300P	LOUISIANA INLET CVR ONLY	FG13
FG2302	LOUISIANA INTAKEONLY	FG13
FG2306	LOUISIANA FRAME ONLY	FG14
FG231	SINGLE TYPE CATCH BASIN	FG14
FG232	DOUBLE TYPE CATCH BASIN	FG15
FG233	32"X32" FRAME & GRATE	FG15
FG238	38"X38" "REVERSIBLE" F&G	FG16
FG239	38"X38" FRM&GRT	FG16
FG251M-35	48"X48" FRM & DOUBLE GRATE	FG17
FG291GV	TYPE C GALVANIZED F&G	FG17
FG576	24"x36" CTCH BASN F&G	FG18
FG678S/W	FT.WRTH 40"X24" F&CVR	FG18
FG1341ADA	24"X24"X2"ADA GRATE ONLY	FG19
FG3838	38"X38" "ADA" GRATE ONLY	FG19
	FLOW CALCULATIONS	FG20

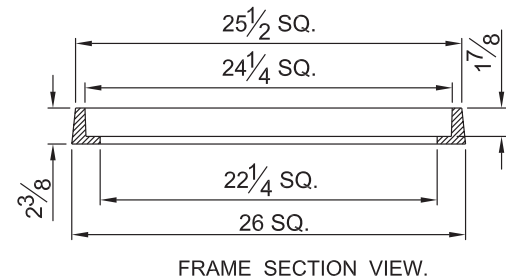
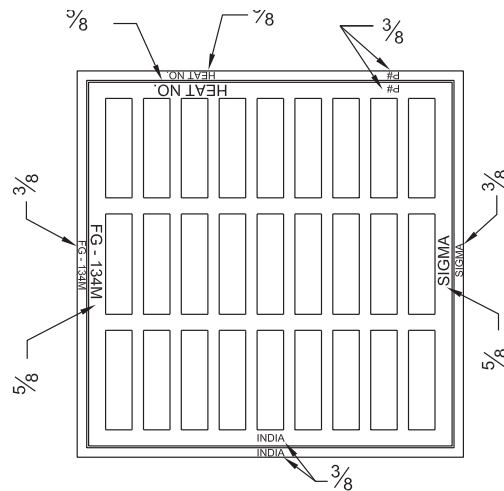


Municipal

# Frames and Grates

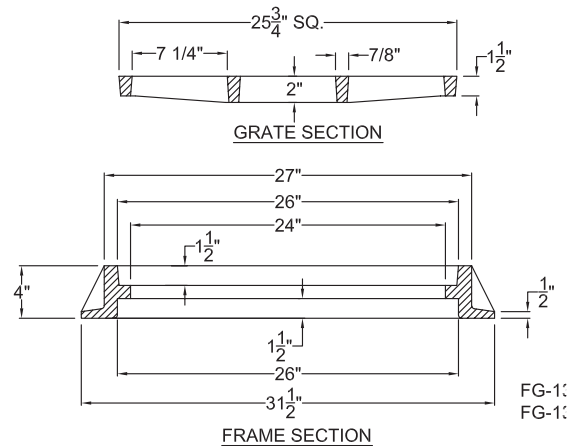
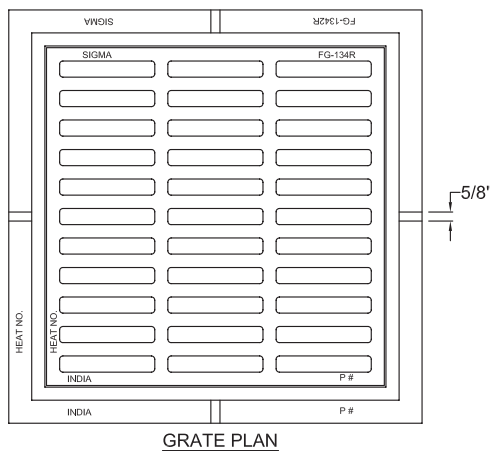
C  
A  
S  
T  
I  
R  
O  
N  
S  
I  
G  
N  
S

## FG134M



Weight: 160 lbs.

## FG134R



Weight: 278 lbs.



## Frames and Grates

### Flow Calculations

Model	K (Orifice Coef- ficient)	A (Flow Area)	g ( Gravity)	h (Height of the water above the grate) in.	Flow Rate
		in2	ft2/s		ft3/s
FG112	0.67	215.53	32.2	6	5.69
FG113	0.67	176.25	32.2	6	4.65
FG114	0.67	93	32.2	6	2.46
FG115	0.67	79.3125	32.2	6	2.09
FG1191	0.67	175.5	32.2	6	4.63
FG1224	0.67	112.5	32.2	6	2.97
FG127	0.67	390	32.2	6	10.30
FG128	0.67	202.5	32.2	6	5.35
FG130	0.67	558.14	32.2	6	14.74
FG130B	0.67	325.5	32.2	6	8.59
FG131	0.67	477	32.2	6	12.59
FG132	0.67	558	32.2	6	14.73
FG133	0.67	303.75	32.2	6	8.02
FG134	0.67	315	32.2	6	8.32
FG1341ADA	0.67	168.75	32.2	6	4.46
FG134M	0.67	313.03	32.2	6	8.26
FG134R	0.67	299.06	32.2	6	7.90
FG135	0.67	146.78	32.2	6	3.88
FG136	0.67	70	32.2	6	1.85
FG137	0.67	153	32.2	6	4.04
FG138	0.67	317.953	32.2	6	8.39
FG1391	0.67	534.375	32.2	6	14.11
FG140C-35	0.67	0	32.2	6	0.00
FG141C-35	0.67	475.3125	32.2	6	12.55
FG142C-35	0.67	473.06	32.2	6	12.49
FG143C-35	0.67	324	32.2	6	8.55
FG145C-35	0.67	0	32.2	6	0.00
FG146C-35	0.67	237.656	32.2	6	6.27
FG215	0.67	198.28	32.2	6	5.24
FG216	0.67	268.75	32.2	6	7.10
FG231	0.67	401.5	32.2	6	10.60
FG233	0.67	364.5	32.2	6	9.62
FG238	0.67	750.75	32.2	6	19.82
FG239	0.67	693	32.2	6	18.30
FG250	0.67	1212.75	32.2	6	32.02
FG251	0.67	1212.75	32.2	6	32.02
FG251M-35	0.67	1212.75	32.2	6	32.02
FG576	0.67	417.375	32.2	6	11.02