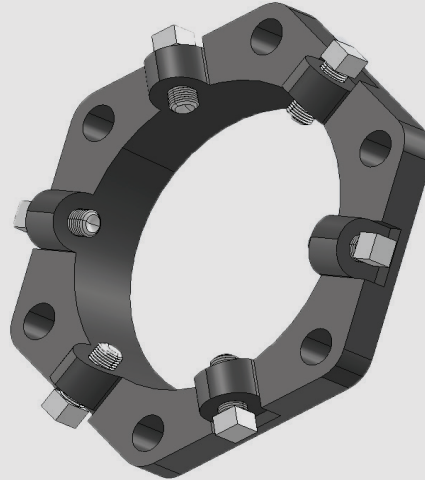
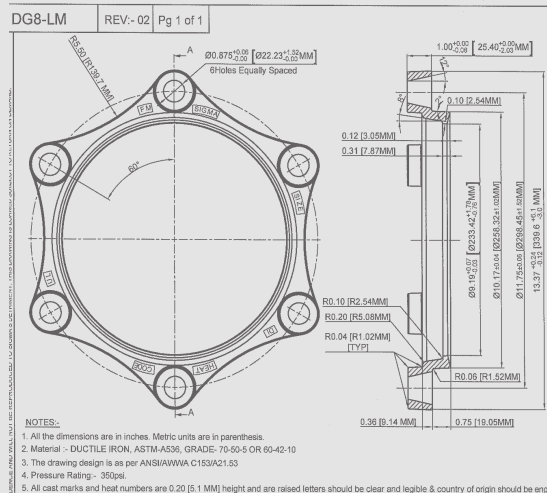


# Accessory Products

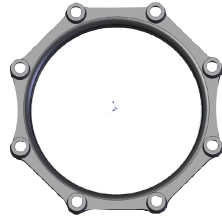


- Ductile Iron Set Screw Retainer Glands
- Mechanical Joint And Transition Gaskets
- Mechanical Joint Glands
- Mechanical Joint T-Bolts And Nuts
- Prepackaged Mechanical Joint Accessories
- SIGMASEAL™ Improved MJ Gasket

# Accessory Products

## Mechanical Joint Compact Fittings Accessories

Ductile Iron Class 350 as per ANSI/AWWA C153/A21.53



### MJ Glands

Size	Item No.	Wt.
2	DG2	2
3	DG3	4
4	DG4	5
6	DG6	6
8	DG8	7
10	DG10	10
12	DG12	15
14	DG14	23
16	DG16	28
18	DG18	30
20	DG20	43
24	DG24	50
30	DG30	85
36	DG36	115
42	DG42	180
48	DG48	275

### MJ Gland Packs

Size	Item No.	Wt.
2	DGP2	6
3	DGP3	7
4	DGP4	8
6	DGP6	12
8	DGP8	15
10	DGP10	20
12	DGP12	25
14	DGP14	37
16	DGP16	43
18	DGP18	47
20	DGP20	61
24	DGP24	72
30	DGP30	117
36	DGP36	157
42	DGP42	255
48	DGP48	361

### MJ Gaskets & MJ Transition Gasket

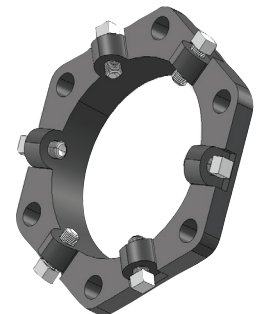
Size	Item No.	Wt.	Item No.	Wt.
2	MG2			
3	MG3	0.25	TG3	0.50
4	MG4	0.30	TG4	0.60
6	MG6	0.50	TG6	0.75
8	MG8	0.75	TG8	1.10
10	MG10	0.80	TG10	1.30
12	MG12	1.00	TG12	1.65
14	MG14	1.30	TG14	
16	MG16	1.45	TG16	
18	MG18	1.60		
20	MG20	1.90		
24	MG24	2.10		
30	MG30	2.30		
36	MG36	2.75		
42	MG42	3.20		
48	MG48	3.65		

Includes: Gland, MJ Gasket, and Standard Tee Bolts & Nuts

TG14-TG16 are not standard and AWWA  
TG14-TG16 are not pressure rated

### MJ Retainer Glands

Pipe Size	Item No.	Wt.	IRON PIPE O.D	Rating (psi)	Qty	Size	Torque (ft-lbs)
3	RMG3	5	3.96	350	4	5/8 X 2	85
4	RMG4	7	4.80	350	4	5/8 X 2	85
6	RMG6	12	6.90	350	6	5/8 X 2	85
8	RMG8	16	9.05	250	9	5/8 X 2	85
10	RMG10	22	11.10	250	16	5/8 X 2	85
12	RMG12	28	13.20	250	16	5/8 X 2	85
14	RMG14	45	15.30	250	20	5/8 X 2	85
16	RMG16	52	17.40	250	24	5/8 X 2	85
18	RMG18	62	19.50	200	24	5/8 X 2	85
20	RMG20	75	21.60	200	28	3/4 X	110
24	RMG24	97	25.80	200	32	3 3/4 X	110
30	RMG30	196	32.00	100	40	3 3/4 X 3	110
36	RMG36	246	38.30	100	48	3/4 X 2-1/2	110
42	RMG42	302	44.50	100	56	3/4 X 2-1/2	110
48	RMG48	380	50.80	100	64	3/4 X 2-1/2	110



RMGP (Retainer gland pack)

Available in packs: Packs include DG, T-Bolts and MG

Material: DI 65-45-12

Material of Set Screws: Low alloy carbon steel