



100 Royal Way  
 Temple, GA 30179  
 Phone (800) 520-6593

**SPECIFICATION DATA SHEET**

Date:12-5-14

**MODEL No. 501  
 Top Outlet Insulated  
 Box**

**DIMENSIONAL DATA**

<u>Register Size AxB</u>	<u>Collar Size</u>	<u>R4/R6/R8 Actual Dimensions AxB</u>	<u>Height C</u>
8x4	4, 5	10x6	5½
10x6	5, 6	12x8	5½
12x6	6, 7	14x8	5½
12x8	8	14x10	6
14x6	8	17x9	6

**FABRICATION DATA**

**Material:**

ASTM-A653 CS Type B Galvanized Steel,  
 G-30 Coating LFQ Chemical Treatment

**Gauge:** 30GA

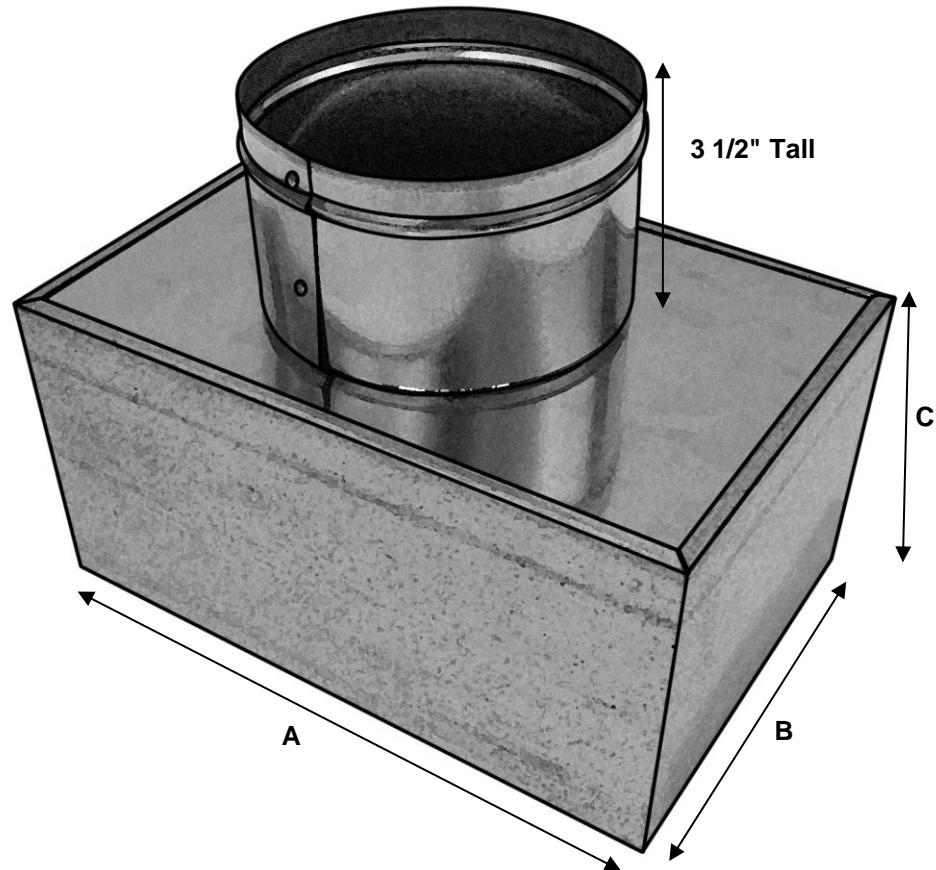
**Assembly:**

Ceiling boot assembled with C-115 2/16" zinc coated steel rivets and has a rectangular opening with a 1/2" drywall flange. The collar is 3 1/2" tall roll formed 30GA steel with 1/4" bead for flex attachment. Collar has 1/8" finished hem.

**Insulation:**

Knauf Equipment Liner M with ECOSE® Technology  
 Available Thickness: R4 - 1", R6 - 1½", & R8 - 2"

ASTM C 1071, Type I, Flexible (replaces obsolete Federal Specification HH-I-545B.) NFPA 90A/90B, ASTM C 665/1617  
 Temperature Range (ASTM C 411), Microbial Growth (ASTM C1338, G21)



**Superior Quality, Superior Service, Superior Value.. that's the Royal Advantage**