



RHPL

Parts List
07-October-2016



*This parts list is current as of the above revision date.
See <http://www.rheempartslists.net/92-42800-RHPL.pdf> for the current revision.*

Air Handlers

Table of Contents

Model Explanation	Page 3
Parts Numbers	
Panels - Miscellaneous (Granite-Steel Gray)	Page 4
Panels - Miscellaneous (Neutra Green)	Page 5
Blower Group	Page 6
Electrical Group	Page 7
Coil Parts	Page 8
Heater Kits	Page 8
Drawings/Photographs	
Exploded View	Page 9
Blower Assembly	Page 10
Notes/Disclaimer	Page 11

MODEL NUMBER EXPLANATION

R	H	P	L	-	HM	24	21	J	A
1	2	3	4		5	6	7	8	9

- | | | | |
|----------|---|----------|--|
| 1 | MODEL DESIGNATION | 7 | CABINET SIZE
21= 21 in.
24= 24.5 in. |
| 2 | H = AIR HANDLER | | |
| 3 | P = 16 SEER PREMIUM MODEL | 8 | VOLTAGE
J= 208-240/1/60 |
| 4 | L = R-410A | | |
| 5 | HM = A/C OR HP, MULTI-POSITION | 9 | DESIGN VARIATION
A= First Design
C= Communicating |
| 6 | CAPACITY
24= 24,000 BTU/HR
36= 36000 BTU/HR
38= 36,000 BTU/HR
48= 48,000 BTU/HR
60= 60,000 BTU/HR | | |

SERIAL NUMBER EXPLANATION

M	0	7	0	7	0	9	9	9	9
1	2	3	4						

- | | |
|----------|--|
| 1 | PRODUCTION LOCATION
M = Milledgeville, GA
W = Nuevo Laredo (West) |
| 2 | WEEK OF PRODUCTION |
| 3 | YEAR OF PRODUCTION |
| 4 | PRODUCTION NUMBER |

No.	Notes	MODEL	RHPL	RHPL	RHPL	RHPL	RHPL
		CAPACITY	24	24	36	36	38
		CABINET SIZE	21	21	21	21	21
		VOLTAGE	J	J	J	J	J
		VARIATION	A	C	A	C	C
SHEET METAL PARTS, MISCELLANEOUS (Granite/Steel Gray, After Date Code: 0112 for JC / 0512 for JA)							
1	Cabinet	AE-100682-32	AE-100682-32	AE-100682-32	AE-100682-32	AE-100682-33	
	Insulation - Cabinet	68-101121-02	68-101121-02	68-101121-02	68-101121-02	68-101121-03	
	Insulation - Retainer (2)	45-102868-03	45-102868-03	45-102868-03	45-102868-03	45-102868-03	
2	Coil Door	AE-100685-33	AE-100685-33	AE-100685-33	AE-100685-33	AE-100685-34	
	Insulation - Coil Door	68-101577-07	68-101577-07	68-101577-07	68-101577-07	68-101577-08	
3	Top Cover Plate	AE-100686-32	AE-100686-32	AE-100686-32	AE-100686-32	AE-100686-32	
	Insulation - Top Cover Plate	68-101122-02	68-101122-02	68-101122-02	68-101122-02	68-101122-02	
4	Blower Door	AE-100684-32	AE-100684-32	AE-100684-32	AE-100684-32	AE-100684-32	
	Insulation - Blower Door	68-101576-02	68-101576-02	68-101576-02	68-101576-02	68-101576-02	
	Gasket (Blower and Coil Doors)	68-42246-03	68-42246-03	68-42246-03	68-42246-03	68-42246-03	
5	Access Panel	AE-101133-31	AE-101133-31	AE-101133-31	AE-101133-31	AE-101133-31	
	Insulation - Access Panel	68-101644-01	68-101644-01	68-101644-01	68-101644-01	68-101644-01	
6	Drain Pan - Vertical	See RCSM Coil Parts List					
7	Drain Pan - Horizontal	See RCSM Coil Parts List					
8	Plate - Block Off	AE-100455-01	AE-100455-01	AE-100455-01	AE-100455-01	AE-100455-01	
9	Cabinet Brace	AE-101134-03	AE-101134-03	AE-101134-03	AE-101134-03	AE-101134-03	
10	Middle Brace	AE-101054-02	AE-101054-02	AE-101054-02	AE-101054-02	AE-101054-02	
13a	Heat Barrier	AE-100683-05	AE-100683-05	AE-100683-05	AE-100683-05	AE-100683-06	
13b	Heat Barrier Side (2)	AE-104241-01	AE-104241-01	AE-104241-01	AE-104241-01	AE-104241-01	

No.	Notes	MODEL	RHPL	RHPL	RHPL	RHPL
		CAPACITY	48	48	60	60
		CABINET SIZE	24	24	24	24
		VOLTAGE	J	J	J	J
		VARIATION	A	C	A	C
SHEET METAL PARTS, MISCELLANEOUS (Granite/Steel Gray, After Date Code: 0112 for JC / 0512 for JA)						
1	Cabinet	AE-100682-35	AE-100682-35	AE-100682-35	AE-100682-35	
	Insulation - Cabinet	68-101121-04	68-101121-04	68-101121-04	68-101121-04	
	Insulation - Retainer (2)	45-102868-04	45-102868-04	45-102868-04	45-102868-04	
2	Coil Door	AE-100685-36	AE-100685-36	AE-100685-36	AE-100685-36	
	Insulation - Coil Door	68-101577-09	68-101577-09	68-101577-09	68-101577-09	
3	Top Cover Plate	AE-100686-33	AE-100686-33	AE-100686-33	AE-100686-33	
	Insulation - Top Cover Plate	68-101122-03	68-101122-03	68-101122-03	68-101122-03	
4	Blower Door	AE-100684-33	AE-100684-33	AE-100684-33	AE-100684-33	
	Insulation - Blower Door	68-101576-03	68-101576-03	68-101576-03	68-101576-03	
	Gasket (Blower and Coil Doors)	68-42246-03	68-42246-03	68-42246-03	68-42246-03	
5	Access Panel	AE-101133-31	AE-101133-31	AE-101133-31	AE-101133-31	
	Insulation - Access Panel	68-101644-01	68-101644-01	68-101644-01	68-101644-01	
6	Drain Pan - Vertical	See RCSM Coil Parts List				
7	Drain Pan - Horizontal	See RCSM Coil Parts List				
8	Plate - Block Off	AE-100455-01	AE-100455-01	AE-100455-01	AE-100455-01	
9	Cabinet Brace	AE-101134-04	AE-101134-04	AE-101134-04	AE-101134-04	
10	Middle Brace	AE-101054-03	AE-101054-03	AE-101054-03	AE-101054-03	
13a	Heat Barrier	AE-100683-08	AE-100683-08	AE-100683-08	AE-100683-08	
13b	Heat Barrier Side (2)	AE-104241-01	AE-104241-01	AE-104241-01	AE-104241-01	

No.	Notes	MODEL CAPACITY CABINET SIZE VOLTAGE VARIATION	RHPL	RHPL	RHPL	RHPL
			24 21 J A	24 21 J C	36 21 J A	36 21 J C
SHEET METAL PARTS, MISCELLANEOUS (Neutra Green, Before Date Code: 0112 for JC / 0512 for JA)						
1		Cabinet	AE-100682-02	AE-100682-02	AE-100682-02	AE-100682-02
		Insulation - Cabinet	68-101121-02	68-101121-02	68-101121-02	68-101121-02
		Insulation - Retainer (2)	45-102868-03	45-102868-03	45-102868-03	45-102868-03
2		Coil Door	AE-100685-03	AE-100685-03	AE-100685-03	AE-100685-03
		Insulation - Coil Door	68-101577-07	68-101577-07	68-101577-07	68-101577-07
3		Top Cover Plate	AE-100686-02	AE-100686-02	AE-100686-02	AE-100686-02
		Insulation - Top Cover Plate	68-101122-02	68-101122-02	68-101122-02	68-101122-02
4		Blower Door	AE-100684-02	AE-100684-02	AE-100684-02	AE-100684-02
		Insulation - Blower Door	68-101576-02	68-101576-02	68-101576-02	68-101576-02
		Gasket (Blower and Coil Doors)	68-42246-03	68-42246-03	68-42246-03	68-42246-03
5		Access Panel	AE-101133-01	AE-101133-01	AE-101133-01	AE-101133-01
		Insulation - Access Panel	68-101644-01	68-101644-01	68-101644-01	68-101644-01
6		Drain Pan - Vertical	See RCSM Coil Parts List			
7		Drain Pan - Horizontal	See RCSM Coil Parts List			
8		Plate - Block Off	AE-100455-01	AE-100455-01	AE-100455-01	AE-100455-01
9		Cabinet Brace	AE-101134-03	AE-101134-03	AE-101134-03	AE-101134-03
10		Middle Brace	AE-101054-02	AE-101054-02	AE-101054-02	AE-101054-02
13a		Heat Barrier	AE-100683-05	AE-100683-05	AE-100683-05	AE-100683-05
13b		Heat Barrier Side (2)	AE-104241-01	AE-104241-01	AE-104241-01	AE-104241-01

No.	Notes	MODEL CAPACITY CABINET SIZE VOLTAGE VARIATION	RHPL	RHPL	RHPL	RHPL
			48 24 J A	48 24 J C	60 24 J A	60 24 J C
SHEET METAL PARTS, MISCELLANEOUS (Neutra Green, Before Date Code: 0112 for JC / 0512 for JA)						
1		Cabinet	AE-100682-05	AE-100682-05	AE-100682-05	AE-100682-05
		Insulation - Cabinet	68-101121-04	68-101121-04	68-101121-04	68-101121-04
		Insulation - Retainer (2)	45-102868-04	45-102868-04	45-102868-04	45-102868-04
2		Coil Door	AE-100685-06	AE-100685-06	AE-100685-06	AE-100685-06
		Insulation - Coil Door	68-101577-09	68-101577-09	68-101577-09	68-101577-09
3		Top Cover Plate	AE-100686-03	AE-100686-03	AE-100686-03	AE-100686-03
		Insulation - Top Cover Plate	68-101122-03	68-101122-03	68-101122-03	68-101122-03
4		Blower Door	AE-100684-03	AE-100684-03	AE-100684-03	AE-100684-03
		Insulation - Blower Door	68-101576-03	68-101576-03	68-101576-03	68-101576-03
		Gasket (Blower and Coil Doors)	68-42246-03	68-42246-03	68-42246-03	68-42246-03
5		Access Panel	AE-101133-01	AE-101133-01	AE-101133-01	AE-101133-01
		Insulation - Access Panel	68-101644-01	68-101644-01	68-101644-01	68-101644-01
6		Drain Pan - Vertical	See RCSM Coil Parts List			
7		Drain Pan - Horizontal	See RCSM Coil Parts List			
8		Plate - Block Off	AE-100455-01	AE-100455-01	AE-100455-01	AE-100455-01
9		Cabinet Brace	AE-101134-04	AE-101134-04	AE-101134-04	AE-101134-04
10		Middle Brace	AE-101054-03	AE-101054-03	AE-101054-03	AE-101054-03
13a		Heat Barrier	AE-100683-08	AE-100683-08	AE-100683-08	AE-100683-08
13b		Heat Barrier Side (2)	AE-104241-01	AE-104241-01	AE-104241-01	AE-104241-01

No.	Notes	MODEL CAPACITY CABINET SIZE VOLTAGE VARIATION	RHPL	RHPL	RHPL	RHPL	RHPL	
			24	36	38	48	60	
			21	21	21	24	24	
			J	J	J	J	J	
			C	C	C	C	C	
BLOWER GROUP								
15	Stk	Blower Assembly (Includes items 16-22)	AS-101885-11	AS-101885-12	AS-101885-20	AS-101885-13	AS-101885-13	
16		Mounting Bracket - Control Board	AE-101049-01	AE-101049-01	AE-101049-01	AE-101049-01	AE-101049-01	
17		Transformer	See Electrical Group					
18		Control Board - ECM	See Electrical Group					
19		Blower Housing w/Wheel	70-101729-02	70-101729-02	70-101729-08	70-101729-04	70-101729-04	
	Stk	Blower Wheel	703014	703014	703023	703015	703015	
20		Motor Mount - Band	70-19927-04	70-19927-04	70-19927-04	70-19927-04	70-19927-04	
21		Motor Mount - Arm (4)	70-19929-10	70-19929-10	70-19929-10	70-19929-10	70-19929-10	
22	Stk,1	Blower Motor - ECM (See Note 1)	51-102601-01	51-102602-01	51-102602-01	51-102603-01	51-102603-01	
	Stk,1	ECM Motor Module - U.S. Motors PerfectSpeed (See Note 1)	51-104362-04	51-104362-03	51-104362-03	51-104362-02	51-104362-02	
	Stk,1	ECM Motor Module - Genteq ECM 3.0 (See Note 1)	51-103225-01	51-103226-01	51-103226-01	51-103224-01	51-103224-01	
		Wiring Harness - Indoor Blower Motor	See Electrical Group					
23		Mounting Bracket Cover	AE-101797-01	AE-101797-01	AE-101797-01	AE-101797-01	AE-101797-01	

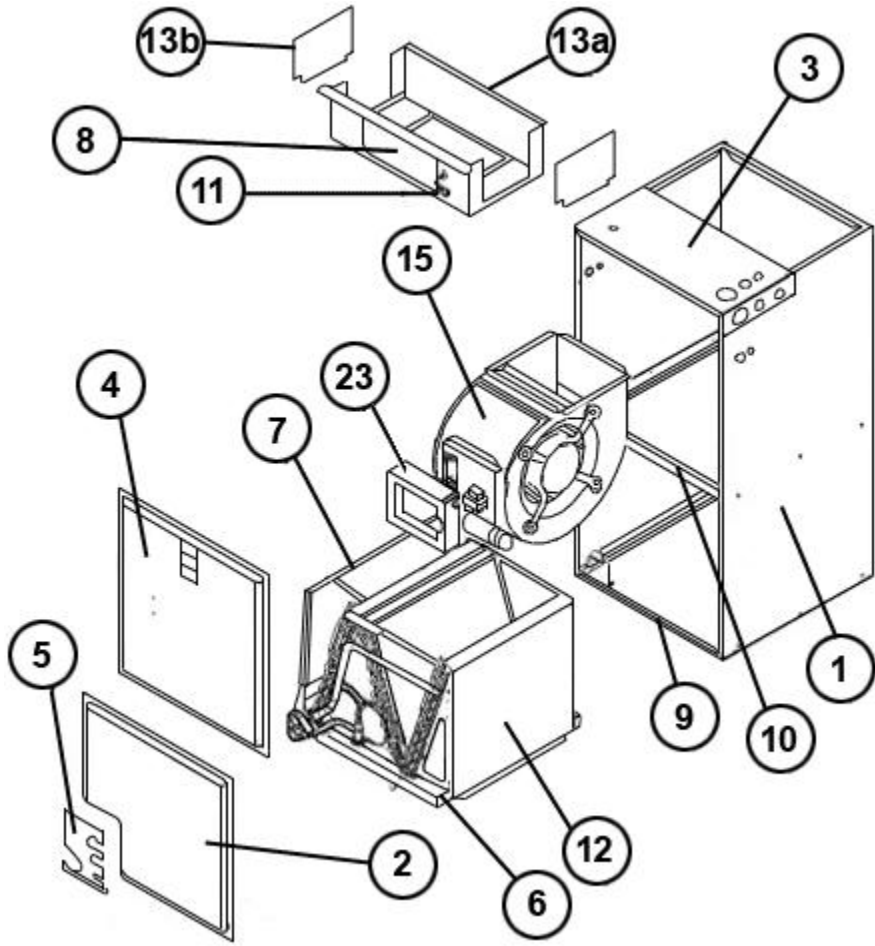
No.	Notes	MODEL CAPACITY CABINET SIZE VOLTAGE VARIATION	RHPL	RHPL	RHPL	RHPL		
			24	36	48	60		
			21	21	24	24		
			J	J	J	J		
			A	A	A	A		
BLOWER GROUP								
15	Stk	Blower Assembly (Includes items 16-22)	AS-101885-05	AS-101885-06	AS-101885-07	AS-101885-08		
16		Mounting Bracket - Control Board	AE-101049-01	AE-101049-01	AE-101049-01	AE-101049-01		
17		Transformer	See Electrical Group					
18		Control Board - ECM	See Electrical Group					
19		Blower Housing w/Wheel	70-101729-02	70-101729-02	70-101729-04	70-101729-04		
	Stk	Blower Wheel	703014	703014	703015	703015		
20		Motor Mount - Band	70-19927-04	70-19927-04	70-19927-04	70-19927-04		
21		Motor Mount - Arm (4)	70-19929-10	70-19929-10	70-19929-10	70-19929-10		
22	Stk	Blower Motor - ECM (Includes Motor and Module)	51-24373-09	51-24374-25	51-24375-18	51-24375-19		
	Stk	ECM Motor Module	51-24381-97	51-24382-105	51-24384-108	51-24384-98		
		Wiring Harness - Indoor Blower Motor	See Electrical Group					
23		Mounting Bracket Cover	AE-101797-01	AE-101797-01	AE-101797-01	AE-101797-01		

No.	Notes	MODEL	RHPL	RHPL	RHPL	RHPL	RHPL
		CAPACITY	24	24	36	36	38
		CABINET SIZE	21	21	21	21	21
		VOLTAGE	J	J	J	J	J
		VARIATION	A	C	A	C	C
ELECTRICAL GROUP							
17	Stk	Transformer	46-101944-03	46-101944-03	46-101944-03	46-101944-03	46-101944-03
18	Stk	Control Board - ECM	47-102077-03	47-102606-00	47-102077-03	47-102606-00	47-102606-01
		Control - Identity EEPROM (Before W0111)	N/A	47-102738-34	N/A	47-102738-35	N/A
		Control - Identity EEPROM (On or After W0111)	N/A	47-102738-42	N/A	47-102738-43	47-102738-50
		Wiring Harness - 5 pin to 3 terminals (2 straight/1 ring), 3 wires from plug	45-24258-16	45-24258-16	45-24258-16	45-24258-16	45-24258-16
		Wiring Harness - 9 pin to 9 strip leads (For T-Stat)	45-101891-02	N/A	45-101891-02	N/A	N/A
		Wiring Harness - 16 pin to 16 pin (Indoor Blower Motor)	45-24258-14	N/A	45-24258-14	N/A	N/A
		Wiring Harness - 4 pin to 4 pin (Indoor Blower Motor)	N/A	45-24258-25	N/A	45-24258-25	45-24258-25
		Wiring Harness - 11 pin to 11 strip leads (T-stat)	N/A	45-101891-04	N/A	45-101891-04	45-101891-04
11		Terminal Block	45-23222-02	45-23222-02	45-23222-02	45-23222-02	45-23222-02

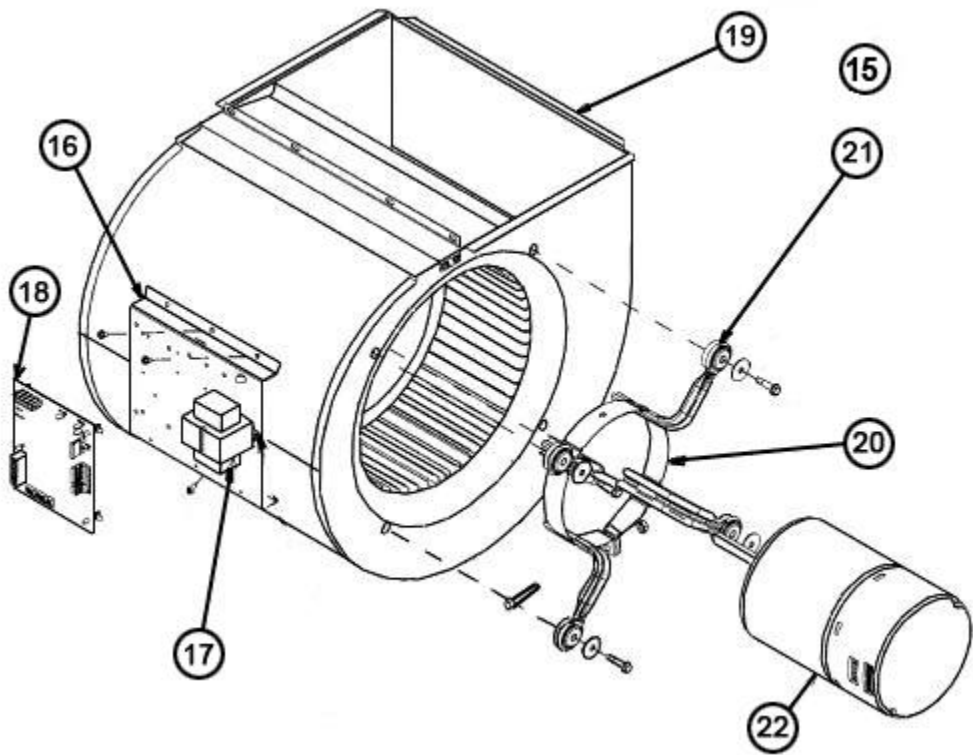
No.	Notes	MODEL	RHPL	RHPL	RHPL	RHPL	
		CAPACITY	48	48	60	60	
		CABINET SIZE	24	24	24	24	
		VOLTAGE	J	J	J	J	
		VARIATION	A	C	A	C	
ELECTRICAL GROUP							
17	Stk	Transformer	46-101944-03	46-101944-03	46-101944-03	46-101944-03	
18	Stk	Control Board - ECM	47-102077-03	47-102606-00	47-102077-03	47-102606-00	
		Control - Identity EEPROM (Before W0111)	N/A	47-102738-36	N/A	47-102738-37	
		Control - Identity EEPROM (On or After W0111)	N/A	47-102738-44	N/A	47-102738-45	
		Wiring Harness - 5 pin to 3 terminals (2 straight/1 ring), 3 wires from plug	45-24258-16	45-24258-16	45-24258-16	45-24258-16	
		Wiring Harness - 9 pin to 9 strip leads (For T-Stat)	45-101891-02	N/A	45-101891-02	N/A	
		Wiring Harness - 16 pin to 16 pin (Indoor Blower Motor)	45-24258-14	N/A	45-24258-14	N/A	
		Wiring Harness - 4 pin to 4 pin (Indoor Blower Motor)	N/A	45-24258-25	N/A	45-24258-25	
		Wiring Harness - 11 pin to 11 strip leads (T-stat)	N/A	45-101891-04	N/A	45-101891-04	
11		Terminal Block	45-23222-02	45-23222-02	45-23222-02	45-23222-02	

No.	Notes	MODEL CAPACITY CABINET SIZE VOLTAGE	RHPL 24 21 J	RHPL 36 21 J	RHPL 38 21 J	RHPL 48 24 J	RHPL 60 24 J	
COIL GROUP								
12		Replacement Coil w/TXV - Before Date Code Shown	RCSM-HM2421AU (4009)	RCSM-HM3621AU (0809)	N/A	RCSM-HM4824AU (2309)	RCSM-HM6024AU (4109)	
12		Replacement Coil w/TXV - During Date Code Shown	RCSM-HM2421CU (4009 - 2710)	RCSM-HU3621CU (0809 - 2311)	N/A	RCSM-HM4824CU (2309 - 2311)	RCSM-HM6024CU (4109 - 2311)	
12		Replacement Coil w/TXV - On or After Date Code Shown	RCSL-HM2621CU (2710)	RCSL-HU3621CU (2311)	RCSL-HM3821CU (N/A)	RCSL-HU4824CU (2311)	RCSL-HU6024CU (2311)	
		Drain Pan	See specified RCSM Coil Parts List					
		TXV	See specified RCSM Coil Parts List					

No.	Notes	MODEL CAPACITY CABINET SIZE VOLTAGE	RHPL 24 21 J	RHPL 36 21 J	RHPL 38 21 J	RHPL 48 24 J	RHPL 60 24 J
HEATER KITS							
		Heater Kit - 5kW	RXBH-24A05J RXBH-1724A05J RXBH-1724B05J RXBH-1724C05J	RXBH-24A05J RXBH-1724A05J RXBH-1724B05J RXBH-1724C05J	RXBH-24A05J RXBH-1724A05J RXBH-1724B05J RXBH-1724C05J	RXBH-24A05J RXBH-1724A05J RXBH-1724B05J RXBH-1724C05J	RXBH-24A05J RXBH-1724A05J RXBH-1724B05J RXBH-1724C05J
		Heater Kit - 7kW	RXBH-24A07J RXBH-1724A07J RXBH-1724B07J RXBH-1724C07J	RXBH-24A07J RXBH-1724A07J RXBH-1724B07J RXBH-1724C07J	RXBH-24A07J RXBH-1724A07J RXBH-1724B07J RXBH-1724C07J	RXBH-24A07J RXBH-1724A07J RXBH-1724B07J RXBH-1724C07J	RXBH-24A07J RXBH-1724A07J RXBH-1724B07J RXBH-1724C07J
		Heater Kit - 10kW	RXBH-24A10J RXBH-1724A10J RXBH-1724B10J RXBH-1724C10J	RXBH-24A10J RXBH-1724A10J RXBH-1724B10J RXBH-1724C10J	RXBH-24A10J RXBH-1724A10J RXBH-1724B10J RXBH-1724C10J	RXBH-24A10J RXBH-1724A10J RXBH-1724B10J RXBH-1724C10J	RXBH-24A10J RXBH-1724A10J RXBH-1724B10J RXBH-1724C10J
		Heater Kit - 15kW		RXBH-24A15J RXBH-1724A15J	RXBH-24A15J RXBH-1724A15J	RXBH-24A15J RXBH-1724A15J	RXBH-24A15J RXBH-1724A15J
		Heater Kit - 18kW		RXBH-24A18J RXBH-1724A18J	RXBH-24A18J RXBH-1724A18J	RXBH-24A18J RXBH-1724A18J	RXBH-24A18J RXBH-1724A18J
		Heater Kit - 20kW				RXBH-24A20J	RXBH-24A20J
		Heater Kit - 25kW				RXBH-24A25J	RXBH-24A25J
		Heater Kit - 30kW					RXBH-24A30J



Exploded View



Blower Assembly