



RCCL

Parts List
23-August-2017



*This parts list is current as of the above revision date.
See <http://www.rheempartslists.net/92-42800-RCCL.pdf> for the current revision.*

Coils - Commercial

Table of Contents

Model Explanation	Page 3
Parts Numbers	
Replacement Parts	Page 4
Drawings/Photographs	
Coil Assembly	Page 5
Notes/Disclaimer	Page 6

MODEL NUMBER EXPLANATION

R	C	C	L	-	D	50	13	S
1	2	3	4		5	6	7	8

- | | | | |
|---|--|---|---|
| 1 | TRADE BRAND IDENTIFICATION
R = Rheem/Ruud | 7 | COOLING CAPACITY
13 = 120,000 BTU/HR (Grooved Tube) |
| 2 | COILS | 8 | SWEAT |
| 3 | TYPE
C = Cased Coil - Standard | | |
| 4 | L = Upflow, R-410A | | |
| 5 | D = Manufactured by Rheem (Serial Numbers FXXXXxxxx)
D = Sourced (Serial Numbers AXXXXxxxx) | | |
| 6 | PLENUM WIDTH
50 = 50-1/2 in. | | |

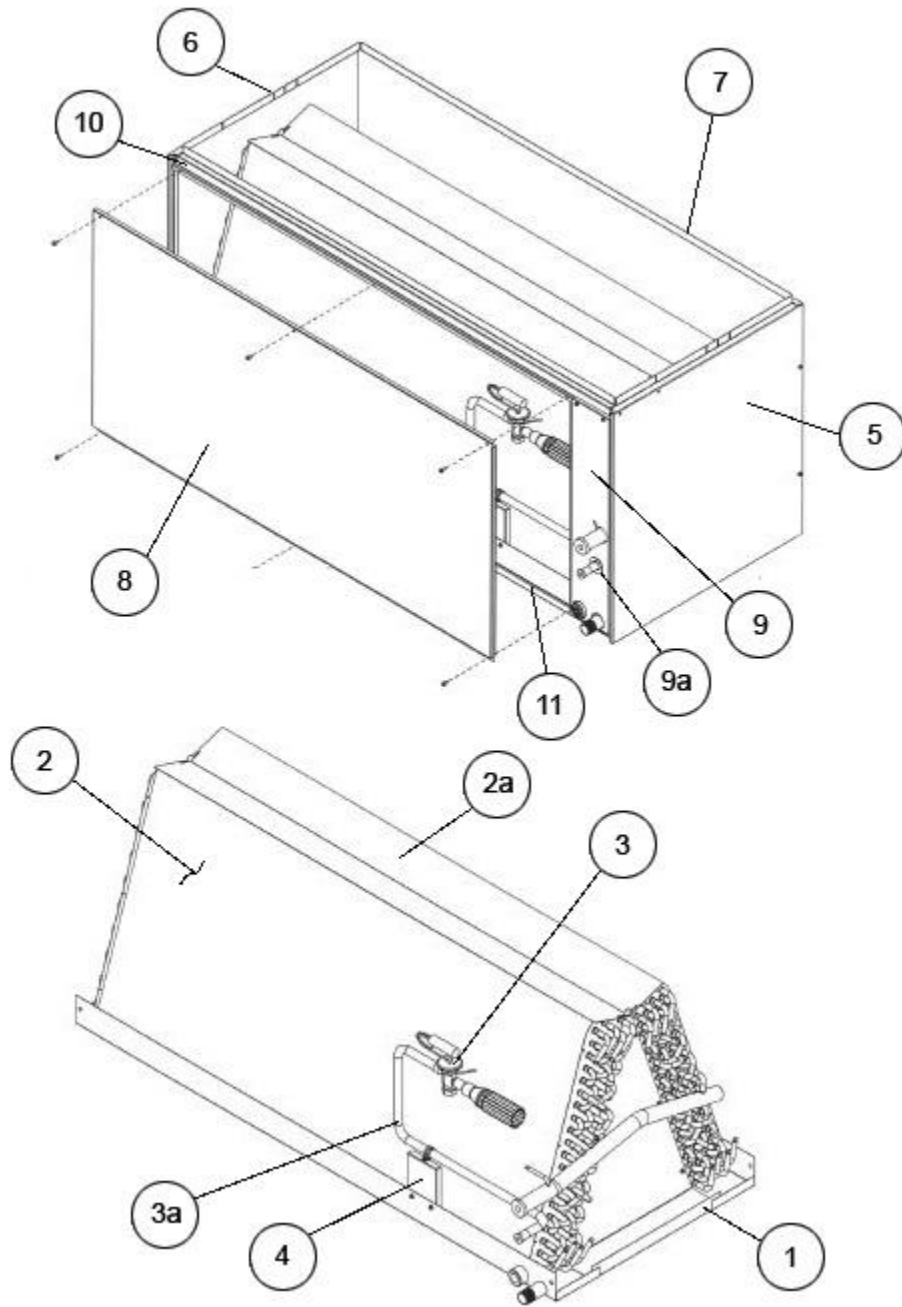
SERIAL NUMBER EXPLANATION (Units Produced with serial number FXXXXxxxx)

F	0	8	1	7	9	9	9	9
(1)	(2)		(3)		(4)			

- (1) **PLANT CODE**
F = Fort Smith, AR
A = Sourced
- (2) **WEEK OF PRODUCTION**
- (3) **YEAR OF PRODUCTION**
- (4) **PRODUCTION NUMBER**

No.	Notes	MODEL TYPE PLENUM WIDTH CAPACITY	RCCL D 50 13
DRAIN PAN SECTION - Serial Number AXXXXxxx			
	Stk	Drain Pan	686047
METERING SECTION - Serial Number AXXXXxxx			
	Stk	Expansion Valve	611039
	Stk	Strainer	83-41419-02

No.	Notes	MODEL TYPE PLENUM WIDTH CAPACITY	RCCL D 50 13
COIL/DRAIN PAN SECTION - Serial Number FXXXXxxx			
1	Stk	Drain Pan Assembly (includes End Plates)	AS-90953-01
2		Coil Assembly (includes Drain Pan Assy & TXV/Distributor Assembly)	AS-90912-01
2a		Air Baffle	AE-90957-01
METERING SECTION - Serial Number FXXXXxxx			
3	Stk	TXV/Distributor Assembly	61-42662-27
3a		Liquid Line	82-105329-01
4		Support Plate - Liquid Line	AE-53516-02
PANELS - Serial Number FXXXXxxx			
5		Right Side Panel	AS-84755-02
6		Left Side Panel	AS-84754-02
7		Back Panel	AS-84758-06
8		Front Access Panel	AS-84765-06
9		Tubing Panel Assembly	AS-90968-01
9a		Grommet	56-22521-03
10		Case Top Cover Support	AE-76720-01
11		Case Bottom Channel	AE-76714-01



Coil Assembly

NOTES

Stk It is recommended that stock be maintained for this part.
N/A Not Applicable

DISCLAIMER: This document is intended to provide general replacement parts information to aid qualified service personnel in the repair of these models. The complete Model and Serial Number of the unit under repair should be specified when selecting and ordering replacement parts. Specifications and illustrations are subject to change without notice. Document 92-42800-RCCL supersedes all previous parts lists for these models. See <http://www.rheempartslists.net/92-42800-RCCL> for the latest revision of this document. The manufacturer assumes no obligation for errors or omissions. Service personnel must verify the proper and safe operation of equipment after the replacement of any original components.