



The new degree of comfort.™

Rheem High Efficiency Modulating EcoNet Enabled Air Handler

RHMV- Series

Constant CFM Motor (ECM)
Electronic Expansion Valve (EEV)
Efficiencies up to 20.5 SEER



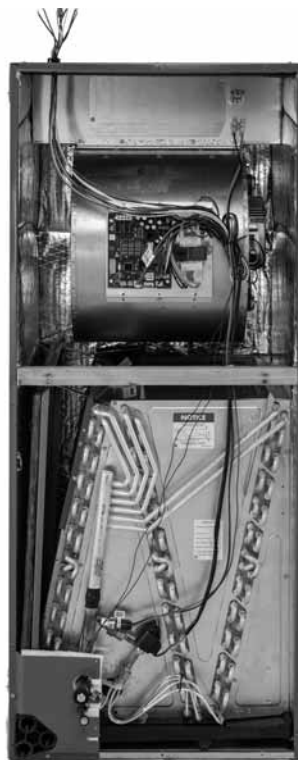
- The RHMV is EcoNet Enabled: This allows the RHMV to directly communicate with the EcoNet Smart Home System.
- The RHMV features an Electronic Expansion Valve (EEV)
- Features a constant CFM variable speed motor (ECM) which provides enhanced SEER performance. The RHMV is rated with RA17, RA20 air conditioners and RP17, RP20 heat pumps.
- Evaporator is constructed of aluminum fins bonded to internally grooved aluminum tubing.
- Versatile 4-way convertible design for upflow, downflow, horizontal left and horizontal right applications.
- Factory-installed indoor coil.
- Sturdy cabinet construction with 1.0 inch [25.4 mm] of foil faced insulation for excellent sound and insulating characteristics.
- Field-installed auxiliary electric heater kits provide exact heat for indoor comfort. Kits include circuit breakers which meet U.L. and cUL requirements for service disconnect.
- 1¹/₂ ton [5.3 kW] through 5 ton [17.6 kW] models are between 42¹/₂ to 57 inches [1080 to 1448 mm] tall and 22 inches [559 mm] deep.
- All models meet or exceed 330 to 400 CFM [156 to 189 L/s] per ton at .3 inches [.7 kPa] of external static pressure.
- Enhanced airflow up to .7" external static pressure.
- Suitable for application in mobile homes.
- Cabinet air leakage less than 2.0% at 1.0 inch H₂O when tested in accordance with ASHRAE Standard 193.

Engineering Features

RHMV- Series

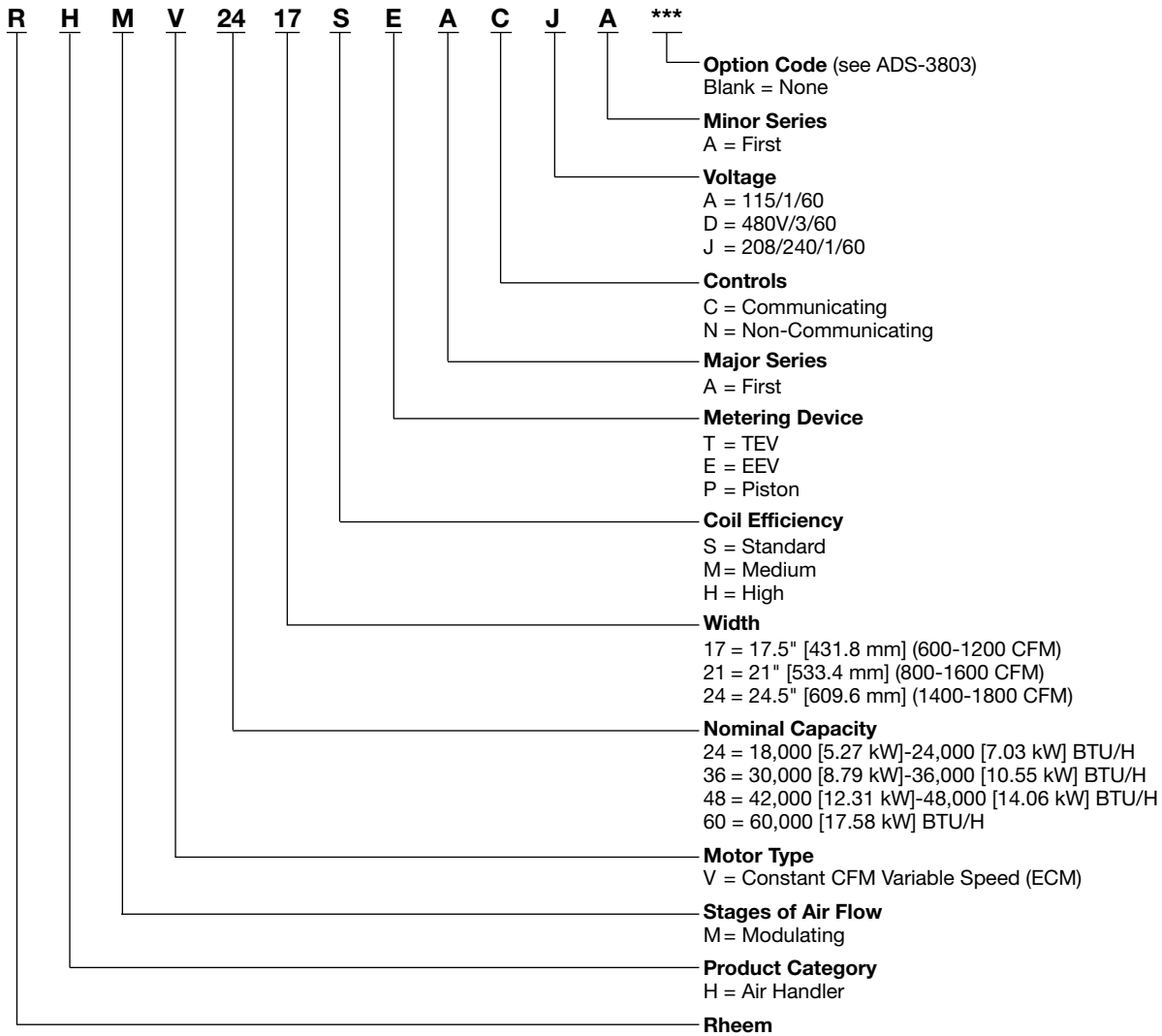
- Equipped standard with an EcoNet Air Handler control board that allows it to directly communicate with the EcoNet Control Center. The EcoNet Control Center serves as the hub of communication for a home's Heating, Cooling, and Water Heating systems, and is required to operate an EcoNet Enabled Heating and Cooling system in fully communicating mode. An EcoNet WiFi kit can be added to the EcoNet network and will use the homeowner's wireless network and broadband Internet connection to enable remote operation of EcoNet Enabled equipment from the mobile-friendly web portal or mobile apps.
- Equipped with an electronic expansion valve (EEV), which can intelligently change the EEV position based on system demands. By the measurement of the suction pressure via the vapor line pressure transducer (factory installed) and the vapor line thermistor (field connected to the vapor line, but factory provided within the air handler) the EcoNet enabled air handler control calculates the suction superheat at the indoor coil. This calculation permits the air handler control to make decisions for when to open and close the EEV for the purpose of maintaining a predetermined suction superheat. The EEV is equipped with a 4-pole removable external stator, and inlet and outlet chatleff fittings for optimal serviceability. These valves also have an internal check valve to provide heat pump compatibility. When operating in heating mode, the air handler control will open the EEV completely to permit the check valve to operate and maximize reverse refrigerant flow.
- The most compact unit design available, all standard heat air handler models only 42 1/2 to 57 inches [1079 to 1448 mm] high.
- Attractive pre-painted cabinet exterior.
- Rugged wall steel cabinet construction, designed for added strength and versatility.
- 1.0" foil faced insulation mechanically retained in blower compartment for excellent thermal and sound performance.
- Four leg blower motor mount.
- Blower housing with controls, motor and blower. Slide out design for service and maintenance convenience.
- Traditional open wire element design for heat applications.
- Field convertible for vertical downflow, horizontal left hand or right hand air supply.
- 3 combustible floor base accessories fit all model sizes when required for downflow installations on combustible floors.
- Indoor coil design provides low air side pressure drop, high performance and extremely compact size.
- Coils are constructed of aluminum fins bonded to internally grooved aluminum tubing.
- Coils are tested at the factory with an extensive refrigerant leak check.
- Coils have copper sweat refrigerant connections.
- Coils utilize chatleff metering device connections.
- Molded polymer corrosion resistant condensate drain pan is provided on all indoor coils.
- Supply duct flanges provided as standard on air handler cabinet.
- Provisions for field electrical, connections available from either side or top of the air handler cabinet.
- Connection point for high voltage wiring is inside the air handler cabinet. Low voltage connection is made on the outside of the air handler cabinet.
- Concentric knockouts are provided for power connection to cabinet. Installer may pull desired hole size up to 2 inches [51 mm] for 1 1/2 inch [38 mm] conduit.
- Front refrigerant and drain connections.

[] Designates Metric Conversions





Air



[] Designates Metric Conversions

Available Models at J Voltage
RHMV2417SEACJA
RHMV2421MEACJA
RHMV2421HEACJA
RHMV3617SEACJA
RHMV6021SEACJA
RHMV6024MEACJA

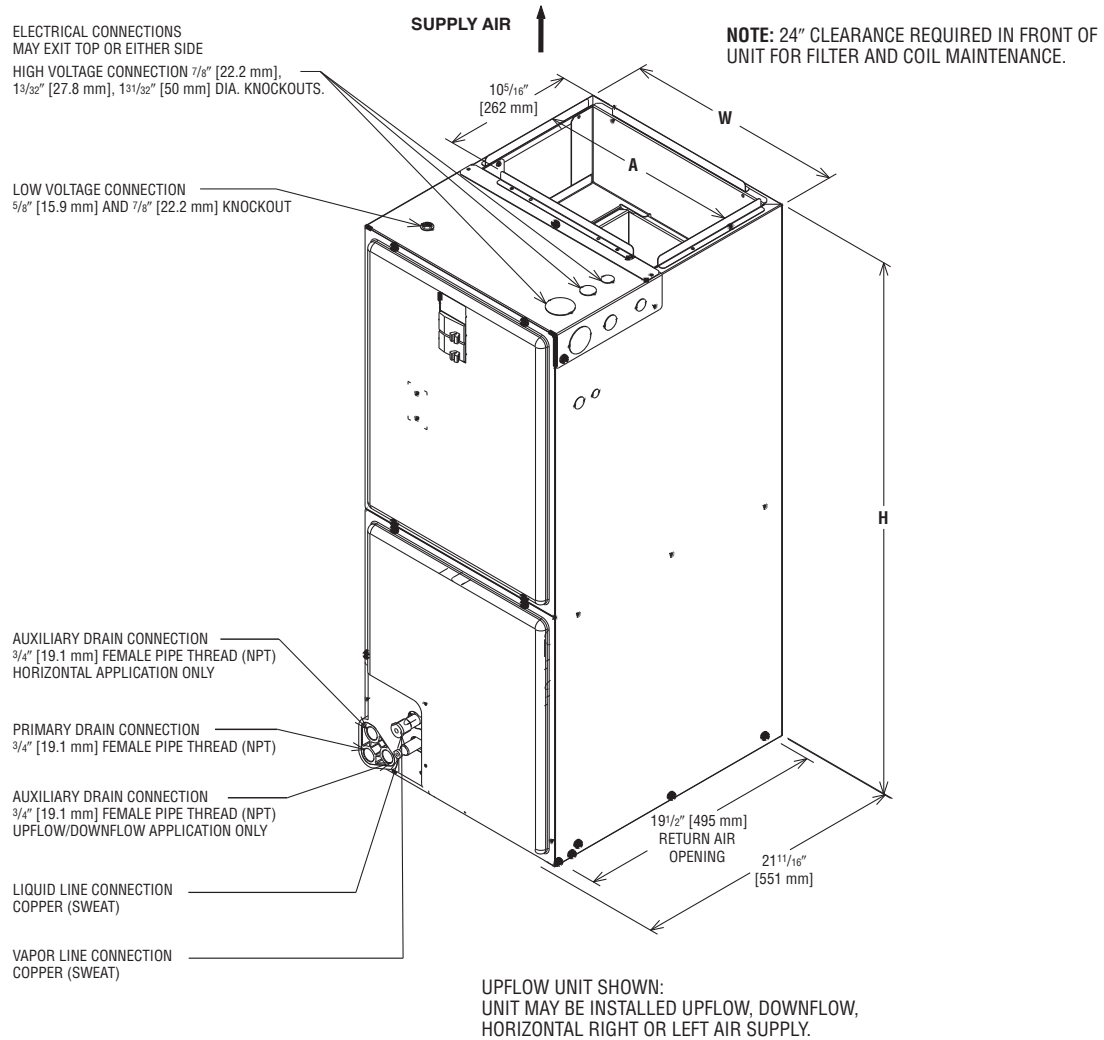


Unit Dimensions

Return Air Opening Dimensions

Model Cabinet Size	Return Air Opening Width (Inches)	Return Air Opening Depth/Length (Inches)
17	15 ⁷ / ₈	19 ³ / ₄
21	19 ³ / ₈	19 ³ / ₄
24	22 ⁷ / ₈	19 ³ / ₄

[] Designates Metric Conversions



Unit Dimensions & Weights

Model Size RHMV	Refrigerant Connections Sweat (In.) [mm] ID		Unit Height H In. [mm]	Unit Width W In. [mm]	Supply Duct A In. [mm]	Air Flow CFM (Nom.) [L/s]			Unit Weight/Shipping Weight (Lbs.) [kg] Unit With Coil (Max. KW)
	Liquid	Vapor				Fan	Lo	Hi	
2417SE	3/8 [9.53]	3/4 [19.05]	42 ¹ / ₂ [1080]	17 ¹ / ₂ [444.5]	16 [406.4]	550	550	750	92/106 [42/48]
2421ME	3/8 [9.53]	3/4 [19.05]	42 ¹ / ₂ [1080]	21 [533.4]	19 ¹ / ₂ [495.3]	310	460	835	111/126 [50/57]
2421HE	3/8 [9.53]	7/8 [22.23]	55 ¹ / ₂ [1410]	21 [533.4]	19 ¹ / ₂ [495.3]	325	580	850	130/146 [59/66]
3617SE	3/8 [9.53]	3/4 [19.05]	42 ¹ / ₂ [1080]	17 ¹ / ₂ [444.5]	16 [406.4]	660	660	1235	96/110 [44/50]
6021SE	3/8 [9.53]	7/8 [22.23]	57 [1448]	21 [533.4]	19 ¹ / ₂ [495.3]	480	830	1565	141/153 [64/69]
6024ME	3/8 [9.53]	7/8 [22.23]	55 ¹ / ₂ [1410]	24 ¹ / ₂ [622.3]	23 [584.0]	555	890	1665	161/178 [73/81]

*Maximum dehumidification airflow.

Unit Dimensions

FIGURE 6
VERTICAL DOWNFLOW & HORIZONTAL RIGHT APPLICATION

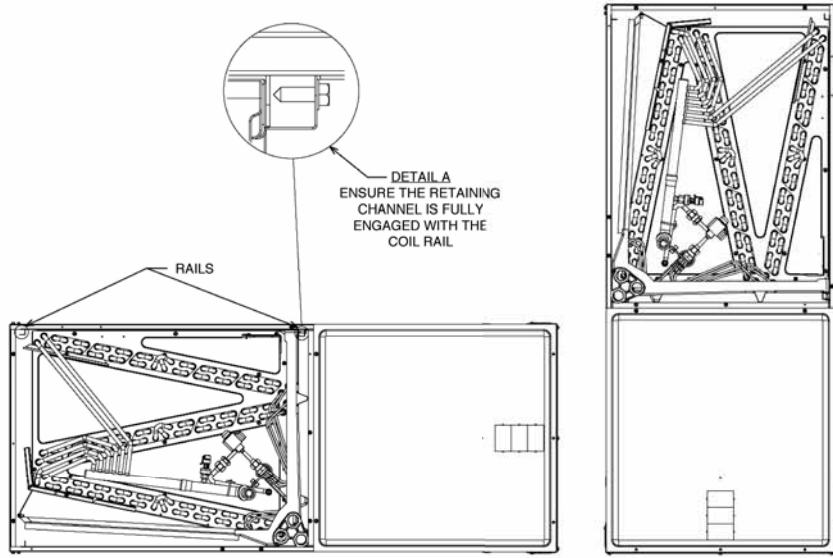
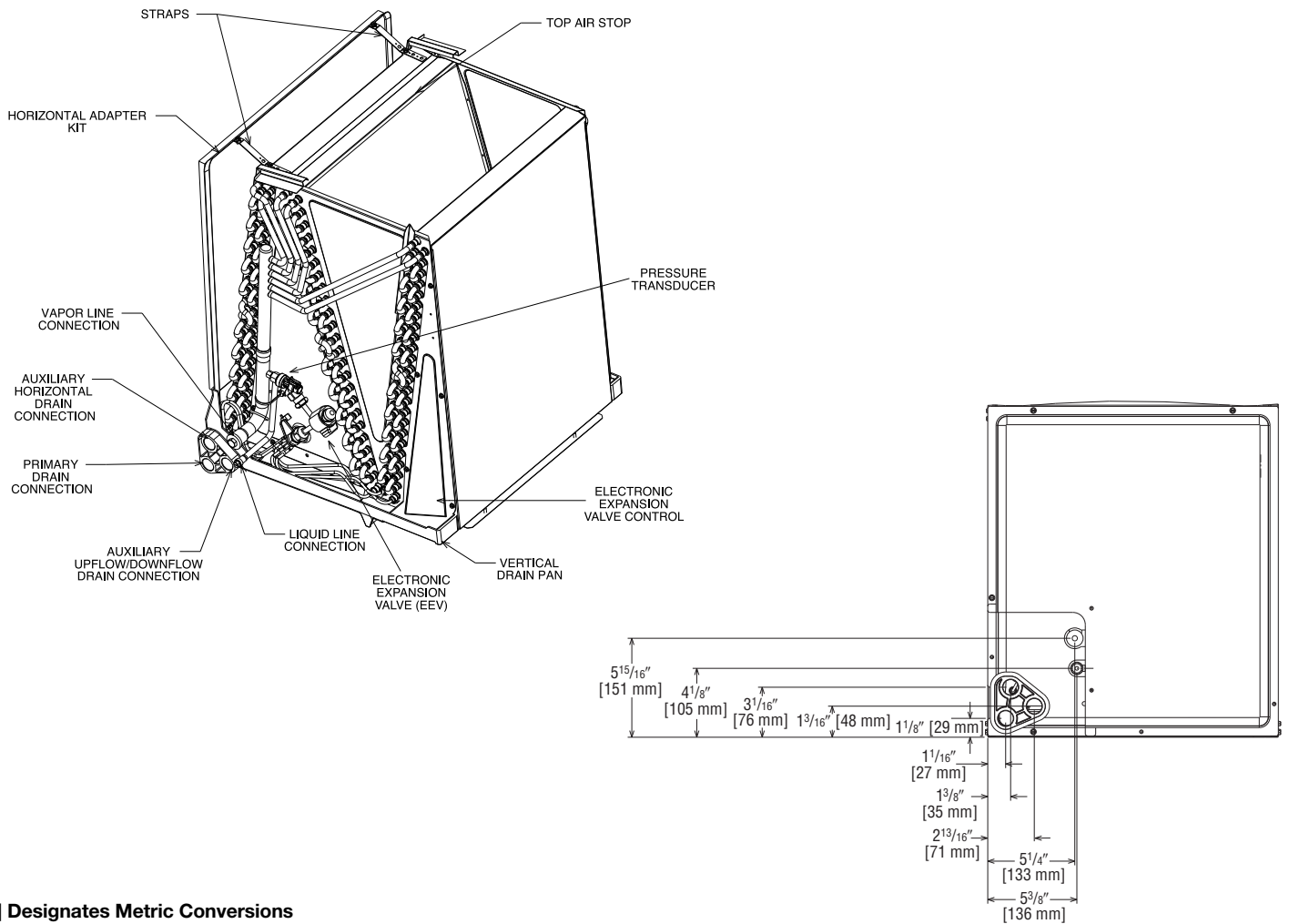
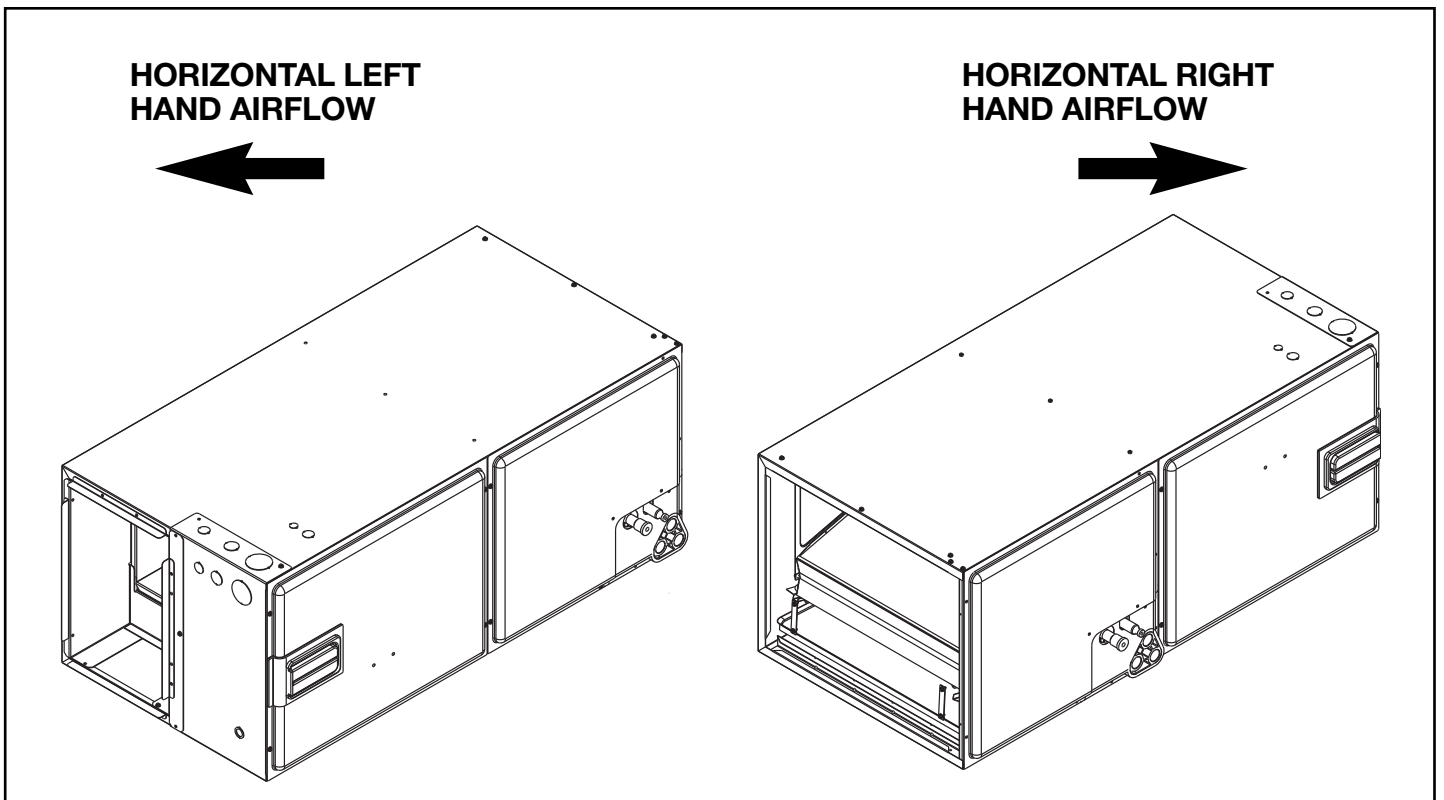
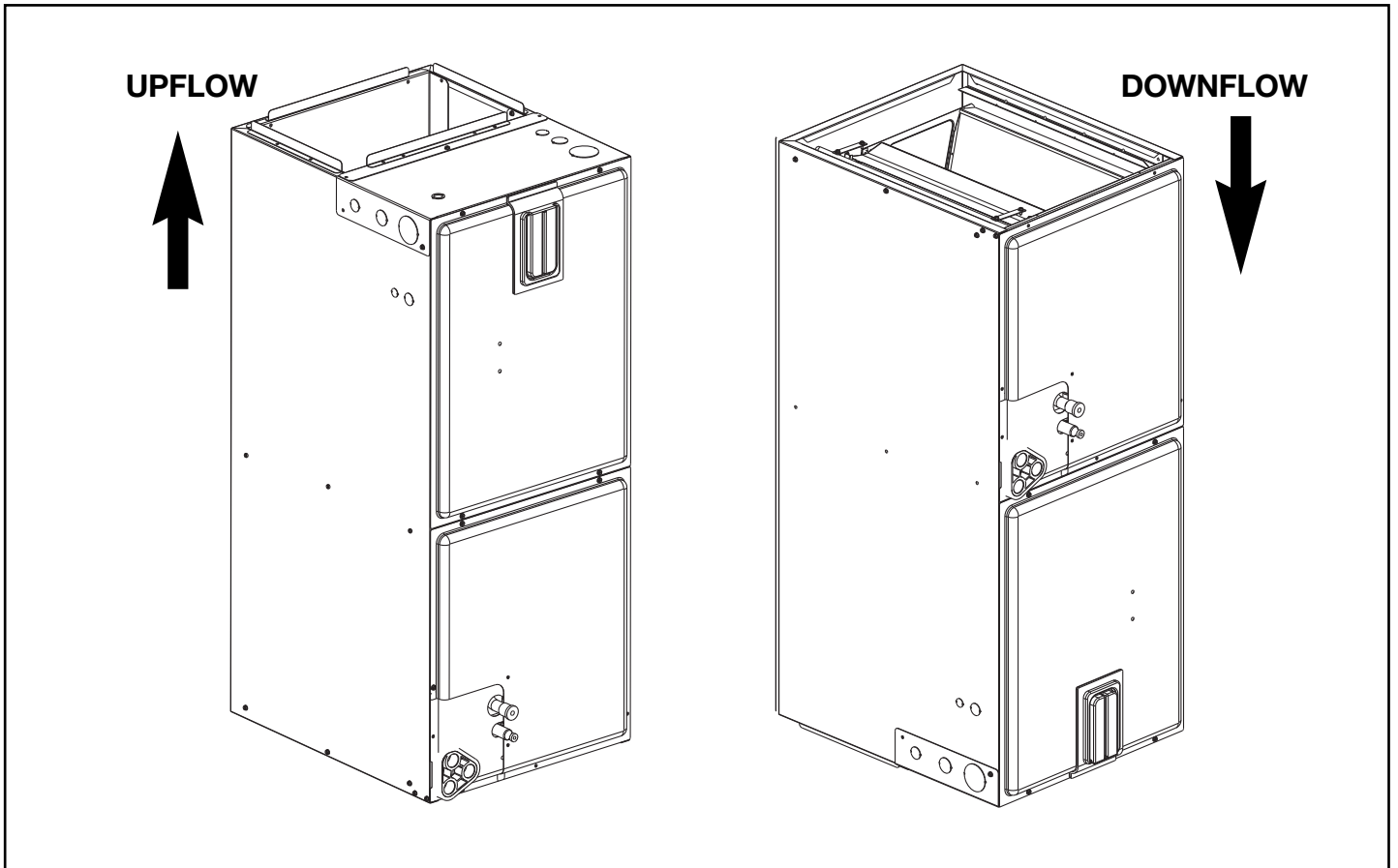


FIGURE 7
INDOOR COIL AND DRAIN PAN SET-UP



[] Designates Metric Conversions

Airflow Directional Data



Airflow Performance

Airflow performance data is based on cooling performance with a coil and no filter in place. Select performance table for appropriate unit size, voltage and number of electric heaters to be used. Make sure external static applied to unit allows operation within the minimum and maximum limits shown in table

below for both cooling and electric heat operation. For optimum blower performance, operate the unit in the .3 [8 mm] to .7 inches [18 mm] W.C. external static range. Units with coils should be applied with a minimum of .1 inch [3 mm] W.C. external static range.

Airflow Operating Limits

Model Cabinet Width	17/21	17/21	21	24
Cooling BTUH x 1,000	-24	-36	-48/-60	-60
Cooling Tons Nominal	2	3	4	5
Heat Pump or Air Conditioning Maximum Heat/Cool CFM [L/s] (37.5 CFM [18 L/s]/1,000 BTUH) (450 CFM [212 L/s]/Ton Nominal)	900 [425]	1350 [637]	1800 [850]	1930 [911]
Heat Pump or Air Conditioning Nominal Heat/Cool CFM [L/s] (33.3 CFM [16 L/s]/1,000 BTUH) (400 CFM [189 L/s]/Ton Nominal)	800 [378]	1200 [566]	1600 [755]	1800 [850]
Heat Pump or Air Conditioning Minimum Heat/Cool CFM [L/s] (30.0 CFM [14 L/s]/1,200 BTUH) (360 CFM [170 L/s]/Ton Nominal)	720 [340]	1080 [510]	1440 [680]	1620 [765]
Maximum kW Electric Heating & Minimum Electric Heat CFM [L/s]	13 617 [291]	18 1054 [497]	25 1502 [709]	30 1666 [786]
Maximum Electric Heat Rise °F [°C]	63 [17.2]	51 [10.6]	50 [10]	54 [12.2]

[] Designates Metric Conversions



Air

Airflow Performance Data
RHMV Series

208V/240V Airflow Performance Data—RHMV (Constant CFM (ECM) Motor)

Air Handler (-)RHMV	Outdoor Unit	Nominal Cooling Capacity Tons	Cabinet Size	Blower		Nominal Airflow CFM**	CFM [L/s] Air Delivery / RPM / Watts (No Filter)												
				Size Motor HP	Unit Operation		External Static Pressure - Inches W.C. [kPa] 230 VAC												
							0.1 [.02]	0.2 [.05]	0.3 [.07]	0.4 [.10]	0.5 [.12]	0.6 [.15]	0.7 [.17]	0.8 [.20]	0.9 [.22]	1.0 [.25]			
RHMV 2417SE No Heat	(-)P1724	2	17	10 x 8 1/3	High Stage (Y2)	750	751 [354]	760 [359]	765 [361]	767 [362]	797	862	923	980	1032	1078	1120		
						76	94	111	129	146	163	181	198	216	233				
						554 [262]	552 [261]	548 [259]	544 [257]	538 [254]	532 [251]	526 [248]	521 [246]	516 [244]	513 [242]				
						498	587	671	750	821	888	949	1004	1054	1097				
						49	60	73	86	99	113	127	142	158	174				
RHMV 2421ME with 13kW Heater	(-)P1724	2	17	10 x 8 1/3	Int. Stage (Y1*)	540	554 [262]	552 [261]	548 [259]	544 [257]	750	821	888	949	1004	1054	1097		
						49	60	73	86	99	113	127	142	158	174				
						756 [357]	763 [360]	766 [362]	767 [362]	765 [361]	762 [359]	756 [357]	749 [353]	741 [349]	732 [345]				
						609	690	763	831	894	952	1006	1056	1100	1139				
						85	103	120	137	155	172	190	207	224	242				
RHMV 2421ME with 13kW Heater	(-)P1724	2	17	10 x 8 1/3	Int. Stage (Y1*)	540	553 [261]	550 [260]	546 [258]	541 [255]	787	855	920	977	1030	1076	1117		
						55	67	79	92	106	120	135	150	166	182				
						859 [405]	873 [412]	882 [416]	887 [419]	889 [419]	888 [419]	885 [418]	881 [416]	877 [414]	874 [413]				
						554	634	706	776	841	900	955	1004	1049	1088				
						85	106	126	146	167	187	208	228	249	269				
RHMV 2421ME No Heat	(-)A2024	2	21	10 x 8 1/3	Int. Stage (Y1*)	460	441 [208]	453 [214]	464 [219]	472 [223]	929	1012	1084	1151	1204	1251	1287		
						90	101	113	125	137	149	162	174	187	201				
						291 [137]	303 [143]	314 [148]	322 [152]	329 [155]	332 [157]	334 [157]	332 [157]	327 [154]	319 [150]				
						381	492	593	686	769	841	907	961	1008	1044				
						21	33	44	56	68	80	93	105	119	132				
RHMV 2421ME with 13kW Heater	(-)A2024	2	21	10 x 8 1/3	High Stage (Y2)	835	867 [409]	878 [415]	885 [418]	888 [419]	888 [419]	886 [418]	883 [417]	879 [415]	876 [413]	874 [412]			
						594	672	742	809	872	928	981	1027	1069	1106				
						95	116	136	156	177	197	218	238	259	279				
						447 [211]	459 [217]	468 [221]	476 [225]	481 [227]	483 [228]	483 [228]	480 [226]	473 [223]	463 [219]				
						681	787	884	972	1050	1118	1179	1228	1270	1302				
RHMV 2421ME with 13kW Heater	(-)A2024	2	21	10 x 8 1/3	Int. Stage (Y1*)	460	297 [140]	309 [146]	318 [150]	326 [154]	331 [156]	333 [157]	333 [157]	330 [156]	323 [153]	313 [148]			
						438	544	641	728	807	874	936	985	1027	1059				
						27	38	50	62	74	86	99	112	125	139				
						859 [405]	873 [412]	882 [416]	887 [419]	889 [419]	888 [419]	885 [418]	881 [416]	877 [414]	874 [413]				
						554	634	706	776	841	900	955	1004	1049	1088				

[] Designates Metric Conversions



INTEGRATED HOME COMFORT



208V/240V Airflow Performance Data—RHMV (Constant CFM (ECM) Motor) (Cont.)

Air Handler (-)HMV	Outdoor Unit	Nominal Cooling Capacity Tons	Cabinet Size	Blower		Nominal Airflow CFM**	CFM [L/s] Air Delivery / RPM / Watts (No Filter)									
				Size Motor HP	Unit Operation		External Static Pressure - Inches W.C. [kPa]									
							0.1 [.02]	0.2 [.05]	0.3 [.07]	0.4 [1.10]	0.5 [1.12]	0.6 [1.15]	0.7 [1.17]	0.8 [1.20]	0.9 [1.22]	1.0 [1.25]
RHMV 2421HE No Heat (-)P2024		2	21	10 x 10 1/2	High Stage (Y2)	855	861 [406]	872 [411]	876 [413]	875 [413]	870 [410]	860 [406]	846 [399]	830 [392]	811 [383]	790 [373]
						855	485	568	649	943	927	941	996	1045	1082	
						855	928	938	943	936	927	913	897	878	856	
						580	615 [290]	626 [296]	629 [297]	625 [295]	616 [291]	602 [284]	588 [277]	570 [269]	554 [261]	540 [255]
						580	414	548	657	739	806	861	907	955	1005	1064
						580	31	53	74	93	110	127	143	160	177	194
						325	344 [162]	334 [158]	325 [153]	315 [148]	305 [144]	295 [139]	285 [135]	276 [130]	268 [127]	262 [123]
						325	430	539	633	715	785	851	911	966	1020	1074
						825	837 [395]	855 [403]	860 [406]	857 [404]	846 [399]	830 [392]	813 [384]	795 [375]	781 [369]	772 [364]
						825	517	622	714	798	872	941	996	1047	1088	1122
						825	819	837	843	839	829	812	796	778	764	755
						RHMV 2421HE with 13kW Heater (-)P2024		2	21	10 x 10 1/2	Int. Stage (Y1*)	665	688 [325]	703 [332]	707 [334]	702 [331]
665	428	554	655	739	810							870	920	968	1014	1061
665	34	60	83	104	124							143	160	178	197	216
565	581 [274]	575 [271]	569 [268]	563 [266]	557 [263]							552 [261]	548 [258]	544 [257]	542 [256]	540 [255]
565	620	736	834	916	986							1048	1104	1157	1211	1269
565	88	102	116	129	143							157	171	186	203	222
855	867 [409]	874 [413]	876 [414]	873 [412]	865 [408]							853 [403]	838 [396]	821 [388]	801 [378]	778 [367]
855	525	608	689	766	841							910	971	1021	1064	1096
855	934	941	943	940	932							920	905	888	868	845
580	622 [293]	629 [297]	628 [296]	621 [293]	610 [288]							595 [281]	579 [273]	562 [265]	547 [258]	534 [252]
580	485	604	701	774	834							886	930	979	1033	1098
580	42	64	84	102	119							136	151	168	185	202
RHMV 2421HE with 13kW Heater (-)P2024		2	21	10 x 10 1/2	Low Stage (Y1)	325	339 [160]	330 [156]	320 [151]	310 [146]	300 [142]	290 [137]	281 [132]	272 [129]	265 [125]	258 [122]
						325	486	588	675	752	818	881	939	993	1047	1103
						325	30	41	52	63	75	87	99	112	126	140
						825	847 [400]	859 [405]	859 [406]	852 [402]	839 [396]	821 [388]	804 [379]	787 [372]	776 [366]	770 [363]
						825	571	670	758	837	906	971	1022	1069	1106	1137
						825	830	841	842	835	821	804	787	770	758	753
						665	697 [329]	706 [333]	705 [333]	697 [329]	683 [323]	667 [315]	650 [307]	634 [299]	622 [294]	617 [291]
						665	492	608	700	776	841	896	944	991	1037	1086
						665	47	72	94	114	133	152	169	188	206	226
						565	578 [273]	572 [270]	566 [267]	560 [264]	555 [262]	550 [259]	546 [258]	543 [256]	541 [255]	540 [255]
						565	680	787	877	952	1017	1076	1131	1184	1240	1301
						565	95	109	123	136	149	164	179	195	212	232

[] Designates Metric Conversions





Air

Airflow Performance Data
RHMV Series

208V/240V Airflow Performance Data—RHMV (Constant CFM (ECM) Motor) (Cont.)

Air Handler (-)HMMV	Outdoor Unit	Nominal Cooling Capacity Tons	Cabinet Size	Blower		Nominal Airflow CFM**	CFM [L/s] Air Delivery / RPM / Watts (No Filter)									
				Size Motor HP	Unit Operation		External Static Pressure - Inches W.C. [kPa]									
							230 VAC									
							0.1 [0.02]	0.2 [0.05]	0.3 [0.07]	0.4 [0.10]	0.5 [0.12]	0.6 [0.15]	0.7 [0.17]	0.8 [0.20]	0.9 [0.22]	1.0 [0.25]
RHMV 3617SE No Heat	(-)P1736	3	17	10 x 8 1/3	High Stage (Y2)	1235	1228 [580]	817	871	922	971	1018	1060	1101	1139	1174
							202	231	257	283	308	332	354	376	397	416
							666 [314]	679 [320]	685 [323]	687 [324]	686 [324]	681 [322]	675 [318]	667 [315]	658 [311]	650 [307]
							472	558	629	700	766	828	885	937	984	1028
							44	61	78	96	113	130	148	165	182	200
RHMV 3617SE with 13kW Heater	(-)P1736	3	17	10 x 8 1/3	Int. Stage (Y1*)	660	666 [314]	679 [320]	685 [323]	687 [324]	686 [324]	681 [322]	675 [318]	667 [315]	658 [311]	650 [307]
							472	553	629	700	766	828	885	937	984	1028
							44	61	78	96	113	130	148	165	182	200
							1224 [578]	1221 [576]	1224 [578]	1229 [580]	1233 [582]	1234 [582]	1229 [580]	1215 [574]	1189 [561]	1150 [543]
							787	845	897	947	995	1040	1081	1120	1157	1191
RHMV 6021SE No Heat	(-)P2048 Cool	4	21	10 x 10 1/2	High Stage (Y2)	1660	1655 [781]	1676 [791]	1704 [804]	1739 [821]	1763 [832]	1771 [836]	1748 [825]	1689 [797]	1582 [746]	
							796	872	953	1018	1085	1139	1184	1228	1257	1279
							298	372	449	509	569	615	651	682	698	705
							896 [423]	904 [427]	902 [426]	892 [421]	878 [414]	861 [407]	844 [398]	829 [391]	817 [385]	812 [383]
							588	688	779	860	931	991	1045	1087	1123	1148
RHMV 6021SE No Heat	(-)P2048 Heat	4	21	10 x 10 1/2	Int. Stage (Y1*)	890	104	129	153	175	197	216	235	253	271	287
							644 [304]	632 [298]	622 [294]	611 [289]	601 [284]	589 [278]	574 [271]	554 [262]	530 [250]	499 [236]
							446	536	616	697	765	826	881	929	969	1003
							37	57	76	96	114	131	148	164	179	194
							1576 [744]	1583 [747]	1603 [757]	1641 [774]	1666 [786]	1657 [782]	1694 [799]	1678 [792]	1702 [802]	1615 [762]
RHMV 6021SE No Heat	(-)P2048 Heat	4	21	10 x 10 1/2	High Stage (Y2)	1600	794	886	917	969	1040	1120	1169	1225	1275	1301
							291	353	361	419	489	553	601	660	715	693
							861 [407]	869 [410]	867 [409]	857 [405]	843 [398]	826 [390]	809 [382]	794 [375]	782 [369]	777 [367]
							560	661	751	833	904	964	1017	1060	1096	1121
							90	114	138	161	182	201	221	238	256	272
RHMV 6021SE No Heat	(-)P2048 Heat	4	21	10 x 10 1/2	Low Stage (Y1)	530	577 [273]	533 [251]	492 [232]	454 [214]	—	—	—	—	—	—
							442	542	629	698	—	—	—	—	—	—
							39	51	662	72	—	—	—	—	—	—
							1576 [744]	1583 [747]	1603 [757]	1641 [774]	1666 [786]	1657 [782]	1694 [799]	1678 [792]	1702 [802]	1615 [762]
							794	886	917	969	1040	1120	1169	1225	1275	1301

[] Designates Metric Conversions



INTEGRATED HOME COMFORT



Air

Airflow Performance Data
RHMV Series

208V/240V Airflow Performance Data—RHMV (Constant CFM (ECM) Motor) (Cont.)

Air Handler (-)HMMV	Outdoor Unit	Nominal Cooling Capacity Tons	Cabinet Size	Blower	Nominal Airflow CFM**	CFM [L/s] Air Delivery / RPM / Watts (No Filter)												
						Size Motor HP	Unit Operation	External Static Pressure - Inches W.C. [kPa] 230 VAC										
								0.1 [.02]	0.2 [.05]	0.3 [.07]	0.4 [1.10]	0.5 [1.12]	0.6 [1.15]	0.7 [1.17]	0.8 [1.20]	0.9 [1.22]	1.0 [1.25]	
RHMV 602ISE No Heat	(-)A2048	4	21	10 x 10 3/4	1565	High Stage (Y2)	1541 [727]	776	841	911	969	1027	1088	1147	1195	1248	1295	
						Int. Stage (Y1*)	841 [397]	314	371	420	469	521	572	616	664	707		
						Low Stage (Y1)	545	645	735	817	888	948	1002	1044	1080	1105		
							82	106	130	153	174	193	213	230	248	264		
							628 [297]	585 [276]	555 [262]	533 [252]	518 [245]	507 [239]	496 [234]	483 [228]	463 [219]	435 [205]		
							472	561	641	718	787	849	907	958	1003	1042		
		47	61	74	89	103	118	134	149	166	182							
		1207 [570]	1233 [582]	1260 [594]	1283 [605]	1301 [614]	1313 [620]	1315 [620]	1303 [615]	1277 [603]	1233 [582]							
		655	736	817	891	964	1035	1097	1167	1277	1285							
		152	190	230	270	310	353	393	440	484	529							
		674 [318]	662 [312]	642 [308]	641 [303]	631 [298]	619 [292]	604 [285]	584 [276]	560 [264]	529 [250]							
		472	562	642	723	791	852	907	955	995	1029							
	45	65	84	104	122	139	156	172	187	202								
	517 [244]	473 [223]	432 [204]	394 [186]	—	—	—	—	—	—								
	442	542	629	698	—	—	—	—	—	—								
	39	51	62	72	—	—	—	—	—	—								
	1207 [570]	1233 [582]	1260 [594]	1283 [605]	1301 [614]	1313 [620]	1315 [620]	1303 [615]	1277 [603]	1233 [582]								
	655	736	817	891	964	1035	1097	1167	1277	1285								
	152	190	230	270	310	353	393	440	484	529								
	674 [318]	662 [312]	642 [308]	641 [303]	631 [298]	619 [292]	604 [285]	584 [276]	560 [264]	529 [250]								
	472	562	642	723	791	852	907	955	995	1029								
	45	65	84	104	122	139	156	172	187	202								
	424 [200]	361 [170]	323 [153]	282 [133]	0 [0]	0 [0]	0 [0]	0 [0]	0 [0]	0 [0]								
	459	550	632	702	—	—	—	—	—	—								
	36	44	53	63	—	—	—	—	—	—								
	1653 [780]	1663 [785]	1690 [798]	1721 [812]	1753 [827]	1770 [835]	1766 [833]	1723 [813]	1641 [775]	1507 [711]								
	841	913	990	1051	1114	1164	1205	1244	1269	1286								
	342	411	483	539	594	635	666	691	703	705								
	902 [425]	904 [427]	898 [424]	886 [418]	870 [410]	853 [402]	836 [394]	822 [388]	813 [384]	812 [383]								
	639	734	820	897	964	1019	1068	1106	1137	1158								
	117	141	164	186	207	226	245	262	279	294								
	638 [301]	627 [296]	617 [291]	606 [286]	595 [281]	582 [274]	565 [266]	543 [256]	516 [243]	481 [227]								
	492	578	655	732	797	854	905	950	987	1017								
	47	67	85	105	122	139	156	172	187	201								

[] Designates Metric Conversions





Air

Airflow Performance Data
RHMV Series

208V/240V Airflow Performance Data—RHMV (Constant CFM (ECM) Motor) (Cont.)

Air Handler (-)RHMV	Outdoor Unit	Nominal Cooling Capacity Tons	Cabinet Size	Blower		Nominal Airflow CFM**	CFM [L/s] Air Delivery / RPM / Watts (No Filter)											
				Size Motor HP	Unit Operation		External Static Pressure - Inches W.C. [kPa] 230 VAC											
							0.1 [.02]	0.2 [.05]	0.3 [.07]	0.4 [1.10]	0.5 [1.12]	0.6 [1.15]	0.7 [1.17]	0.8 [1.20]	0.9 [1.22]	1.0 [1.25]		
RHMV 602ISE with 13kW Heater	(-)P2048 Heat	4	21	10 x 10 3/4	High Stage (Y2)	1600	829	893	962	1019	1076	1135	1193	1240	1291	1336		
						855	311	363	420	468	516	568	618	661	708	751		
						530	867 [409]	869 [410]	863 [407]	851 [401]	835 [394]	818 [386]	801 [378]	787 [372]	778 [367]	777 [367]		
							611	707	793	870	936	992	1040	1078	1110	1130		
							102	126	149	171	192	211	230	247	264	280		
	(-)A2048	4	21	10 x 10 3/4	High Stage (Y2)	1565	554 [261]	512 [242]	473 [223]	433 [204]	—	—	—	—	—	—	—	
						835	495	587	666	727	—	—	—	—	—	—	—	
						470	45	57	67	77	—	—	—	—	—	—	—	—
							1544 [729]	1559 [736]	1584 [748]	1608 [759]	1632 [770]	1651 [779]	1658 [783]	1650 [779]	1618 [764]	1562 [737]		
							810	874	943	1000	1057	1116	1173	1221	1272	1317		
(-)P2036	3	21	10 x 10 3/4	High Stage (Y2)	1235	288	341	397	445	494	545	596	638	686	728			
					835	847 [400]	849 [401]	843 [398]	831 [392]	815 [384]	798 [376]	781 [368]	767 [362]	758 [358]	757 [357]			
					660	595	691	777	854	920	976	1025	1063	1094	1114			
						94	118	141	163	184	203	222	239	256	272			
						605 [285]	568 [268]	543 [256]	525 [248]	513 [242]	502 [237]	490 [231]	474 [224]	450 [212]	416 [196]			
(-)P2036	3	21	10 x 10 3/4	High Stage (Y2)	660	517	602	679	753	819	879	933	981	1023	1059			
					660	54	67	81	96	111	126	142	157	174	191			
					470	1220 [576]	1246 [588]	1272 [600]	1293 [610]	1308 [617]	1315 [621]	1311 [619]	1292 [610]	1257 [593]	1204 [568]			
						696	776	855	928	999	1069	1130	1197	1257	1313			
						171	210	250	290	331	374	414	462	506	552			
(-)P2036	3	21	10 x 10 3/4	High Stage (Y2)	1235	668 [315]	657 [310]	647 [305]	636 [300]	625 [295]	612 [289]	595 [281]	573 [270]	546 [257]	511 [241]			
					660	518	604	681	758	823	880	931	976	1013	1043			
					470	494 [233]	452 [213]	413 [195]	373 [176]	—	—	—	—	—	—	—	—	
						495	587	666	727	—	—	—	—	—	—	—	—	
						1220 [576]	1246 [588]	1272 [600]	1293 [610]	1308 [617]	1315 [621]	1311 [619]	1292 [610]	1257 [593]	1204 [568]			
(-)P2036	3	21	10 x 10 3/4	High Stage (Y2)	1235	45	57	67	77	—	—	—	—	—	—	—		
					660	696	776	855	928	999	1069	1130	1197	1257	1313			
					470	171	210	250	290	331	374	414	462	506	552			
						668 [315]	657 [310]	647 [305]	636 [300]	625 [295]	612 [289]	595 [281]	573 [270]	546 [257]	511 [241]			
						518	604	681	758	823	880	931	976	1013	1043			
(-)P2036	3	21	10 x 10 3/4	High Stage (Y2)	1235	55	75	93	113	130	147	164	180	195	209			
					660	387 [183]	341 [161]	305 [144]	250 [118]	—	—	—	—	—	—	—		
					470	507	592	669	733	—	—	—	—	—	—	—		
						40	48	58	68	—	—	—	—	—	—	—		
						494 [233]	452 [213]	413 [195]	373 [176]	—	—	—	—	—	—	—		

[] Designates Metric Conversions



INTEGRATED HOME COMFORT



Air

Airflow Performance Data
RHMV Series

208V/240V Airflow Performance Data—RHMV (Constant CFM (ECM) Motor) (Cont.)

Air Handler (-)RHMV	Outdoor Unit	Nominal Cooling Capacity Tons	Cabinet Size	Blower		Nominal Airflow CFM**	CFM [L/s] Air Delivery / RPM / Watts (No Filter)									
				Size Motor HP	Unit Operation		External Static Pressure - Inches W.C. [kPa]									
							0.1 [.02]	0.2 [.05]	0.3 [.07]	0.4 [1.10]	0.5 [1.12]	0.6 [1.15]	0.7 [1.17]	0.8 [1.20]	0.9 [1.22]	1.0 [1.25]
RHMV 6024ME No Heat	(-)A2060/(-)P2060	5	24	11 x 11 3/4	High Stage (Y2)	1670	1640 [774]	1673 [790]	1695 [800]	1710 [807]	1712 [808]	1703 [804]	1681 [794]	1647 [777]	1599 [755]	1539 [726]
						609	681	744	810	858	915	962	1002	1038	1068	
						230	296	356	421	471	534	589	641	690	736	
RHMV 6024ME with 13kW Heater	(-)A2060/(-)P2060	5	24	11 x 10 3/4	Int. Stage (Y1*)	755	773 [365]	779 [368]	779 [368]	773 [365]	763 [360]	751 [354]	737 [348]	723 [341]	710 [335]	699 [330]
						406	480	549	614	674	729	779	826	867	903	
						50	70	91	113	135	158	181	205	229	254	
RHMV 6024ME with 13kW Heater	(-)A2060/(-)P2060	5	24	Low Stage (Y1)	500	538 [254]	497 [235]	430 [203]	—	—	—	—	—	—	—	—
					371	462	536	—	—	—	—	—	—	—	—	
					35	49	59	—	—	—	—	—	—	—	—	
RHMV 6024ME with 13kW Heater	(-)A2060/(-)P2060	5	24	High Stage (Y2)	1670	1657 [782]	1686 [796]	1704 [804]	1712 [808]	1710 [807]	1694 [800]	1666 [786]	1625 [767]	1570 [741]	1503 [709]	
					645	714	775	838	884	938	983	1020	1054	1081		
					262	327	387	450	500	561	615	665	714	758		
RHMV 6024ME with 13kW Heater	(-)A2060/(-)P2060	5	24	Int. Stage (Y1*)	755	777 [367]	780 [368]	776 [366]	769 [363]	757 [357]	744 [351]	730 [345]	716 [338]	704 [332]	695 [328]	
					444	515	582	644	702	755	803	847	886	919		
					60	81	102	124	146	169	192	217	242	267		
RHMV 6024ME with 13kW Heater	(-)A2060/(-)P2060	5	24	Low Stage (Y1)	500	520 [245]	468 [221]	380 [180]	—	—	—	—	—	—	—	—
					418	500	569	—	—	—	—	—	—	—	—	
					42	54	65	—	—	—	—	—	—	—	—	

[] Designates Metric Conversions



Electrical Data – With Electric Heat RHMV

Installation of the U.L. Listed original equipment manufacturer provided heater kits listed in the following table is recommended for all auxiliary heating requirements.

Air Handler Model RHMV	Heater Kit Model	Heater kW	PH/HZ	No. Elements kW Per Element	Circuit	Circuit Amps.	Motor Ampacity	Minimum Circuit Ampacity	Maximum Circuit Protection
2417SEAC	RXBH-17?03J	2.2/3	1/60	1 - 3	SINGLE	10.8/12.5	2.7	17/19	20/20
	RXBH-1724?05J	3.6/4.8	1/60	1 - 4.8	SINGLE	17.3/20	2.7	25/29	25/30
	RXBH-1724?07J	5.4/7.2	1/60	2 - 3.6	SINGLE	26/30	2.7	36/41	40/45
	RXBH-1724?10J	7.2/9.6	1/60	2 - 4.8	SINGLE	34.6/40	2.7	47/54	50/60
	RXBH-1724A10C	7.2/9.6	3/60	3 - 3.2	SINGLE	20/23.1	2.7	29/33	30/35
	RXBH-1724A13J	9.4/12.5	1/60	3 - 4.17	SINGLE	45.1/52.1	2.7	60/69	60/70
	RXBH-1724A13J	3.1/4.2	1/60	1 - 4.17	MULTIPLE CKT 1	15/17.4	2.7	23/26	25/30
	RXBH-1724A13J	6.3/8.3	1/60	2 - 4.17	MULTIPLE CKT 2	30.1/34.7	0	38/44	40/45
2421HEAC	RXBH-1724?05J	3.6/4.8	1/60	1 - 4.8	SINGLE	17.3/20	4.3	27/31	30/35
	RXBH-1724?07J	5.4/7.2	1/60	2 - 3.6	SINGLE	26/30	4.3	38/43	40/45
	RXBH-1724?10J	7.2/9.6	1/60	2 - 4.8	SINGLE	34.6/40	4.3	49/56	50/60
	RXBH-1724A10C	7.2/9.6	3/60	3 - 3.2	SINGLE	20/23.1	4.3	31/35	35/35
	RXBH-1724A15C	10.8/14.4	3/60	3 - 4.8	SINGLE	30/34.6	4.3	43/49	45/50
	RXBH-1724A15J	10.8/14.4	1/60	3 - 4.8	SINGLE	51.9/60	4.3	71/81	80/90
	RXBH-1724A15J	3.6/4.8	1/60	1 - 4.8	MULTIPLE CKT 1	17.3/20	4.3	28/31	30/35
	RXBH-1724A15J	7.2/9.6	1/60	2 - 4.8	MULTIPLE CKT 2	34.6/40	0	44/50	45/50
	RXBH-1724A18J	12.8/17	1/60	3 - 5.67	SINGLE	61.6/70.8	4.3	83/94	90/100
	RXBH-1724A18J	4.3/5.7	1/60	1 - 5.67	MULTIPLE CKT 1	20.5/23.6	4.3	32/35	35/35
	RXBH-1724A18J	8.5/11.3	1/60	2 - 5.67	MULTIPLE CKT 2	41.1/47.2	0	52/60	60/60
	RXBH-24A20C	14.4/19.2	3/60	6 - 3.2	SINGLE	40/46.2	4.3	56/64	60/70
	RXBH-24A20C	7.2/9.6	3/60	3 - 3.2	MULTIPLE CKT 1	20/23.1	4.3	31/35	35/35
	RXBH-24A20C	7.2/9.6	3/60	3 - 3.2	MULTIPLE CKT 2	20/23.1	0	25/29	25/30
	RXBH-24A20J	14.4/19.2	1/60	4 - 4.8	SINGLE	69.2/80	4.3	92/106	100/110
	RXBH-24A20J	7.2/9.6	1/60	2 - 4.8	MULTIPLE CKT 1	34.6/40	4.3	49/56	50/60
	RXBH-24A20J	7.2/9.6	1/60	2 - 4.8	MULTIPLE CKT 2	34.6/40	0	44/50	45/50
	RXBH-24A25C	18/24	3/60	6 - 4	SINGLE	50/57.8	4.3	68/78	70/80
	RXBH-24A25C	9/12	3/60	3 - 4	MULTIPLE CKT 1	25/28.9	4.3	37/42	40/45
	RXBH-24A25C	9/12	3/60	3 - 4	MULTIPLE CKT 2	25/28.9	0	32/37	35/40
	RXBH-24A25J	18/24	1/60	6 - 4	SINGLE	86.4/99.9	4.3	114/131	125/150
	RXBH-24A25J	6/8	1/60	2 - 4	MULTIPLE CKT 1	28.8/33.3	4.3	42/47	45/50
	RXBH-24A25J	6/8	1/60	2 - 4	MULTIPLE CKT 2	28.8/33.3	0	37/42	40/45
	RXBH-24A25J	6/8	1/60	2 - 4	MULTIPLE CKT 3	28.8/33.3	0	37/42	40/45

NOTES:

* Values only. No single point kit available.

- Electric heater BTUH - (heater watts + motor watts) x 3.414 (see airflow table for motor watts.)
- Supply circuit protective devices may be fuses or "HACR" type circuit breakers.
- Largest motor load is included in single circuit and multiple circuit 1.
- If non-standard fuse size is specified, use next size larger fuse size.
- J Voltage (230V) single phase air handler is designed to be used with single or three phase 230 volt electric heaters. In the case of connecting 3-phase power to the air handler terminal block without the heater, bring only two leads to the terminal block. Cap, insulate and fully secure the third lead.
- If the kit is listed under both single and multiple circuits, the kit is shipped from factory as multiple circuits. For single phase application, Jumper bar kit RXBJ-A21 and RXBJ-A31 can be used to convert multiple circuits to a single supply circuit. Refer to Accessory Section for details.
- The airflow for continuous fan is set 50% of the cooling airflow.
- ?Heater kits connection type. A=Breaker B=Terminal Block C=Disconnect Pull Out

[] Designates Metric Conversions

Electrical Data – With Electric Heat RHMV (Cont.)

Installation of the U.L. Listed original equipment manufacturer provided heater kits listed in the following table is recommended for all auxiliary heating requirements.

Air Handler Model RHMV	Heater Kit Model	Heater kW	PH/HZ	No. Elements kW Per Element	Circuit	Circuit Amps.	Motor Ampacity	Minimum Circuit Ampacity	Maximum Circuit Protection
2421MEAC	RXBH-1724?05J	3.6/4.8	1/60	1 - 4.8	SINGLE	17.3/20	1.7	24/28	25/30
	RXBH-1724?07J	5.4/7.2	1/60	2 - 3.6	SINGLE	26/30	1.7	35/40	35/40
	RXBH-1724?10J	7.2/9.6	1/60	2 - 4.8	SINGLE	34.6/40	1.7	46/53	50/60
	RXBH-1724A10C	7.2/9.6	3/60	3 - 3.2	SINGLE	20/23.1	1.7	28/32	30/35
	RXBH-1724A13J	9.4/12.5	1/60	3 - 4.17	SINGLE	45.1/52.1	1.7	59/68	60/70
	RXBH-1724A13J	3.1/4.2	1/60	1 - 4.17	MULTIPLE CKT 1	15/17.4	1.7	21/24	25/25
	RXBH-1724A13J	6.3/8.3	1/60	2 - 4.17	MULTIPLE CKT 2	30.1/34.7	0	38/44	40/45
3617SEAC	RXBH-17?03J	2.2/3	1/60	1 - 3	SINGLE	10.8/12.5	3.4	18/20	20/20
	RXBH-1724?05J	3.6/4.8	1/60	1 - 4.8	SINGLE	17.3/20	3.4	26/30	30/30
	RXBH-1724?07J	5.4/7.2	1/60	2 - 3.6	SINGLE	26/30	3.4	37/42	40/45
	RXBH-1724?10J	7.2/9.6	1/60	2 - 4.8	SINGLE	34.6/40	3.4	48/55	50/60
	RXBH-1724A10C	7.2/9.6	3/60	3 - 3.2	SINGLE	20/23.1	3.4	30/34	30/35
	RXBH-1724A13J	9.4/12.5	1/60	3 - 4.17	SINGLE	45.1/52.1	3.4	61/70	70/70
	RXBH-1724A13J	3.1/4.2	1/60	1 - 4.17	MULTIPLE CKT 1	15/17.4	3.4	24/26	25/30
	RXBH-1724A13J	6.3/8.3	1/60	2 - 4.17	MULTIPLE CKT 2	30.1/34.7	0	38/44	40/45
	RXBH-1724A15C	10.8/14.4	3/60	3 - 4.8	SINGLE	30/34.6	3.4	42/48	45/50
	RXBH-1724A15J	10.8/14.4	1/60	3 - 4.8	SINGLE	51.9/60	3.4	70/80	70/80
	RXBH-1724A15J	3.6/4.8	1/60	1 - 4.8	MULTIPLE CKT 1	17.3/20	3.4	26/30	30/30
	RXBH-1724A15J	7.2/9.6	1/60	2 - 4.8	MULTIPLE CKT 2	34.6/40	0	44/50	45/50
	RXBH-1724A18J	12.8/17	1/60	3 - 5.67	SINGLE	61.6/70.8	3.4	82/93	90/100
	RXBH-1724A18J	4.3/5.7	1/60	1 - 5.67	MULTIPLE CKT 1	20.5/23.6	3.4	30/34	30/35
	RXBH-1724A18J	8.5/11.3	1/60	2 - 5.67	MULTIPLE CKT 2	41.1/47.2	0	52/60	60/60

NOTES:

- * Values only. No single point kit available.
- Electric heater BTUH - (heater watts + motor watts) x 3.414 (see airflow table for motor watts.)
- Supply circuit protective devices may be fuses or "HACR" type circuit breakers.
- Largest motor load is included in single circuit and multiple circuit 1.
- If non-standard fuse size is specified, use next size larger fuse size.
- J Voltage (230V) single phase air handler is designed to be used with single or three phase 230 volt electric heaters. In the case of connecting 3-phase power to the air handler terminal block without the heater, bring only two leads to the terminal block. Cap, insulate and fully secure the third lead.
- If the kit is listed under both single and multiple circuits, the kit is shipped from factory as multiple circuits. For single phase application, Jumper bar kit RXBJ-A21 and RXBJ-A31 can be used to convert multiple circuits to a single supply circuit. Refer to Accessory Section for details.
- The airflow for continuous fan is set 50% of the cooling airflow.
- ?Heater kits connection type. A=Breaker B=Terminal Block C=Disconnect Pull Out

[] Designates Metric Conversions

Electrical Data – With Electric Heat RHMV (Cont.)

Installation of the U.L. Listed original equipment manufacturer provided heater kits listed in the following table is recommended for all auxiliary heating requirements.

Air Handler Model RHMV	Heater Kit Model	Heater kW	PH/HZ	No. Elements kW Per Element	Circuit	Circuit Amps.	Motor Ampacity	Minimum Circuit Ampacity	Maximum Circuit Protection
6021SEAC	RXBH-1724?05J	3.6/4.8	1/60	1 - 4.8	SINGLE	17.3/20	4.9	28/32	30/35
	RXBH-1724?07J	5.4/7.2	1/60	2 - 3.6	SINGLE	26/30	4.9	39/44	40/45
	RXBH-1724?10J	7.2/9.6	1/60	2 - 4.8	SINGLE	34.6/40	4.9	50/57	50/60
	RXBH-1724A10C	7.2/9.6	3/60	3 - 3.2	SINGLE	20/23.1	4.9	32/35	35/35
	RXBH-1724A15C	10.8/14.4	3/60	3 - 4.8	SINGLE	30/34.6	4.9	44/50	45/50
	RXBH-1724A15J	10.8/14.4	1/60	3 - 4.8	SINGLE	51.9/60	4.9	72/82	80/90
	RXBH-1724A15J	3.6/4.8	1/60	1 - 4.8	MULTIPLE CKT 1	17.3/20	4.9	28/32	30/35
	RXBH-1724A15J	7.2/9.6	1/60	2 - 4.8	MULTIPLE CKT 2	34.6/40	0	44/50	45/50
	RXBH-1724A18J	12.8/17	1/60	3 - 5.67	SINGLE	61.6/70.8	4.9	84/95	90/100
	RXBH-1724A18J	4.3/5.7	1/60	1 - 5.67	MULTIPLE CKT 1	20.5/23.6	4.9	32/36	35/40
	RXBH-1724A18J	8.5/11.3	1/60	2 - 5.67	MULTIPLE CKT 2	41.1/47.2	0	52/60	60/60
	RXBH-24A20C	14.4/19.2	3/60	6 - 3.2	SINGLE	40/46.2	4.9	57/64	60/70
	RXBH-24A20C	7.2/9.6	3/60	3 - 3.2	MULTIPLE CKT 1	20/23.1	4.9	32/35	35/35
	RXBH-24A20C	7.2/9.6	3/60	3 - 3.2	MULTIPLE CKT 2	20/23.1	0	25/29	25/30
	RXBH-24A20J	14.4/19.2	1/60	4 - 4.8	SINGLE	69.2/80	4.9	93/107	100/110
	RXBH-24A20J	7.2/9.6	1/60	2 - 4.8	MULTIPLE CKT 1	34.6/40	4.9	50/57	50/60
	RXBH-24A20J	7.2/9.6	1/60	2 - 4.8	MULTIPLE CKT 2	34.6/40	0	44/50	45/50
	RXBH-24A25C	18/24	3/60	6 - 4	SINGLE	50/57.8	4.9	69/79	70/80
	RXBH-24A25C	9/12	3/60	3 - 4	MULTIPLE CKT 1	25/28.9	4.9	38/43	40/45
	RXBH-24A25C	9/12	3/60	3 - 4	MULTIPLE CKT 2	25/28.9	0	32/37	35/40
	RXBH-24A25J	18/24	1/60	6 - 4	SINGLE	86.4/99.9	4.9	115/132	125/150
	RXBH-24A25J	6/8	1/60	2 - 4	MULTIPLE CKT 1	28.8/33.3	4.9	43/48	45/50
	RXBH-24A25J	6/8	1/60	2 - 4	MULTIPLE CKT 2	28.8/33.3	0	37/42	40/45
RXBH-24A25J	6/8	1/60	2 - 4	MULTIPLE CKT 3	28.8/33.3	0	37/42	40/45	

NOTES:

- * Values only. No single point kit available.
- Electric heater BTUH - (heater watts + motor watts) x 3.414 (see airflow table for motor watts.)
- Supply circuit protective devices may be fuses or "HACR" type circuit breakers.
- Largest motor load is included in single circuit and multiple circuit 1.
- If non-standard fuse size is specified, use next size larger fuse size.
- J Voltage (230V) single phase air handler is designed to be used with single or three phase 230 volt electric heaters. In the case of connecting 3-phase power to the air handler terminal block without the heater, bring only two leads to the terminal block. Cap, insulate and fully secure the third lead.
- If the kit is listed under both single and multiple circuits, the kit is shipped from factory as multiple circuits. For single phase application, Jumper bar kit RXBJ-A21 and RXBJ-A31 can be used to convert multiple circuits to a single supply circuit. Refer to Accessory Section for details.
- The airflow for continuous fan is set 50% of the cooling airflow.
- ?Heater kits connection type. A=Breaker B=Terminal Block C=Disconnect Pull Out

[] Designates Metric Conversions

Electrical Data – With Electric Heat RHMV (Cont.)

Installation of the U.L. Listed original equipment manufacturer provided heater kits listed in the following table is recommended for all auxiliary heating requirements.

Air Handler Model RHMV	Heater Kit Model	Heater kW	PH/HZ	No. Elements kW Per Element	Circuit	Circuit Amps.	Motor Ampacity	Minimum Circuit Ampacity	Maximum Circuit Protection
6024MEAC	RXBH-1724?05J	3.6/4.8	1/60	1 - 4.8	SINGLE	17.3/20	4.9	28/32	30/35
	RXBH-1724?07J	5.4/7.2	1/60	2 - 3.6	SINGLE	26/30	4.9	39/44	40/45
	RXBH-1724?10J	7.2/9.6	1/60	2 - 4.8	SINGLE	34.6/40	4.9	50/57	50/60
	RXBH-1724A10C	7.2/9.6	3/60	3 - 3.2	SINGLE	20/23.1	4.9	32/35	35/35
	RXBH-1724A15C	10.8/14.4	3/60	3 - 4.8	SINGLE	30/34.6	4.9	44/50	45/50
	RXBH-1724A15J	10.8/14.4	1/60	3 - 4.8	SINGLE	51.9/60	4.9	72/82	80/90
	RXBH-1724A15J	3.6/4.8	1/60	1 - 4.8	MULTIPLE CKT 1	17.3/20	4.9	28/32	30/35
	RXBH-1724A15J	7.2/9.6	1/60	2 - 4.8	MULTIPLE CKT 2	34.6/40	0	44/50	45/50
	RXBH-1724A18J	12.8/17	1/60	3 - 5.67	SINGLE	61.6/70.8	4.9	84/95	90/100
	RXBH-1724A18J	4.3/5.7	1/60	1 - 5.67	MULTIPLE CKT 1	20.5/23.6	4.9	32/36	35/40
	RXBH-1724A18J	8.5/11.3	1/60	2 - 5.67	MULTIPLE CKT 2	41.1/47.2	0	52/60	60/60
	RXBH-24A20C	14.4/19.2	3/60	6 - 3.2	SINGLE	40/46.2	4.9	57/64	60/70
	RXBH-24A20C	7.2/9.6	3/60	3 - 3.2	MULTIPLE CKT 1	20/23.1	4.9	32/35	35/35
	RXBH-24A20C	7.2/9.6	3/60	3 - 3.2	MULTIPLE CKT 2	20/23.1	0	25/29	25/30
	RXBH-24A20J	14.4/19.2	1/60	4 - 4.8	SINGLE	69.2/80	4.9	93/107	100/110
	RXBH-24A20J	7.2/9.6	1/60	2 - 4.8	MULTIPLE CKT 1	34.6/40	4.9	50/57	50/60
	RXBH-24A20J	7.2/9.6	1/60	2 - 4.8	MULTIPLE CKT 2	34.6/40	0	44/50	45/50
	RXBH-24A25C	18/24	3/60	6 - 4	SINGLE	50/57.8	4.9	69/79	70/80
	RXBH-24A25C	9/12	3/60	3 - 4	MULTIPLE CKT 1	25/28.9	4.9	38/43	40/45
	RXBH-24A25C	9/12	3/60	3 - 4	MULTIPLE CKT 2	25/28.9	0	32/37	35/40
	RXBH-24A25J	18/24	1/60	6 - 4	SINGLE	86.4/99.9	4.9	115/132	125/150
	RXBH-24A25J	6/8	1/60	2 - 4	MULTIPLE CKT 1	28.8/33.3	4.9	43/48	45/50
	RXBH-24A25J	6/8	1/60	2 - 4	MULTIPLE CKT 2	28.8/33.3	0	37/42	40/45
	RXBH-24A25J	6/8	1/60	2 - 4	MULTIPLE CKT 3	28.8/33.3	0	37/42	40/45
	RXBH-24A30C	21.6/28.8	3/60	6 - 4.8	SINGLE	60/69.4	4.9	82/93	90/100
	RXBH-24A30C	10.8/14.4	3/60	3 - 4.8	MULTIPLE CKT 1	30/34.7	4.9	44/50	45/50
	RXBH-24A30C	10.8/14.4	3/60	3 - 4.8	MULTIPLE CKT 2	30/34.7	0	38/44	40/45
	RXBH-24A30J	21.6/28.8	1/60	6 - 4.8	SINGLE	103.8/120	4.9	136/157	150/175
	RXBH-24A30J	7.2/9.6	1/60	2 - 4.8	MULTIPLE CKT 1	34.6/40	4.9	50/57	50/60
	RXBH-24A30J	7.2/9.6	1/60	2 - 4.8	MULTIPLE CKT 2	34.6/40	0	44/50	45/50
RXBH-24A30J	7.2/9.6	1/60	2 - 4.8	MULTIPLE CKT 3	34.6/40	0	44/50	45/50	

- NOTES:**
- * Values only. No single point kit available.
 - Electric heater BTUH - (heater watts + motor watts) x 3.414 (see airflow table for motor watts.)
 - Supply circuit protective devices may be fuses or "HACR" type circuit breakers.
 - Largest motor load is included in single circuit and multiple circuit 1.
 - If non-standard fuse size is specified, use next size larger fuse size.
 - J Voltage (230V) single phase air handler is designed to be used with single or three phase 230 volt electric heaters. In the case of connecting 3-phase power to the air handler terminal block without the heater, bring only two leads to the terminal block. Cap, insulate and fully secure the third lead.
 - If the kit is listed under both single and multiple circuits, the kit is shipped from factory as multiple circuits. For single phase application, Jumper bar kit RXBJ-A21 and RXBJ-A31 can be used to convert multiple circuits to a single supply circuit. Refer to Accessory Section for details.
 - The airflow for continuous fan is set 50% of the cooling airflow.
 - ?Heater kits connection type. A=Breaker B=Terminal Block C=Disconnect Pull Out

[] Designates Metric Conversions

Electrical Wiring

Power Wiring

- Field wiring must comply with the National Electrical Code (C.E.C. in Canada) and any applicable local ordinance.
- Supply wiring must be 75°C minimum copper conductors only.
- See electrical data for product Ampacity rating and Circuit Protector requirement.

Accessories

• Combustible Floor Base RXHB-

Model Cabinet Size	Combustible Floor Base Model Number
17	RXHB-17
21	RXHB-21
24	RXHB-24

- **Jumper Bar Kit 3 Ckt. to 1 Ckt. RXBJ-A31** is used to convert single phase multiple three circuit units to a single supply circuit. Kit includes cover and screw for line side terminals.
- **Jumper Bar Kit 2 Ckt. to 1 Ckt. RXBJ-A21** is used to convert single phase multiple two circuit units to a single supply circuit. Kit includes cover and screw for line side terminals.
- **Note:** No jumper bar kit is available to convert three phase multiple two circuit units to a single supply circuit.

• Auxiliary Horizontal Overflow Pan Accessory RXBM-

Nominal Cooling Capacity-Tons	Auxiliary Horizontal Overflow Pan Accessory Model Number
2 - 3	RXBM-AC48
4 - 5	RXBM-AC61

• Supply and Return Air Sensor Kit RXHT-A02

The RXHT-A02 Thermistor Kit is to be used with the air handler control to monitor the system return and leaving air temperatures. These temperatures can be monitored with the EcoNet communicating thermostat.

Grounding

- This product must be sufficiently grounded in accordance with National Electrical Code (C.E.C. in Canada) and any applicable local ordinance.
- A grounding lug is provided.

• Auxiliary Electric Heater Kits RXBH-

Heater Kits include circuit breakers which meet UL and cUL requirements for service disconnect. See the Electric Heat Electrical Data in this specification sheet for specific Heater Kit Model numbers.

• External Filter Base RXHF-

Model Cabinet Size	Filter Size In. [mm]	Part Number*	A	B
21	20 x 20 [508 x 508]	RXHF-21	19.20	21.0
24	25 x 20 [635 x 508]	RXHF-24	22.70	25.5

*Accommodates 1" or 2" filter

• Horizontal Adapter Kit RXHH-

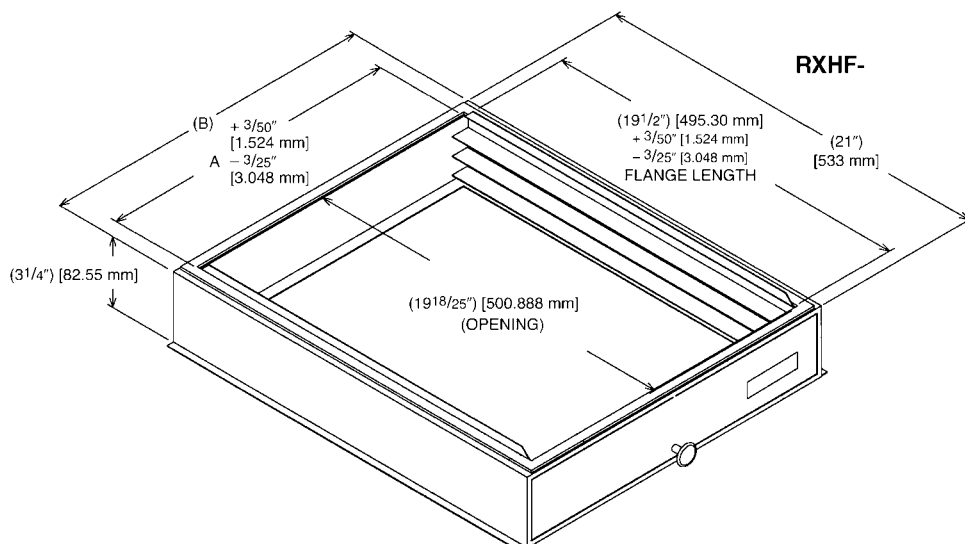
This horizontal adapter kit is used to convert Upflow/Downflow only models to horizontal flow. See the following table to order proper horizontal adapter kit.

Coil Model	Horizontal Adapter Kit Model Number (Single Qty.)	Horizontal Adapter Kit Model Number (10-Pack Qty.)
2414	RXHH-A01	RXHH-A01 x 10
2417	RXHH-A02	RXHH-A02 x 10
2421/3617/3621	RXHH-A03	RXHH-A03 x 10
4821/4824/6021	RXHH-A06	RXHH-A06 x 10
6024	RXHH-A05	RXHH-A05 x 10

• External Filter Base RXHF-

Model Cabinet Size	Filter Size In. [mm]	Part Number*	A	B
17	16 x 20 [406 x 508]	RXHF-17	15.70	17.5
21	20 x 20 [508 x 508]	RXHF-21	19.20	21.0
24	25 x 20 [635 x 508]	RXHF-24	22.70	25.5

*Accommodates 1" or 2" filter



[] Designates Metric Conversions