



# Centium T8 Instant Start

## CENTIUM ICN3P32N35I

Reliable and energy efficient Philips Advance's Centium commercial grade specifications, plus added benefits of lamp striation reduction technology.

### Product data

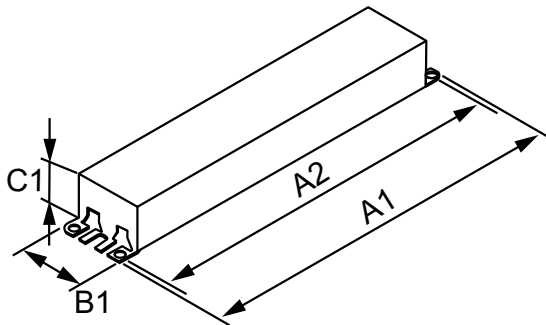
General Information		Color Output Terminals	
Lamp Type	F32T8	Color Output Terminals	No terminals
Number Of Lamps	2/3 piece/unit	Wire Striplength	0.50/0.375 mm
Ballast Type	Electronic Fluorescent	Lamp Connection	Parallel
Base Model	ICN3P32N	Wire Length By Color	See data sheet
Suitable For Outdoor Use	Yes	Wire Gauge (Nom)	18AWG mm
Automatic Restart	Yes	Wire Type	Solid
Remote Wiring Configuration Allowed		Remote Wiring Configuration Allowed	Yes
Tandem Wiring Configuration Allowed		Tandem Wiring Configuration Allowed	Yes
Through Wiring Configuration Allowed		Through Wiring Configuration Allowed	Yes
Max Ballast-Lamp Distance Remote Wiring		Max Ballast-Lamp Distance Remote Wiring	ES = 6' / Standard = 20'
Max Ballast-Lamp Distance Tandem Wiring		Max Ballast-Lamp Distance Tandem Wiring	ES = 6' / Standard = 20'
Max Ballast-Lamp Distance Through Wiring		Max Ballast-Lamp Distance Through Wiring	ES = 6' / Standard = 20'
Connector Type		Connector Type	No connector
Operating and Electrical		Temperature	
Input Voltage	120 to 277 V	T-Case Maximum (Nom)	70 °C
Input Frequency	50 to 60 Hz	Mechanical and Housing	
Total Harmonic Distortion USA	10 %	Housing Material	Metal
Ignition Method	Instant Start	Housing	N
Crestfactor (Nom)	1.7	Housing Dimensions	9.5" x 1.3" x 1.0"
Ignition Time (Nom)	0.1 s	Approval and Application	
Ballast Factor (Nom)	0.88	EMC Immunity Standard	FCC Non-Consumer
Power Factor (Nom)	0.98		
Input Current (Max)	0.71 A		
Input Current (Min)	0.31 A		
Input Power (Nom)	85-86 W		
Rated Lamp Power	32 W		
Wiring			
Color Input Terminals	No terminals		

## Centium T8 Instant Start

<b>Approval Marks</b>	CSA certificate UL certificate CEC Listing CEE Rated NEMA Premium NOM certificate RoHS Compliant
<b>Hum And Noise Level</b>	A
<b>UL Recognized</b>	No
<b>Product Data</b>	
<b>Order product name</b>	CENTIUM ICN3P32N35I

<b>EAN/UPC - Product</b>	781087091494
<b>Order code</b>	913701220201
<b>Numerator - Quantity Per Pack</b>	1
<b>Numerator - Packs per outer box</b>	10
<b>Material Nr. (12NC)</b>	913701220201
<b>Net Weight (Piece)</b>	0.441 kg

### Dimensional drawing



ELE BALLAST (3) 120-277V F32T8 120-277V

Product	A1	A2	B1	C1
CENTIUM ICN3P32N35I	9.50 in	8.90 in	1.30 in	1.00 in

