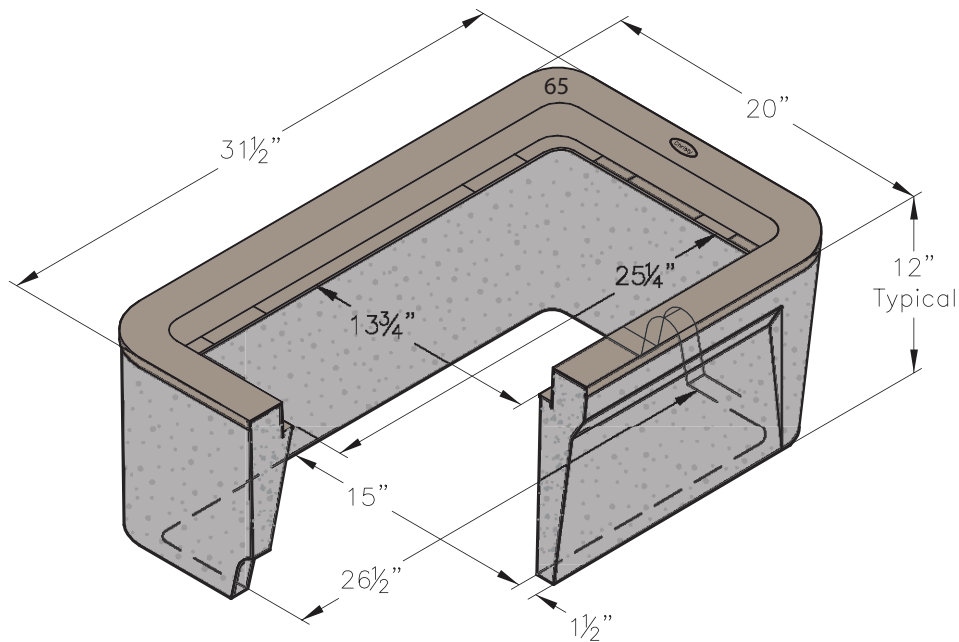
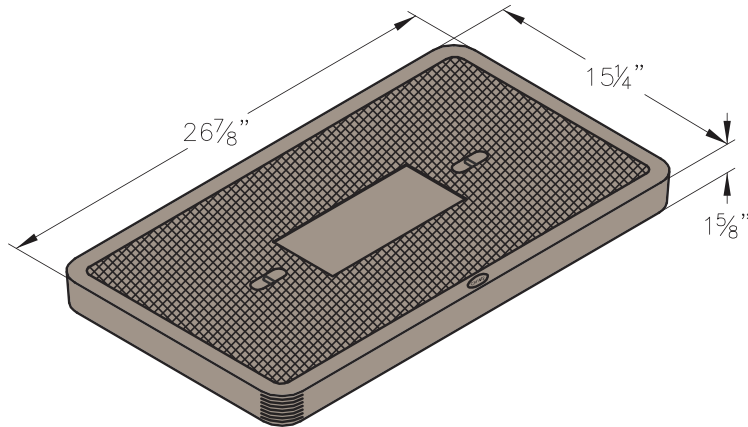


# B65



**COVER:**

Style: Flush  
 Material: Reinforced Concrete  
 Model: 15" x 27"  
 Weight: 56 lbs  
 Options: Special Markings  
 Surface: Skid Resistant & Marked\*  
 Coefficient of Friction: >0.6 ASTM 1028  
 Performance: ASTM C 857, WUC 3.6

**BODY:**

Material: Reinforced Concrete with Composite Cap  
 Model: 20" x 31"  
 Weight: 160 lbs  
 Wall Type: Straight  
 Mouseholes: 0  
 Performance: ASTM C 857, WUC 3.6

**EXTENSION:**

Material: Reinforced Concrete  
 Depth: 12"  
 Weight: 104 lbs



Light Duty:  
Pedestrian Only

\*Cover comes standard with permanent markings for manufacturer, load rating, model size and manufacturing location.

Contact your Oldcastle Enclosure Solutions Distribution Center for specific information and additional options.

Actual load rating is determined by the box and cover combination. Weights and dimensions may vary slightly.  
 Rev 10/2016 ©2016 Oldcastle, Inc.

# B65

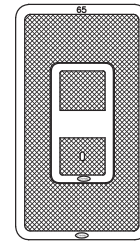
**Options:**

**Concrete Covers:**

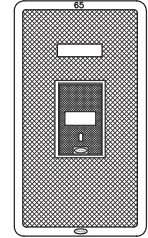
- Flush Solid
- Flush with CI Reader Door
- Flush with Concrete Reader Lid Slab

**Steel Checker Plate Covers:**

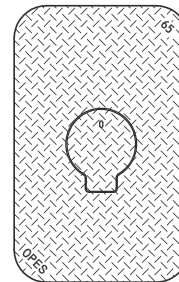
- Flush Solid
- Flush with 8" Round Reader Door
- Galvanizing Available



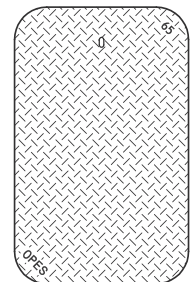
Concrete with CI Reader



Concrete with Concrete Reader



Steel with Reader



Steel

**Product Load Rating:**



Light Duty : Pedestrian Only

**Note:**

Actual load rating is determined by the box and cover combination. Weights and dimensions may vary slightly. All information contained on this sheet is current at the time of printing. Oldcastle Precast, Inc. reserves the right to discontinue or update product information without notice.

