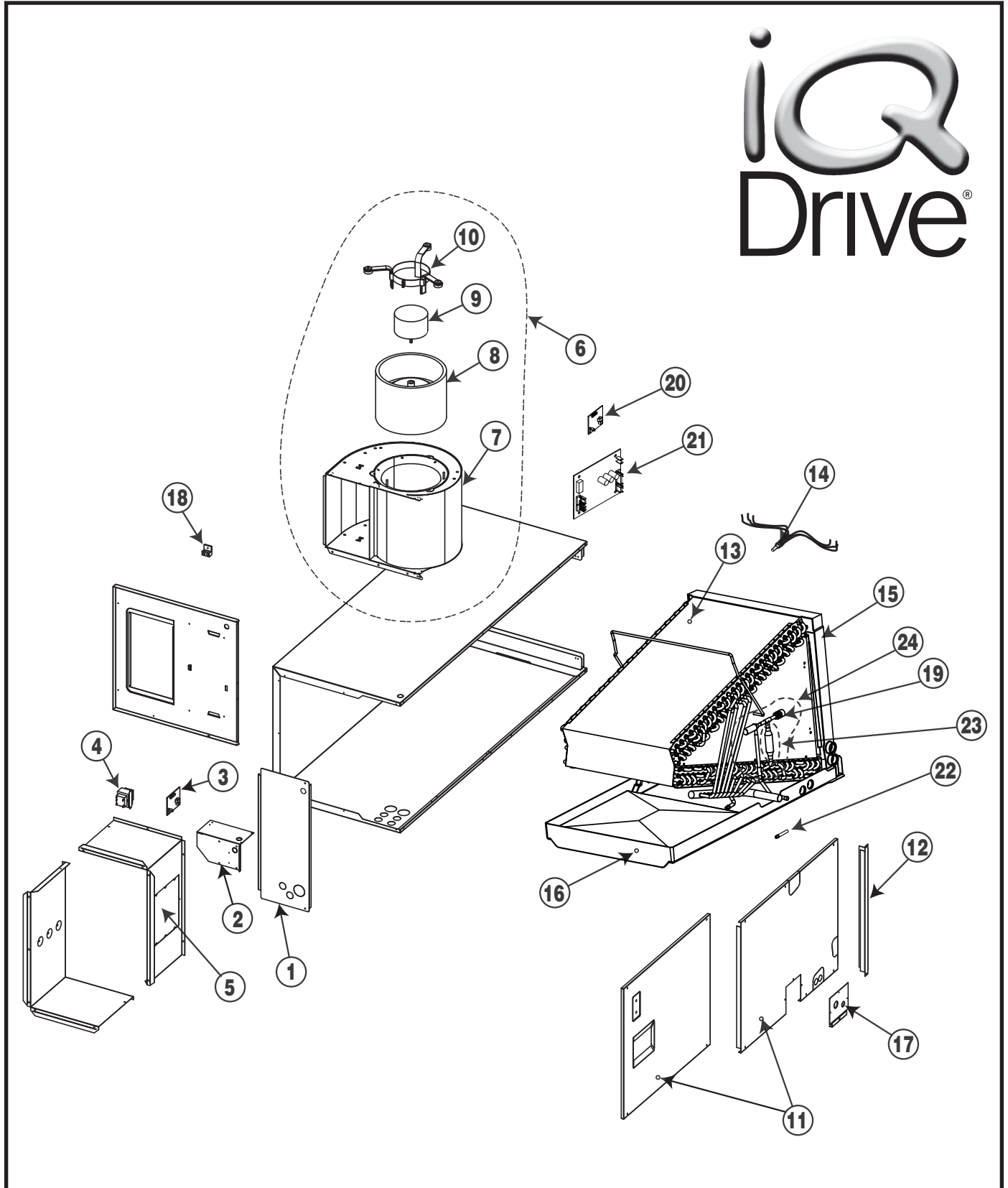


**iQ  
Drive**



## PAH4VM iQDrive Series Multi-Poise Air Handler

ITEM	DESCRIPTION	E24K-B	E36K-B	E48K-C
1	Top Cap Assy	281963R	281963R	281964R
2	Electrical Panel Eff 05/07	M0023209R	M0023209R	M0023209R
3	Control Board	904532	904532	904532
4	Transformer	622036	622036	622036
5	Plate, Element Close-Off	226420	226420	226420
6	Complete Blower Assy	904551	904551	904552
7	Blower Housing	497227	497227	D07484R
8	Blower Wheel	667258	667258	667277
9	Motor, Blower	M0021809R	M0021809R	M0021810R
10	Kit, Motor Mount	903489	903489	903489
11	Door Assy	904558	904555	904556
12	Filter Door	284745S	284745	284746
13	Coil Assy Eff	920827	920828	920829
14	Distributor Assy	663830	664219	663586
15	Drain Pan, Vertical	669409	669409	669411
16	Horizontal Drain Pan Only	669299	669577	669569
17	Close-Off	295471SR	295471SR	295471SR
18	Ground Lug	632235	632235	632235
19	EXV	669655	669655	669652
	EXV Coil	669760	669760	669759
20	Interface Board	624689	624689	624689
21	EXV Board	624754	624754	624754
22	Pressure Transducer	624692	624692	624692
23	Check Valve	669778	669778	669778
24	EXV/Check Valve Assy.	2B0311	2B0311	2B0312
	Fuse, 5 AMP (Not Shown)	632269	632269	632269
	Coil Support Rod (Not Shown)	669100	669100	669100
	Plug, Drain Pan (Not Shown)	663351	663351	663351
	Temp Sensor, Hairpin (Not Shown)	624702	624702	624702
	Temp Sensor, Suction (Not Shown)	624670	624670	624670
	Temp Sensor, Suction (Not Shown) Eff 05/07	626573	626573	626573
	Torroidal core, t-stat controller (Not Shown)	632467	632467	632467
	Torroidal core, outdoor comm. (Not Shown)	632468	632468	632468
	Power noise filter (Not Shown)	632472	632472	632472
	Wire harness blwr control (Not Shown)	634675	634675	634675
	Wire harness 3-pin, outdoor (Not Shown)	634763	634763	634763
	Wire harness 4-pin, t-stat (Not Shown)	634680	634680	634680
	Wire harness 5-pin, blower (Not Shown)	291062	291062	291062
	Wire harness 4-pin, Pressure Transducer (Not Shown) Eff 05/07	634714	634714	634714

**NORDYNE**  
COMPLETE COMFORT. GENUINE VALUE.

O' Fallon, MO



709019B

**709019B** (Replaces 709019A)  
Specifications and illustrations subject to change  
without notice or incurring obligations.  
Printed in U.S.A. (11/09)