

MAYTAG

TECHNICAL SPECIFICATIONS

Model PPG3HE Series with R-410A Refrigerant



M1200 Product Line

**Single Packaged Gas/Electric Units
14 SEER — 2 - 5 Ton Units**

95% AFUE Condensing Heat Exchanger offering 2-Stage Heating and 14 SEER Single-Stage Cooling with ECM Blower

- **M1200 - 12 YEAR ALL PARTS LIMITED WARRANTY**
- **M1200 WITH UPGRADED WARRANTY PACKAGE - 12 YEAR ALL PARTS & LABOR LIMITED WARRANTY**
- **Both the standard and upgraded limited warranty packages offer a 12 Year Dependability Promise to replace the entire unit, if the unit's major component (heat exchanger or compressor) fails within the first 12 years of operation, to the original owner.**
- **Product registration (by consumer or dealer) required for 12-year Warranty and Dependability Promise within a limited period of time after the installation. See current warranty document for details. This can be viewed at www.maytagvac.com or ask your sales representative.**
- **Dealer is responsible for registration of labor portion of warranty.**
- **Also when registered, this product is upgraded to a limited lifetime heat exchanger warranty.**

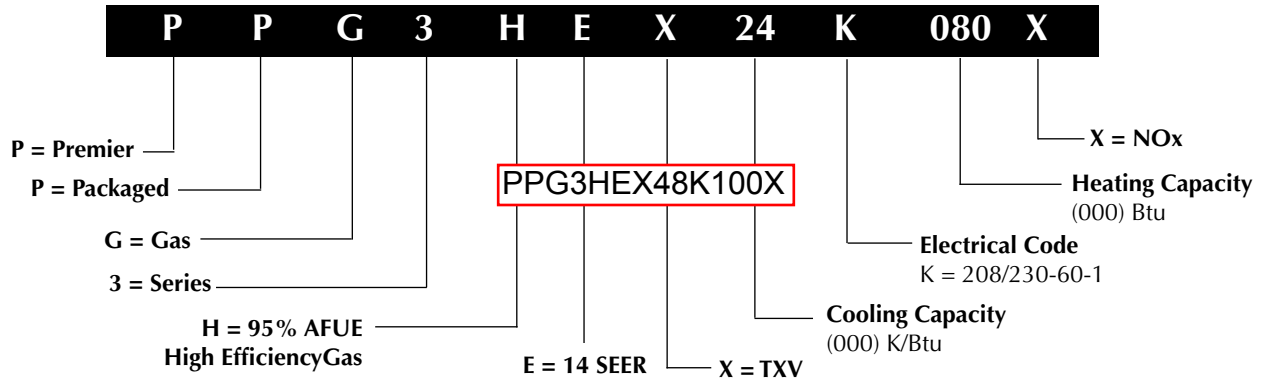
**Dependable Quality
Warranty**

These single packaged gas/electrics are high efficiency self-contained cooling units that can be installed at ground level on a slab. The unit design makes installations simple in all applications. Units are ETL and ETLc listed.

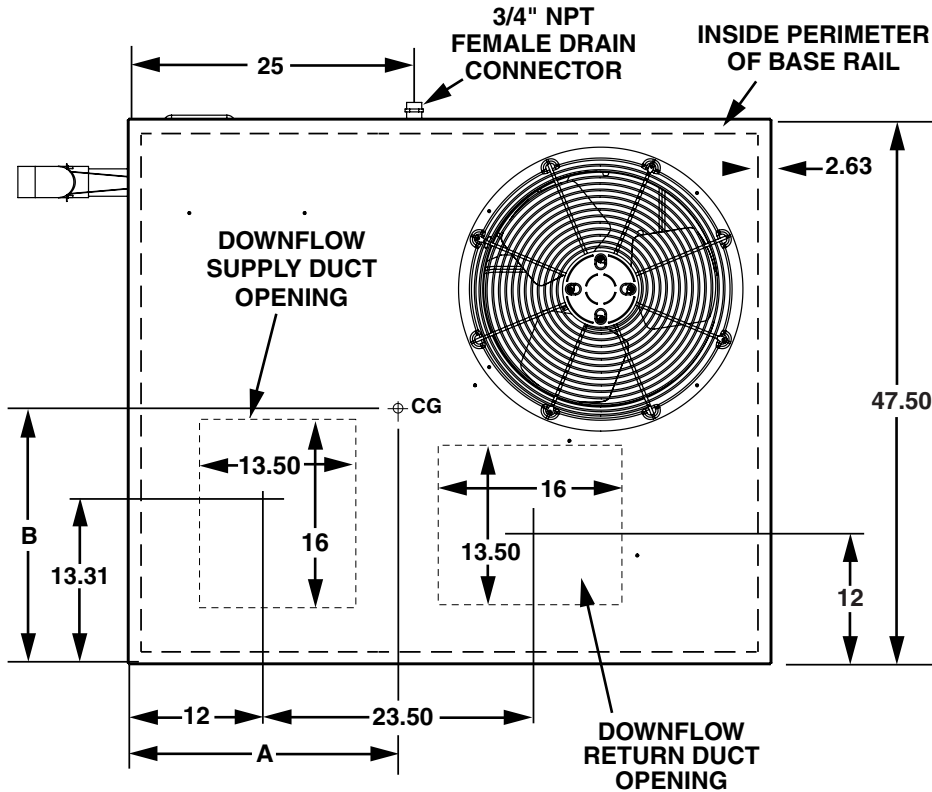
Features and Benefits

- **Copeland Scroll Compressor:** State of the art compressor is standard equipment.
- **Micro-Channel Coils:** Both indoor and outdoor all aluminum coils are designed to optimize heat transfer, minimize size and cost, and increase durability and reliability.
- **Wire guard coated with earth friendly epoxy and plastic mesh hail guard:** A guard that will never rust and protects the units coil from being damaged.
- **Easy Compressor and Control Access:** Designed to make servicing easier for the contractor, access panels are provided to all controls and the compressor from the side of the unit. Easy access to the evaporator coil for cleaning and general maintenance.
- **R-410A Refrigerant:** Earth friendly non-ozone depleting refrigerant.
- **Compressor Sound Blanket:** Is standard equipment.
- **Permanently Lubricated Condenser Motor:** A heavy duty PSC motor for long lasting reliability and quiet operation. Requires no maintenance and is completely protected from rain and snow.
- **Thermostatic Expansion Valves:** Factory installed externally equalized thermostatic expansion valves provides precise refrigerant control under varying load conditions.
- **Hi/Low Pressure Switches:** Ensure long compressor life.
- **Externally Accessible, Service Ports:** Quick access to refrigeration system
- **Liquid Line Filter Driers:** Factory installed at a convenient location for service.
- **Quiet Operation and Low Vibration:** Swept-wing fan blade combined with custom Venturi condenser fan.
- **2-Stage Heat Operation:** Featuring a 2 stage gas valve, 2 speed inducer motor, and 2 speed blower control.
- **Choice of Heating Control:** Two stage thermostat or single stage heating thermostat with on the control board timing of a 10 minute delay for second stage of heat.
- **Tubular primary heat exchanger:** Heavy gauge aluminized steel heat exchanger.
- **Stainless Steel secondary heat exchanger:** Assures a long life.
- **100% fired and tested:** All units and each component are tested on the manufacturing line.
- **30 second blower delay:** At start-up assures a warm duct temperature at start-up. Adjustable blower off settings (60, 90, 120, and 180 seconds)
- **30 second post purge:** Increases life of heat exchanger.
- **Hot Surface igniter:** Innovative application of an appliance type igniter with a 20 year history of reliability.
- **SmartStart™ Control Board:** Provides extended life to igniters using hot surface ignition technology. Programmed to learn the heat-up characteristics of the igniter, then adapt the ignition time to the characteristics of the furnace so the igniter is energized appropriately.
- **LP Convertible:** Simple burner orifice and regulator spring change for ease of convertibility.
- **Designed using Galvanized Steel:** With a polyester urethane coat finish. The 950 hour salt spray finish is 1.5 mil thick and resists corrosion 50% better than comparable units.
- **Corrosion-Resistant Drain Pan:** Quickly drains away evaporator condensate.
- **Embossed Bottom Pan:** Keeps blower component compartment dry.
- **Smaller Panels, Great Fit and Finish, Total Seal:** Well-designed, quality construction.
- **One Piece Top Pan:** With drip edge on top panels whisks away rainwater.
- **Low Voltage Transformer:** Includes 5 Amp fuse to protect low voltage circuit.
- **Energy Efficient Brushless DC Blower Motor:** ECM constant torque in all models.
- **Horizontal Air Delivery:** To accommodate ground mount horizontal applications.
- **Heavy-Gauge, Full Perimeter Base Rails:** Facilitates forklift handling and curb mounting.
- **Removable Top Grille Assembly:** Allows ease of service to the fan motor.
- **Duct Flanges:** Reduce installation costs.
- **Proven, Industry Standard Components:** Easier service and availability.

IDENTIFICATION CODE



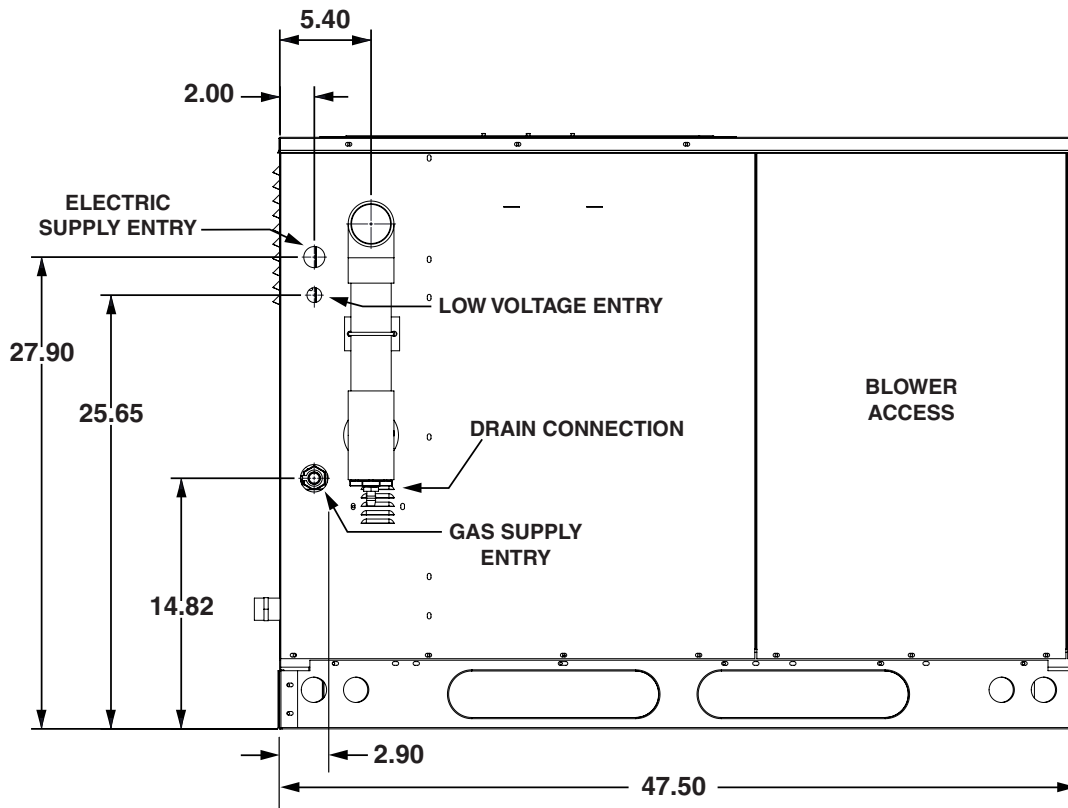
DIMENSIONS



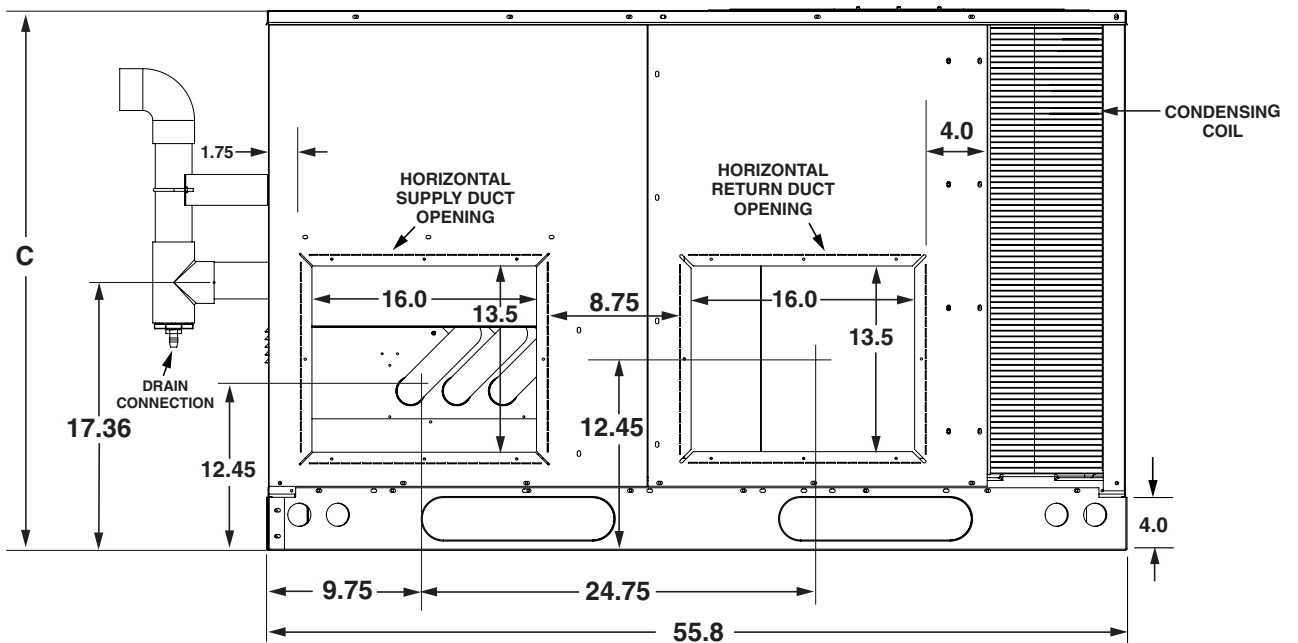
Top View

Model Number PPG3HE	Unit Weight	Shipping Weight	Center of Gravity		Unit Dimensions (inches)			
			A	B	Height with base rail	Height without base rail	Length	Width
PPG3HEX24K060X	380	410	26.5	26.5	35	31.3	55.8	47.5
PPG3HEX30K060X	384	414	26.5	26.5	35	31.3	55.8	47.5
PPG3HEX36K080X	387	417	26.5	26.5	35	31.3	55.8	47.5
PPG3HEX42K080X	407	438	27.0	26.5	39	35.3	55.8	47.5
PPG3HEX48K100X	449	480	27.5	26.5	43	39.3	55.8	47.5
PPG3HEX60K100X	485	518	28.0	26.5	47	43.3	55.8	47.5

DIMENSIONS (CONTINUED)



Side View



Back View

SPECIFICATIONS

SPECIFICATIONS AND ELECTRICAL DATA SINGLE PHASE

Model PPG3HE	X24K060X	X30K060X	X36K080X	X42K080X	X48K100X	X60K100X
Performance Data						
Cooling Capacity (Net) - (Btuh)(1)	24,000	29,000	36,000	42,000	47,000	56,000
Efficiency - Cooling - S.E.E.R. (1)	14.00	14.00	14.00	14.00	14.00	14.00
Efficiency - Cooling - E.E.R.(2)	12.00	11.50	11.50	11.00	11.00	11.00
High Heating Input (Btuh)	60,000	60,000	80,000	80,000	100,000	100,000
High Heating Output (Btuh)	57,000	57,000	76,000	76,000	95,000	95,000
Low Heating Input (Btuh)	39,000	39,000	52,000	52,000	65,000	65,000
Low Heating Output (Btuh)	37,050	37,050	49,400	49,400	61,750	61,750
Heating - A.F.U.E	95.0%	95.0%	95.0%	95.0%	95.0%	95.0%
Electrical Rating - 60 Hz.						
Phase	1	1	1	1	1	1
Operating Voltage	187-253	187-253	187-253	187-253	187-253	187-253
Minimum Circuit Ampacity - (MCA)	22.4	26.5	30.1	34.5	38.8	45.2
Max. Overcurrent Protection - (MOP)	35	40	45	55	60	70
Compressor Data						
Compressor (Scroll)	ZP21K5E	ZP25K5E	ZP31K5E	ZP39K5E	ZP42K5E	ZP51K5E
Volts	208/230	208/230	208/230	208/230	208/230	208/230
Rated Load Amps	12.8	15.7	18.6	22.1	24.3	29.4
Lock Rotor Amps	58	73	79	109	117	134
Indoor Blower Data						
Wheel - Diameter x Width	11" x 8"	11" x 8"	11" x 8"	11" x 10"	11" x 10"	11" x 10"
Motor - HP / Type	3/4 - ECM	3/4 - ECM	3/4 - ECM	3/4 - ECM	1 - ECM	1 - ECM
Motor Control	Constant Torque					
Motor Amps @ 208V - 230 V	5.4 - 5.0	5.4 - 5.0	5.4 - 5.0	5.4 - 5.0	7.00 - 6.50	7.00 - 6.50
Outdoor Fan						
Motor - HP / Type	1/5 - PSC	1/4 - PSC	1/4 - PSC	1/4 - PSC	1/4 - PSC	1/4 - PSC
Motor - RPM	825	1,100	1,100	1,100	1,100	1,100
Motor Amps	1.0	1.5	1.5	1.5	1.5	1.5
Fan Diameter	20"	20"	20"	20"	24"	24"
Refrigerant Charge (R410A) - oz.	59	59	58	64	69	83
High Pressure Switch (PSIG)	Cut Out: 650 +/- 15 Cut In: 460 +/- 15					
Loss of Charge Switch (PSIG)	Cut Out: 5 +/- 5 Cut In: 20 +/- 5					
Gas Supply Size	1/2"					
Sound Rating	71	76	78	78	77	78

Footnotes:

1. Certified in accordance with A.H.R.I. Standard 210/240 at 95°F Outdoor DB and 80°F DB / 67°F WB evaporator entering air at minimum external duct static pressures allowed by the standard.
2. E.E.R. - Energy Efficiency Ratio (Btu/Watt). E.E.R. is determined @ 95°F Outdoor DB & 80°F DB / 67°F WB Air Indoor
S.E.E.R. - Seasonal Energy Efficiency Rating.
A.F.U.E. - Annual Fuel Utilization Efficiency.

PACKAGE GAS/ELECTRIC EXPANDED RATINGS

PPG3HEX24K

O.D.T			65°F			75°F			85°F			95°F			105°F			115°F		
CFM	E.D.B.	E.W.B.	T.C.	S.C.	K.W.	T.C.	S.C.	K.W.	T.C.	S.C.	K.W.	T.C.	S.C.	K.W.	T.C.	S.C.	K.W.	T.C.	S.C.	K.W.
700	80	62	30.6	18.9	1.31	29.0	18.3	1.45	27.3	17.6	1.62	25.5	16.8	1.83	23.6	15.8	2.07	21.6	14.8	2.33
	80	67	33.8	15.6	1.32	32.1	14.9	1.46	30.4	14.1	1.63	28.5	13.1	1.83	26.6	12.1	2.06	24.5	10.9	2.33
	80	72	36.0	12.0	1.33	34.4	11.2	1.46	32.6	10.2	1.63	30.6	9.2	1.83	28.6	8.0	2.06	26.5	6.7	2.32
	75	62	29.9	14.9	1.30	28.3	14.3	1.44	26.6	13.6	1.62	24.8	12.7	1.82	22.9	11.8	2.06	20.8	10.8	2.33
800	80	62	27.7	22.8	1.35	26.1	22.2	1.49	24.4	21.5	1.67	22.6	20.7	1.87	20.7	19.8	2.11	18.6	18.6	2.38
	80	67	30.8	19.5	1.36	29.2	18.8	1.50	27.5	18.0	1.67	25.6	17.0	1.87	23.6	16.0	2.11	21.6	14.8	2.37
	80	72	33.1	15.9	1.37	31.4	15.1	1.51	29.6	14.2	1.67	27.7	13.1	1.87	25.7	11.9	2.10	23.6	10.7	2.37
	75	62	27.0	18.8	1.35	25.4	18.2	1.49	23.7	17.5	1.66	21.9	16.7	1.87	20.0	15.7	2.10	17.9	14.7	2.37
900	80	62	27.4	24.7	1.38	25.8	24.1	1.52	24.1	23.4	1.70	22.3	22.3	1.90	20.4	20.4	2.14	18.4	18.4	2.41
	80	67	30.6	21.4	1.39	28.9	20.7	1.53	27.2	19.9	1.70	25.3	18.9	1.90	23.4	17.9	2.14	21.3	16.7	2.40
	80	72	32.8	17.8	1.40	31.2	17.0	1.54	29.4	16.1	1.70	27.5	15.0	1.90	25.4	13.8	2.13	23.3	12.6	2.40
	75	62	26.7	20.7	1.38	25.1	20.1	1.52	23.4	19.4	1.69	21.6	18.6	1.90	19.7	17.6	2.13	17.6	16.6	2.40

PPG3HEX30K

O.D.T			65°F			75°F			85°F			95°F			105°F			115°F		
CFM	E.D.B.	E.W.B.	T.C.	S.C.	K.W.	T.C.	S.C.	K.W.	T.C.	S.C.	K.W.	T.C.	S.C.	K.W.	T.C.	S.C.	K.W.	T.C.	S.C.	K.W.
900	80	62	32.5	26.5	1.72	30.8	25.8	1.84	28.8	25.0	2.02	26.5	24.3	2.25	23.9	23.5	2.53	21.1	21.1	2.87
	80	67	32.1	24.2	1.46	30.7	23.4	1.55	28.9	22.5	1.70	26.8	21.6	1.90	24.5	20.6	2.15	21.8	19.6	2.45
	80	72	33.9	17.1	1.89	32.6	16.1	1.95	31.1	15.0	2.07	29.2	14.0	2.24	27.1	12.9	2.46	24.6	11.7	2.73
	75	62	37.1	20.7	2.35	34.3	20.1	2.36	31.2	19.5	2.42	27.8	18.8	2.53	24.1	18.1	2.70	20.1	17.4	2.92
1100	80	62	35.8	27.1	2.22	34.1	26.4	2.35	32.1	25.7	2.53	29.8	24.9	2.76	27.2	24.1	3.04	24.4	23.3	3.38
	80	67	35.4	24.9	1.96	34.0	24.0	2.06	32.2	23.1	2.20	30.1	22.2	2.40	27.8	21.3	2.66	25.1	20.3	2.96
	80	72	37.2	17.7	2.40	35.9	16.7	2.46	34.4	15.7	2.57	32.5	14.6	2.74	30.4	13.5	2.97	28.0	12.4	3.24
	75	62	40.5	21.3	2.86	37.6	20.7	2.87	34.5	20.1	2.93	31.1	19.4	3.04	27.4	18.7	3.21	23.5	18.0	3.43
1200	80	62	35.7	28.5	2.12	34.0	27.8	2.25	32.0	27.1	2.43	29.7	26.3	2.66	27.1	25.5	2.94	24.3	24.3	3.28
	80	67	35.3	26.2	1.86	33.9	25.4	1.96	32.1	24.5	2.10	30.0	23.6	2.30	27.7	22.6	2.56	25.0	21.7	2.86
	80	72	37.1	19.1	2.30	35.8	18.1	2.36	34.3	17.0	2.47	32.4	16.0	2.64	30.3	14.9	2.86	27.9	13.8	3.14
	75	62	40.4	22.7	2.76	37.6	22.1	2.77	34.4	21.5	2.83	31.0	20.8	2.94	27.3	20.1	3.11	23.4	19.4	3.33

PPG3HEX36K

O.D.T			65°F			75°F			85°F			95°F			105°F			115°F		
CFM	E.D.B.	E.W.B.	T.C.	S.C.	K.W.	T.C.	S.C.	K.W.	T.C.	S.C.	K.W.	T.C.	S.C.	K.W.	T.C.	S.C.	K.W.	T.C.	S.C.	K.W.
1050	80	62	38.3	31.8	2.16	36.7	31.3	2.35	34.7	30.5	2.58	32.3	29.5	2.88	29.5	28.3	3.22	26.2	26.2	3.61
	80	67	38.7	23.6	2.18	37.2	22.9	2.36	35.3	22.0	2.60	32.9	20.9	2.90	30.2	19.6	3.24	27.0	18.1	3.63
	80	72	44.2	21.5	2.19	42.7	20.7	2.38	40.9	19.6	2.62	38.6	18.4	2.92	35.9	17.0	3.26	32.8	15.4	3.65
	75	62	37.1	28.3	2.12	35.9	27.5	2.32	34.3	26.5	2.56	32.2	25.4	2.87	29.8	24.0	3.22	26.9	22.5	3.62
1200	80	62	41.3	36.3	2.25	39.7	35.7	2.44	37.7	34.9	2.68	35.3	33.9	2.97	32.5	32.5	3.31	29.2	29.2	3.70
	80	67	41.7	28.0	2.27	40.2	27.3	2.46	38.3	26.4	2.70	35.9	25.3	2.99	33.2	24.0	3.33	30.0	22.5	3.72
	80	72	47.2	25.9	2.28	45.7	25.1	2.47	43.9	24.1	2.71	41.6	22.8	3.01	38.9	21.4	3.35	35.8	19.8	3.74
	75	62	40.1	32.7	2.21	38.9	31.9	2.41	37.3	31.0	2.66	35.2	29.8	2.96	32.8	28.5	3.31	29.9	26.9	3.71
1350	80	62	38.9	33.6	2.37	37.3	33.0	2.56	35.3	32.2	2.80	32.9	31.2	3.09	30.1	30.1	3.43	26.8	26.8	3.83
	80	67	39.4	25.3	2.39	37.8	24.6	2.58	35.9	23.7	2.82	33.6	22.6	3.11	30.8	21.3	3.45	27.6	19.8	3.85
	80	72	44.8	23.2	2.41	43.4	22.4	2.60	41.5	21.4	2.84	39.2	20.1	3.13	36.5	18.7	3.47	33.4	17.1	3.87
	75	62	37.7	30.0	2.33	36.5	29.2	2.53	34.9	28.3	2.78	32.9	27.1	3.08	30.4	25.8	3.43	27.6	24.2	3.84