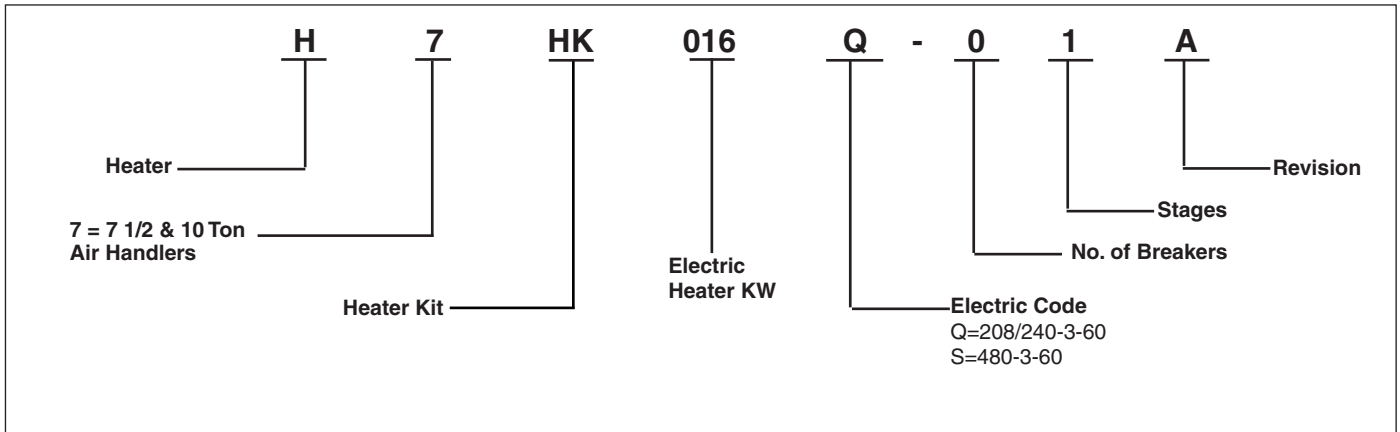


## MODEL IDENTIFICATION CODE



## 3 PHASE ELECTRIC HEAT KITS

SKU	MODEL
559428	H7HK010Q-01
559429	H7HK010S-01
559430	H7HK016Q-01
559431	H7HK016S-01
559432	H7HK026Q-01
559433	H7HK026S-01
559434	H7HK036Q-01
559435	H7HK036S-01

Q = 208/240 Volt  
S = 460 Volt

## FEATURES AND BENEFITS - H7HK

- These are 3 phase heaters and mount in the supply duct external to the air handler.
- They are available in 10, 16, 26, and 36 kW with volt-ages of 208/240 or 480.
- All are set up for single stage operation.
- These are full featured UL listed heaters with line voltage contactors, 24 volt auto reset limit, line voltage manual reset limits, low and high voltage terminal blocks, and an air flow switch.