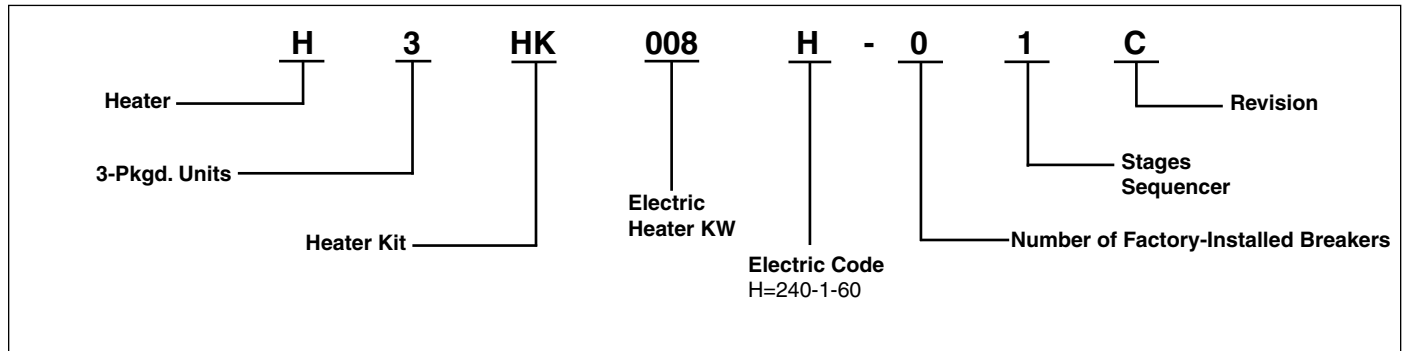


# HEATER KIT MODEL IDENTIFICATION CODE



# HEATER KIT APPLICATION MATRIX

TONNAGE & PHASE	UNIT	NOMINAL KW	HEATER KIT MODEL	HEATER KIT PART NUMBER	BREAKERS REQUIRED
3 Ton, Single Phase	P8SE	5	H3HK005H-01C	917166C	None
		8	H3HK008H-01C	917167C	None
		10	H3HK010H-01C	917168C	None
		15	H3HK015H-01C	917169C	2
		15	H3HK015H-21C	917172C	None
4 Ton, Single Phase	P8SE	5	H3HK005H-01C	917166C	None
		8	H3HK008H-01C	917167C	None
		10	H3HK010H-01C	917168C	None
		15	H3HK015H-01C	917169C	2
		15	H3HK015H-21C	917172C	None
		20	H3HK020H-01C	917170C	2
5 Ton, Single Phase	P8SE	20	H3HK020H-21C	917173C	None
		5	H3HK005H-01C	917166C	None
		8	H3HK008H-01C	917167C	None
		10	H3HK010H-01C	917168C	2
		15	H3HK015H-01C	917169C	2
		15	H3HK015H-21C	917172C	None
5 Ton, Single Phase	P8SE	20	H3HK020H-01C	917170C	3
		20	H3HK020H-21C	917173C	1