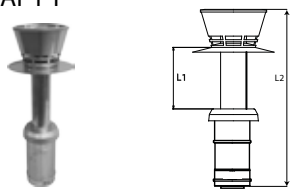


Vent Pipe Rain Cap

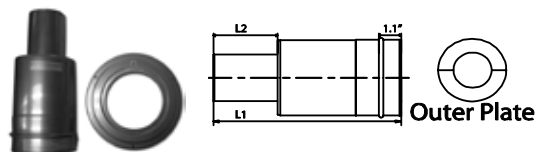
Stainless Steel Double-Wall
CRCAI-1-F



Model No.	Venting Series	L1	L2	Qty / Box
CRCAI-1-F	Concentric SUS	10.6"	26.5"	1

Straight Termination w/ Birdscreen

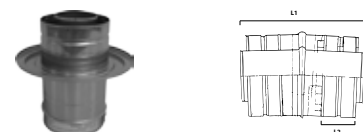
Stainless Steel Double-Wall Vent Pipe
CVT-S



Model No.	Venting Series	L1	L2	Qty / Box
CVT-S	Concentric SUS	11.0"	3.9"	6

Vent Pipe w/ Wall Flange

Stainless Steel Double-Wall
CWF-F



Model No.	Venting Series	L1	L2	Qty / Box
CWF-F	Concentric SUS	2.0"	8.7"	6

Builder's Edition Wall Thimble

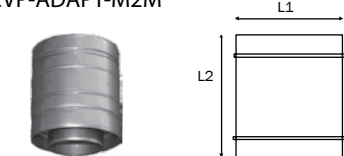
Galvalume Double-Wall Vent Pipe
CWT-H



Model No.	Venting Series	L1	L2	Qty / Box
CWT-H	Concentric	Min. 3.5"	1.5"	1

Concentric Vent Pipe Adapter Male to Male

Stainless Steel Double-Wall
CVP-ADAPT-M2M

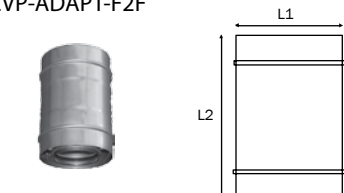


Model No.	Venting Series	L1	L2	Qty / Box
CVP-ADAPT-M2M	Concentric	5"	5.5"	1

Newest Heater Models. Version 1 venting

Concentric Vent Pipe Adapter Female to Female

Stainless Steel Double-Wall
CVP-ADAPT-F2F

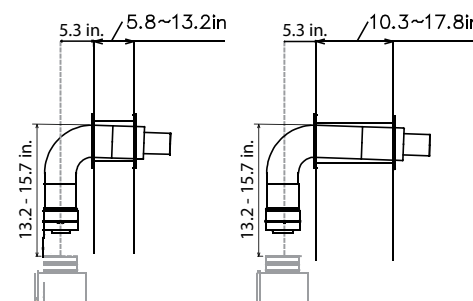


Model No.	Venting Series	L1	L2	Qty / Box
CVP-ADAPT-F2F	Concentric	5"	7.5"	1

Prior Heater Models. Version 2 venting

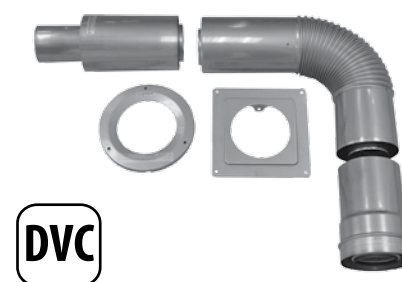
4" SUS	For NR98 Series	5" SUS	For NC380 Series
		Concentric SUS	For DVC Series

Horizontal- Kits

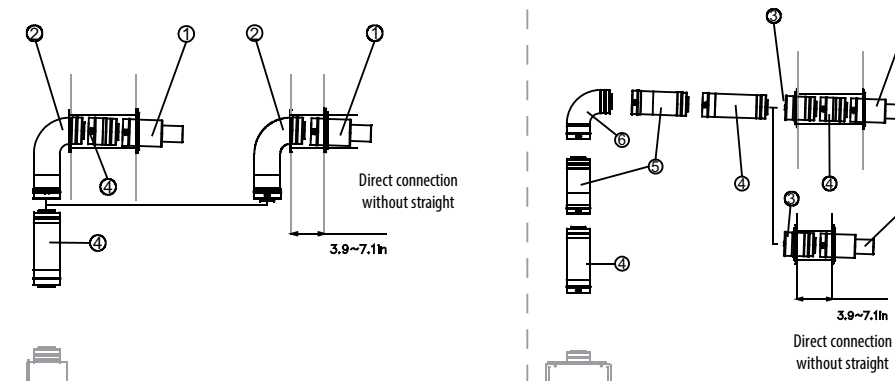


Standard Wall Kit
Includes inner & outer plates
CVK-H-F
Wall Thickness Range
From 5.8"-13.2"

Thick Wall Kit
Includes inner & outer plates
CVK-H2-F
Wall Thickness Range
From 10.3"-17.8"



Horizontal- Build Your Own



No	1	2	3	4	5	6
Description	Straight Bird Screen w/ Outer Plate	90° Adj w/ Wall Flange	Straight Vent Pipe w/Wall Flange	Straight	Adjustable	45/ 90 Degree
Part Number	CVT-S	CWF-90ELB	CWF-F	CVP-4/12/24/36STR	CVP-11/16/40ADJ	CVP-45/90ELB

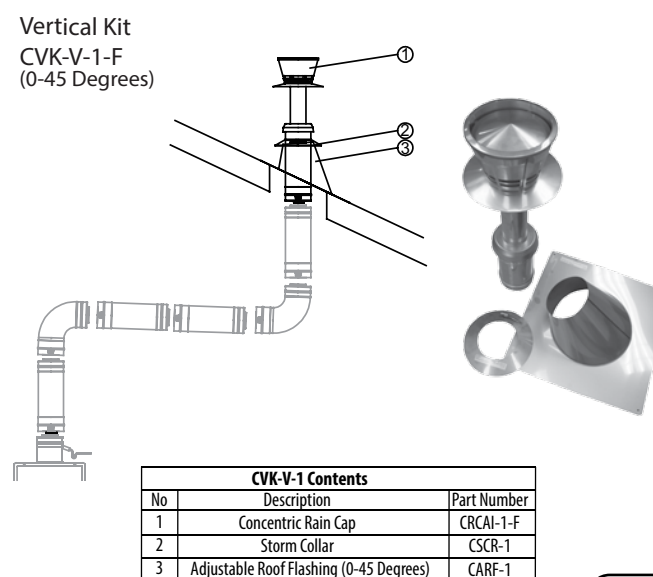
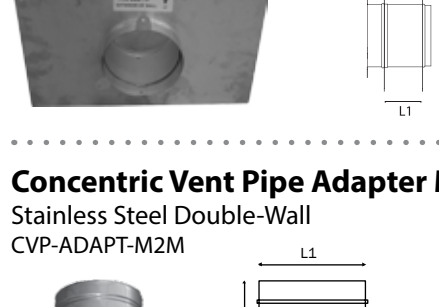
Vent Pipe Horizontal Kit
Stainless Steel Double-Wall
CVK-H

Model No.	Venting Series	Qty/Box
CVK-H-F	Concentric SUS*	1
CVK-H2-F	Concentric SUS**	1

* (5.8" - 13.2" Wall Thickness)
** (10.3" - 17.8" Wall Thickness)

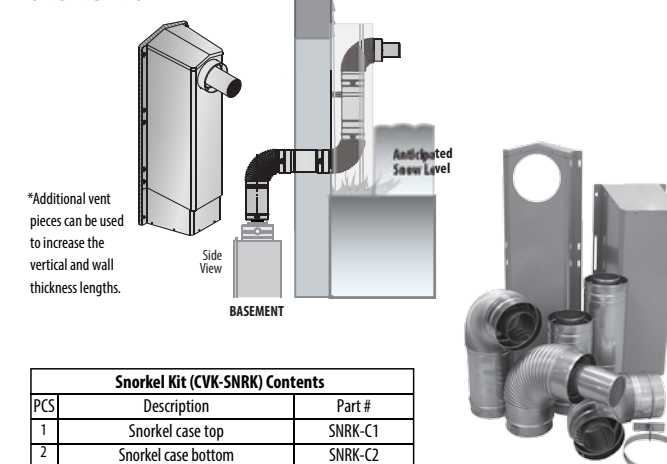
Vertical Kit

CVK-V-1-F
(0-45 Degrees)



CVK-V-1 Contents		
No	Description	Part Number
1	Concentric Rain Cap	CRCAI-1-F
2	Storm Collar	CSCR-1
3	Adjustable Roof Flashing (0-45 Degrees)	CARF-1

Snorkel Kit



*Additional vent pieces can be used to increase the vertical and wall thickness lengths.

Snorkel Kit (CVK-SNRK) Contents		
PCS	Description	Part #
1	Snorkel case top	SNRK-C1
2	Snorkel case bottom	SNRK-C2
3	Concentric 11" adjustable vent pipe	CVP-11ADJ
4	Concentric 16" adjustable vent pipe	CVP-16ADJ
5	Concentric snorkel termination elbow	CVT-SNRK-90ELB
6	Concentric 90 degree elbow	CVP-90ELB
7	Concentric 90 degree adjustable elbow	CVP-90ADJELB
8	Adjustable support strap	SSS-3ADJ
9	Screw set	S-12

Stainless Steel Double-Wall
Vent Pipe Horizontal Snorkel Kit
CVK-SNRK-F

Model No.	Venting Series	Qty/Box
CVK-SNRK-F	Concentric SUS	1

* adapter needed